

# 单座罐底阀

Tank bottom valve



国家高新技术企业 浙江省著名商标  
[www.cndonjoy.com](http://www.cndonjoy.com)



东正一直致力于重大技术进步，是您值得信赖的事业伙伴！  
Donjoy committing to major technological advances, is your reliable business partner!

0.1	自控调节阀+控制器 Automatic control regulating valve +Control head
0.2	生物制药隔膜阀 Biopharmaceutical diaphragm valve
0.3	高洁净泵 High purity pumps
0.4	防混蝶阀+蝶阀 Mixing proof butterfly valve +Butterfly valve
0.5	球阀 Ball valve
0.6	截止换向阀+防混阀+罐底阀 Divert seat valve+Mixing proof valve +Tank bottom valve
0.7	角座阀+截止阀 Angle seat valve+Globe valve
0.8	止回阀+恒压阀+安全阀+减压阀 Check valve+constant pressure valve+safety valve +air release valve
0.9	清洁技术+取样阀+视镜+照明技术 Clean technology+sample valve+sight glass +lighting technology
0.10	过滤器+人孔 Filter+man hole cover(manway)
0.11	卫生管件 Sanitary fittings ASME BPE DIN11852 B94825 SMS ISO IDF 3A



注意：  
目录技术资料仅供设计参考，  
设计更新和技术升级恕不另行通知！

不断革新的技术、日新月异的市场发展和客户需求是当今我们面临的巨大挑战。面对这些挑战我们信心十足，因为东正高度专业化的产品和技术创新，是我们未来将以更高、更优的产品来满足不断增长的市场需求。

Technological innovation, rapid development of the market and customer needs are the greatest challenges facing us today. Facing with these challenges we are confident, because of highly professional products and technological innovation, we will meet the growing demand of market and customer with our better and better products.

法律声明：  
目录样册版本属东正所有，如有抄袭东正将追究其法律责任和经济赔偿。  
东正众多技术设计，都具有专利保护，如有抄袭，东正必将追究法律责任和经济赔偿。

# 领先源于创新 创新源于专业

## 东正的专业与品质的邂逅源于创新的精神



现代化工厂已经投产，期待您的光临！  
温州空港经济园区生产基地  
Wenzhou airport economic zone production base

占地面积29000m<sup>2</sup>，总投资1.2亿元，新引进ABB工业机器人、日本马扎克5轴加工中心、ABB机器人抛光设备。

Covering an area of 29000 m<sup>2</sup>, with total investment after construction is expected to 120 million yuan, introduces new ABB industrial robot, Japan mazar-e-sharif grams of five axis machining center, ABB machine Polishing equipment.

东正创立于1993年，注册资金5508万，是一家专注于研发高品质PID过程控制器、阀门定位器、流量控制器，阀门控制单元，高洁净过程控制阀、智能自控阀，高洁净泵、高洁净管材和管道配件。公司高度专业化的产品和技术专注于生物制药、食品饮料、酿酒、精细化工等工业领域。东正众多的创新解决方案，对满足全球，尤其是新兴市场不断增长生物制药和食品饮料行业的需求起到了积极作用。

东正制造的产品母材料、加工技术、焊接技术、表面处理等技术指标均已达到国内外先进水平。且符合ASME BPE、EHEDG、FDA、3A等一系列国际标准和规范要求，先后通过了由德国TÜV机构实施的欧盟承压设备指令(PED-97/23/EC)和(MD-06/42/EC)认证、美国3A机构实施的3-A卫生标准认证、中国安全阀特种制造设备(TS)许可证和中国质量认证中心CQC ISO9001:2008质量管理体系认证等多项国际权威认证。

东正凭借先进的技术、优异的品质和完善的售后服务体系，先后被评定为国家高新技术企业，省著名商标、省科技型企业、创新型企业、专利示范企业、研发中心企业，守合同重信用AAA企业等众多荣誉。



# 关于东正 About DONJOY

Donjoy was built up in 1993, with registered capital RMB 55,08 millions. We focus on developing high quality PID process controller, the valve positioner, the flow controller, the valve control unit, high purity process control valve, intelligent self-control valve, high purity pump, high purity tubing fitting and pipeline accessories. Donjoy's products and technologies are widely used in biopharmaceutical, food, drink, wine fine chemicals and other industrial fields. Donjoy's innovation solutions meet the growing demand of the industry of biopharmaceutical, food and beverage from the whole world, especially the emerging market.

Raw material, processing technology, welding technology, surface treatment from Donjoy have achieved advanced levels of domestic and foreign market. Donjoy productions according to ASME BPE, EHEDG, FDA and 3A standard, get certificate of PED-97/23/EC and MD-06/42/EC issued by TUV, 3A issued by 3A organization, TS licence and ISO9001:2008.

Donjoy with advanced technology, excellent quality and perfect after-sales service system, has been assessed as the national high-tech enterprises, the Provincial Famous Trademark, the Provincial Science and Technology Enterprises, Innovative Enterprises, Patent Model Enterprises, R & D Center, AAA Credit Enterprises.



创立于2005年现代化工厂  
温州滨海经济开发区生产基地  
Wenzhou binhai economic development zone production base

**DONJOY high-purity valve, pump, control system, pipe and accessories, provide the most excellent solution for various business scopes.**



Biopharmaceutical



Dairy



Food



Beverage



Water Processing



Brewing



Fine Chemical



# 制造与检验 Manufacturing and testing



机器人生产线 Robot production line

全自动弯管设备 Automatic pipe bending equipment

DONJOY以科学技术是第一生产力，也是企业核心竞争力，只有不断投入核心技术研发和创新，不断追求卓越，精益求精、以先进生产设备，严格的质量管理体系，精密的生产检测流程，保证每一款产品优良的性能。

Science and technology constitute a primary productive force, also the core competitive strength of the enterprise. Continuously intensifying the research, development and innovation of core technology, pursuing prominence and keeping improving, ensuring the excellent quality and performance of every single product by advanced production equipment, strict quality control and precise production and inspection procedures.

# 荣誉与资质

## Honor and qualification

	<p><b>3A</b></p> <p>东正是美国3A认证组织的金牌赞助商，3A是一个自愿组织，致力于维护公共卫生和奶制品产品质量通过独特的行业监管程序的设备，用于处理乳制品的卫生标准3A认证。 东正通过认证产品，阀门系列55-02-1783、64-00-1784、84-02-1786、85-03-1787、53-06-1782、54-02-1580、68-00-1785，管件(63-03)证书号(1581)等多种规格型号。</p>
	<p><b>PED/97/23/EC &amp; MD/06/42EC</b></p> <p>东正通过了TUV 欧共体压力设备97/23/EC质量保证模式H&amp;材料(管件)制造认证。 阀门证书 NO.CE 0036 泵类证书 NO.705201402401-00</p>
	<p><b>FDA177.2600</b></p> <p>东正生产的阀门和泵以及流体设备等，与物料接触密封圈全部通过或符合美国食品和药品管理局和联邦法规第21条即，CRF 21 FDA177.2600和FDA177.1550认证，其涵盖： EPDM VITON(FPM) SILICON HNBPTFE橡胶塑料材料等。</p>
	<p><b>ISO9001/2008</b></p> <p>东正通过中国质量认证中心CQC，ISO9001-2008/GB/T19001-2008企业质量管理体系认证。其证书编号: 00108Q24215R1M/3302</p>
	<p><b>卫生许可证</b></p> <p>东正通过了省卫生厅卫生阀门、卫生管件等检验，且获得了其颁发的证书，其编号: So083。 其许可证为国家出台的生活饮用水卫生监督管理方法证书。</p>
	<p><b>高新技术企业</b></p> <p>东正通过多年发展和技术创新已获得了多项国家发明专利，100多项实用新型专利，现已成为国家高新技术企业。</p>
	<p><b>浙江省著名商标</b></p> <p>东正09年获得了温州市著名商标，2012年获得了浙江省著名商标。</p>

DONJOY不但拥有以上认证和荣誉，且被评定为省科技型、创新型、专利示范、研发中心、守合同守信用企业等众多的荣誉证书。

# 罐底阀

## Tank bottom valve

### 应用

该阀门是气动操作的单座阀门，安装于罐底，用于乳品，食品加工，饮料生产，制药业和精强化工等行业。

### 操作原理

- ◆由单作用或是双作用的执行器操作。
- ◆压缩空气推动轴进行开或关阀门。
- ◆阀门构造：阀座开到阀门里面，由此避免了因为管道过压导致阀门意外开启情况。
- ◆和物料接触部分：AISI316L，AISI304
- ◆其他不锈钢部件：AISI 304
- ◆垫圈（标准）：EPDM根据FDA 177.2600
- ◆内表面处理： $Ra \leq 0.8 \mu m$
- ◆外表面处理：镜面抛光

### Applications

The tank bottom seat valve is a pneumatically operated single seat valve, assembled at the bottom of tank, used in dairy, food processing, beverage, pharmaceutical and fine chemical industries.

### Operation principle

- ◆ Operated by Air/Spring, Air/Air
- ◆ Compressed air push shaft to open and close valve
- ◆ Valve structure: Valve seat opens construction inside so that it can avoid pushing when pipeline is over pressure
- ◆ Parts in contact with the product: AISI 316L, AISI 304
- ◆ Other parts: AISI 304
- ◆ Gaskets (Standard): EPDM according to FDA 177.2600
- ◆ Internal surface finish:  $Ra \leq 0.8 \mu m$
- ◆ External surface finish: Mirror polish





## 设计和特点 Design and features

- ◆ 3A标准卫生级设计
- ◆ 完全的排水系统防止了产品的滞留
- ◆ 常闭型阀门(通过弹簧关闭)标准型
- ◆ 简单的转换一下气动, 就成为常开型阀门(通过弹簧开启)
- ◆ 即使在罐上焊接上法兰, 也可以进行360° 调节
- ◆ 开启的窗口用于观看检查轴的密封情况
- ◆ 松开卡箍就可以简单的拆卸
- ◆ 连接: 卡箍式
- ◆ 3A sanitary design
- ◆ Complete discharge system avoids retention
- ◆ Normally closed valve (closed by spring)–standard version
- ◆ Normally open valve (opened by spring) by a 180 degree rotating of the pneumatic actuator
- ◆ The valve seat opens into the tank to avoid accidental openings
- ◆ 360° adjustable body, even after welding the flange to the tank
- ◆ Open lantern for visual inspection of the shaft sealing
- ◆ Easy disassembly by loosening the clamp
- ◆ Connections: clamp

## 选项Options

- ◆ 手动操作
- ◆ 蒸汽消毒(如果轴需要杀菌)
- ◆ C-TOP控制单元
- ◆ 内表面处理:  $Ra \leq 0.5 \mu m$
- ◆ 垫圈: NBR或FPM(氟橡胶)
- ◆ 连接: DIN、卡箍、SMS、RJT、IDF...法兰
- ◆ 单作用和双作用执行器
- ◆ 位置传感器
- ◆ Manual
- ◆ Steam sterilized (if shaft sterilisation is required).
- ◆ C-TOP control unit.
- ◆ Internal surface finish:  $Ra \leq 0.5 \mu m$
- ◆ Gaskets: NBR or FPM
- ◆ Connections: DIN, Clamp, SMS, RJT, IDF...Flang
- ◆ Double and single acting actuator
- ◆ Air/Spring, Air/Air

## 技术规范Technical specifications

- ◆ 规格: DN25–DN100 1"–4"
- ◆ 工作温度:  $-10^{\circ}C$ 到 $+120^{\circ}C$ (EPDM)  $14^{\circ} F$   $248^{\circ} F$ +140 (SIP, max.30min)  $248^{\circ} F$
- ◆ 最大工作压力: 10bar/145PSI
- ◆ 压缩空气压力: 6–8bar/87–116PSI
- ◆ 气源连接: G1/8"(BSP)
- ◆ Size: DN25–DN100 1"–4"
- ◆ Working temperature:  $-10^{\circ}C$  to  $+120^{\circ}C$  (EPDM)  $14^{\circ} F$   $248^{\circ} F$  +140(SIP, max.30 min)  $248^{\circ} F$
- ◆ Max. Working pressure: 10bar/145PSI
- ◆ Compressed air pressure: 6–8bar/87–116PSI
- ◆ Air supply connections: G1/8"(BSP)





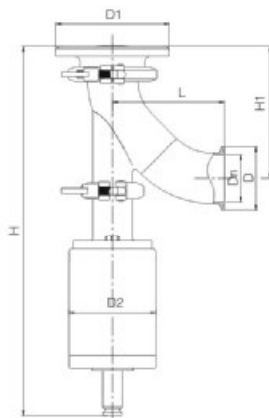
# 弯头式罐底阀

## Elbow tank bottom valve

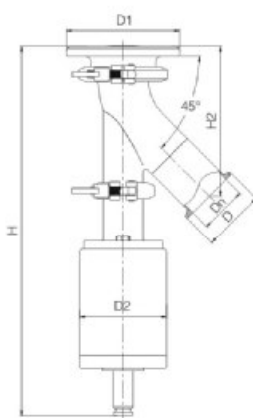


气量消耗(L/循环次)  
Air consumption (L/one cycle)

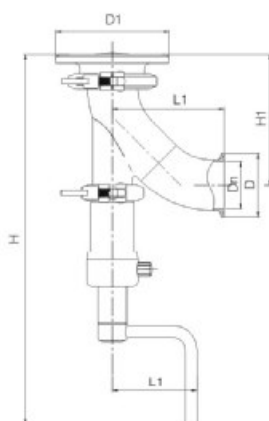
SIZE ΦD1	弹簧/气 Spring/air	气/气 Air/air
88	0.12	0.24
113	0.21	0.42
132	0.45	0.90
180	1.00	2.00



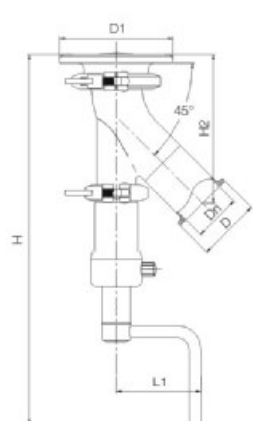
NO.VKD310Q1



NO.VKD410Q1



NO.VKD310S1



NO.VKD410S1

### INCH

SIZE	Dn	D	D1	D2	H	H1	H2	L
1.5"	35.1	50.5	115	88	374.5	140	152	142
2"	47.8	64	115	88	374.5	133.5	152	114
2.5"	59.5	77.5	130	113	432	155.5	168	133.5
3"	72.2	91	150	113	453	179	186	152

### DIN

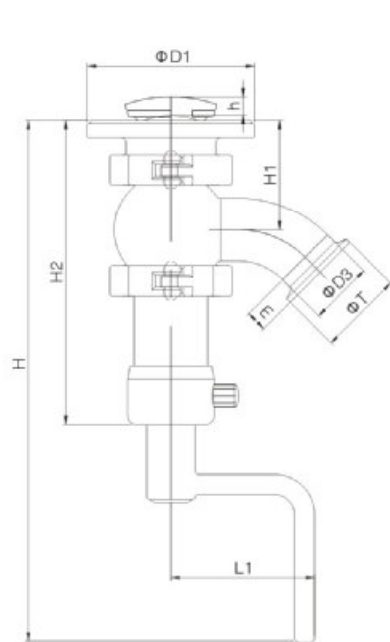
SIZE	Dn	D	D1	D2	H	H1	H2	L
DN40	37	50.5	115	88	374.5	140	152	142
DN50	49	64	115	88	374.5	133.5	152	114
DN65	66	91	150	113	432	155.5	168	133.5
DN80	81	106	150	113	453	179	186	152

### INCH

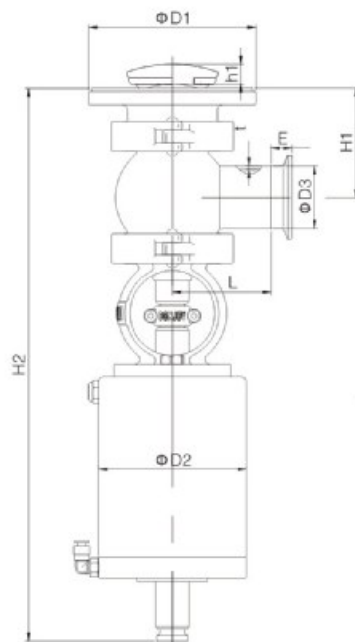
SIZE	Dn	D	D1	H	H1	H2	L	L1
1.5"	35.1	50.5	115	376.5	140	152	142	86
2"	47.8	64	115	376.5	133.5	152	114	86
2.5"	59.5	77.5	130	400	155.5	168	133.5	86
3"	72.2	91	150	424	179	186	152	86

### DIN

SIZE	Dn	D	D1	H	H1	H2	L	L1
DN40	37	50.5	115	376.5	140	152	142	86
DN50	49	64	115	376.5	133.5	152	114	86
DN65	66	91	150	400	155.5	168	133.5	86
DN80	81	106	150	424	179	186	152	86



NO.VKD210S1



NO.VKD110Q1



**罐底阀法兰连接(INCH)**  
**Tank bottom valve flange connection (DIN)**

SIZE	D1	D2	D3	H	H1	H2	h	h1	L	T	t	°
1 1/2'	100	88	38.1	328	65	330	12	15	60	50.5	1.5	12.7
2'	115	88	50.8	360	66.5	365	37	22	70	64	1.5	12.7
2 1/2'	130	113	63.5	364	75	404	26	25	80	77.5	2.0	12.7
3'	150	113	76.2	385	87.5	432	28	25	99	91	2.0	12.7
3.5'	150	113	76.2	385	87.5	432	28	25	99	91	2.0	12.7
4'	195	132	101.6	438	107.5	474	45	40	114	119	2.0	15.8

**罐底阀法兰连接(DIN)**  
**Tank bottom valve flange connection (DIN)**

SIZE	D1	D2	D3	H	H1	H2	h	h1	L	T	t	°
DN40	100	88	40	328	65	330	12	15	60	50.5	1.5	12.7
DN50	115	88	52	360	66.5	365	37	22	70	64	1.5	12.7
DN65	150	113	70	385	87.5	432	28	25	99	91	2.0	12.7
DN80	150	113	85	385	87.5	432	28	25	99	106	2.0	12.7
DN100	195	132	104	438	107.5	474	45	40	114	119	2.0	15.8



# CHINA DONJOY TECHNOLOGY CO.,LTD.

DONJOY looking forward to your visit! Your telecommunications!



中国·东正  
科技有限公司

地址: 温州龙湾区空港新区港富路25号  
总机: 0577-86990888  
传真: 0577-86998000

Add : No.25 Gang fu Road,  
kong gang new District,  
Longwan Wenzhou,China  
Tel: +86-577-86990888  
Fax: +86-577-86998000  
E-mail: donjoy@cndonjoy.com

[www.cndonjoy.com](http://www.cndonjoy.com)

法律声明:

目录样册版本属东正所有, 如有抄袭东正将追究其法律责任和经济赔偿。  
东正众多技术设计, 都具有专利保护, 如有抄袭, 东正必将追究法律责任和经济赔偿。