

人孔系列

Man hole cover(manway)



国家高新技术企业 浙江省著名商标
www.cndonjoy.com



东正一直致力于重大技术进步，是您值得信赖的事业伙伴！
Donjoy committing to major technological advances, is your reliable business partner!

0.1	自控调节阀+控制器 Automatic control regulating valve +Control head
0.2	生物制药隔膜阀 Biopharmaceutical diaphragm valve
0.3	高洁净泵 High purity pumps
0.4	防混蝶阀+蝶阀 Mixing proof butterfly valve +Butterfly valve
0.5	球阀 Ball valve
0.6	截止换向阀+防混阀+罐底阀 Divert seat valve+Mixing proof valve +Tank bottom valve
0.7	角座阀+截止阀 Angle seat valve+Globe valve
0.8	止回阀+恒压阀+安全阀+减压阀 Check valve+constant pressure valve+safety valve +air release valve
0.9	清洁技术+取样阀+视镜+照明技术 Clean technology+sample valve+sight glass +lighting technology
0.10	过滤器+人孔 Filter+man hole cover(manway)
0.11	卫生管件 Sanitary fittings ASME BPE DIN11852 B&4825 SMS ISO IDF 3A



注意：
目录技术资料仅供设计参考，
设计更新和技术升级恕不另行通知！

不断革新的技术、日新月异的市场发展和客户需求是当今我们面临的巨大挑战。面对这些挑战我们信心十足，因为东正高度专业化的产品和技术创新，是我们未来将以更高、更优的产品来满足不断增长的市场需求。

Technological innovation, rapid development of the market and customer needs are the greatest challenges facing us today. Facing with these challenges we are confident, because of highly professional products and technological innovation, we will meet the growing demand of market and customer with our better and better products.

法律声明：
目录样册版本属东正所有，如有抄袭东正将追究其法律责任和经济赔偿。
东正众多技术设计，都具有专利保护，如有抄袭，东正必将追究法律责任和经济赔偿。

领先源于创新 创新源于专业
东正的专业与品质的邂逅源于创新的精神



现代化工厂已经投产，期待您的光临！
温州空港经济园区生产基地
Wenzhou airport economic zone production base

占地面积29000m²，总投资1.2亿元，新引进工业机器人、5轴加工中心、机器人抛光设备。

Covering an area of 29000 m², with total investment after construction is expected to 120 million yuan, introduces new industrial robot, five axis machining center, machine Polishing equipment.

东正创立于1993年，注册资金5508万，是一家专注于研发高品质PID过程控制器、阀门定位器、流量控制器，阀门控制单元，高洁净过程控制阀、智能自控阀，高洁净泵、高洁净管材和管道配件。公司高度专业化的产品和技术专注于生物制药、食品饮料、酿酒、精细化工等工业领域。东正众多的创新解决方案，对满足全球，尤其是新兴市场不断增长生物制药和食品饮料行业的需求起到了积极作用。

东正制造的产品母材料、加工技术、焊接技术、表面处理等技术指标均已达到国内外先进水平。且符合ASME BPE、EHEDG、FDA、3A等一系列国际标准和规范要求，先后通过了由德国 TÜV机构实施的欧盟承压设备指令(PED-97/23/EC)和(MD-06/42/EC)认证、美国 3A机构实施的3-A卫生标准认证、中国安全阀特种制造设备(TS)许可证和中国质量认证中心CQC ISO9001:2008 质量管理体系认证等多项国际权威认证。

东正凭借先进的技术、优异的品质和完善的售后服务体系，先后被评定为国家高新技术企业，省著名商标、省科技型企业、创新型企业、专利示范企业、研发中心企业，守合同重信用AAA企业等众多荣誉。



关于东正 About DONJOY

Donjoy was built up in 1993, with registered capital RMB 55.08 millions. We focus on developing high quality PID process controller, the valve positioner, the flow controller, the valve control unit, high purity process control valve, intelligent self-control valve, high purity pump, high purity tubing fitting and pipeline accessories. Donjoy's products and technologies are widely used in biopharmaceutical, food, drink, wine fine chemicals and other industrial fields. Donjoy's innovation solutions meet the growing demand of the industry of biopharmaceutical, food and beverage from the whole world, especially the emerging market.

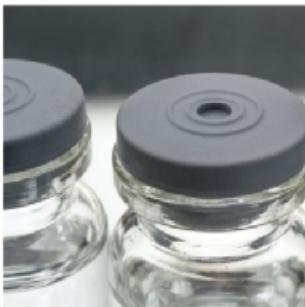
Raw material, processing technology, welding technology, surface treatment from Donjoy have achieved advanced levels of domestic and foreign market. Donjoy productions according to ASME BPE, EHEDG, FDA and 3A standard, get certificate of PED-97/23/EC and MD-06/42/EC issued by TUV, 3A issued by 3A organization, TS licence and ISO9001:2008.

Donjoy with advanced technology, excellent quality and perfect after-sales service system, has been assessed as the national high-tech enterprises, the Provincial Famous Trademark, the Provincial Science and Technology Enterprises, Innovative Enterprises, Patent Model Enterprises, R & D Center, AAA Credit Enterprises.



创立于2005年现代化工厂
温州滨海经济开发区生产基地
Wenzhou binhai economic development zone production base

DONJOY high-purity valve, pump, control system, pipe and accessories, provide the most excellent solution for various business scopes.



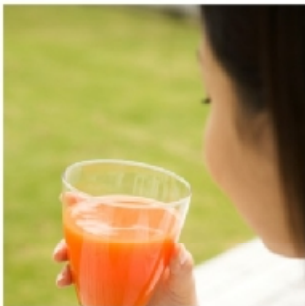
Biopharmaceutical



Dairy



Food



Beverage



Water Processing



Brewing



Fine Chemical

制造与检验 Manufacturing and testing



机器人生产线 Robot production line

全自动弯管设备 Automatic pipe bending equipment

DONJOY以科学技术是第一生产力，也是企业核心竞争力，只有不断投入核心技术研发和创新，不断追求卓越，精益求精、以先进生产设备，严格的质量管理体系，精密的生产检测流程，保证每一款产品优良的性能。

Science and technology constitute a primary productive force, also the core competitive strength of the enterprise. Continuously intensifying the research, development and innovation of core technology, pursuing prominence and keeping improving, ensuring the excellent quality and performance of every single product by advanced production equipment, strict quality control and precise production and inspection procedures.



荣誉与资质

Honor and qualification

	<p>3A</p> <p>东正是美国3A认证组织的金牌赞助商，3A是一个自愿组织，致力于维护公共卫生和奶制品产品质量通过独特的行业监管程序的设备，用于处理乳制品的卫生标准3A认证。 东正通过认证产品，阀门系列55-02-1783、64-00-1784、84-02-1786、85-03-1787、53-06-1782、54-02-1580、68-00-1785，管件(63-03)证书号(1581)等多种规格型号。</p>
	<p>PED/97/23/EC & MD/06/42EC</p> <p>东正通过了TUV 欧共体压力设备97/23/EC质量保证模式H&材料(管件)制造认证。 阀门证书 NO.CE 0036 泵类证书 NO.705201402401-00</p>
	<p>FDA177.2600</p> <p>东正生产的阀门和泵以及流体设备等，与物料接触密封圈全部通过或符合美国食品和药品管理局和联邦法规第21条即，CRF 21 FDA177.2600和FDA177.1550认证，其涵盖： EPDM VITON(FPM) SILICON HNBPTFE橡胶塑料材料等。</p>
	<p>ISO9001/2008</p> <p>东正通过中国质量认证中心CQC，ISO9001-2008/GB/T19001-2008企业质量管理体系认证。其证书编号: 00108Q24215R1M/3302</p>
	<p>卫生许可证</p> <p>东正通过了省卫生厅卫生阀门、卫生管件等检验，且获得了其颁发的证书，其编号: So083。 其许可证为国家出台的生活饮用水卫生监督管理方法证书。</p>
	<p>高新技术企业</p> <p>东正通过多年发展和技术创新已获得了多项国家发明专利，100多项实用新型专利，现已成为国家高新技术企业。</p>
	<p>浙江省著名商标</p> <p>东正09年获得了温州市著名商标，2012年获得了浙江省著名商标。</p>

DONJOY不但拥有以上认证和荣誉，且被评定为省科技型、创新型、专利示范、研发中心、守合同守信用企业等众多的荣誉证书。



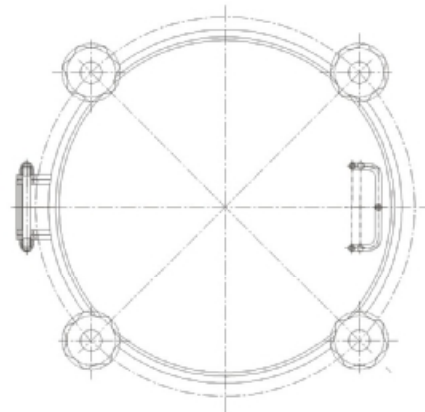
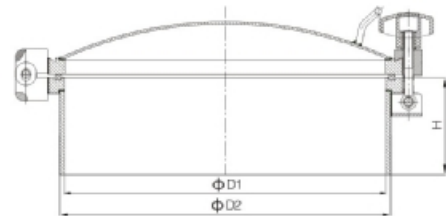


压力人孔

Pressure man hole cover

应用 Applications

- ◆该压力型人孔主要应用在食品、酿酒、饮料、制药等工业领域压力容器上。
- ◆Manhole cover (with pressure) is mainly used for pressure vessel in the fields of food, beverage, chemical, etc.



NO.ERK111

设计和特点 Design and features

- ◆外开式人孔盖子
- ◆带法兰式窥视镜塑料手轮或不锈钢手轮
- ◆由任式窥视镜
- ◆内表面: Ra0.8 μm-0.5 μm
- ◆外表面: 抛光处理、亚光处理、喷砂处理
- ◆工作压力: 2-5bar
- ◆垫圈: EPDM、NBR、SLICON、EPM符合FDA117.1600
- ◆高度: 100、120、150
- ◆材质: AISI304(1.4301)/316L(1.4404)
- ◆Outward opening manhole cover
- ◆Plastic wheel or stainless steel wheel
- ◆Sight glass with flange
- ◆Union type sight glass
- ◆Internal surface: Ra0.8 μm-0.5 μm
- ◆Outside surface: Polishing finished, matt finished and sand-blasting finished.
- ◆Working pressure: 2-5bar
- ◆Gasket: EPDM, NBR, SILICON, FPM in accordance with FDA177.1600
- ◆Height: 100, 120, 150mm
- ◆Material: AISI304(1.4301)/316L(1.4404)

压力人孔 Pressure man hole cover

SIZE	H	D1	D2
Φ 200	100	194	200
Φ 220	100	214	220
Φ 300	100	294	300
Φ 400	100	394	400
Φ 430	100	424	430
Φ 450	100	444	450
Φ 500	100	494	500
Φ 600	100	594	600
Φ 700	100	694	700
Φ 800	100	794	800

高度(H)可制作成120mm, 150mm等; 壁厚可以制作4MM或其它的壁厚; 手轮数量也可根据客户要求改变。

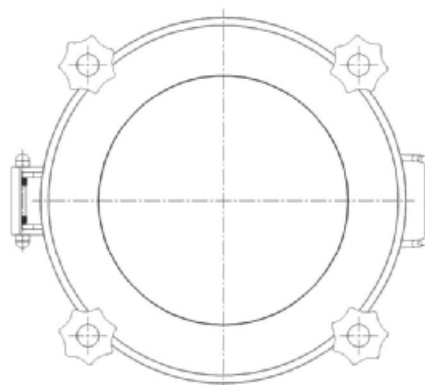
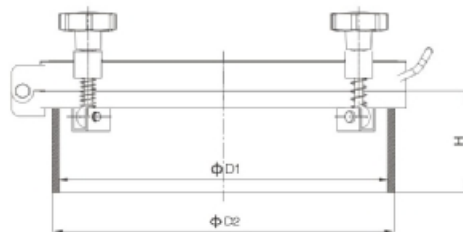
Height (H) can be customized to 120mm, 150mm, etc. The thickness can be customized to 4mm or other sizes. The amount of handles can be as per customers request.



人孔+视镜
Man hole cover
+Sight glass

玻璃压力人孔

Glass pressure man hole cover



NO.ERK131

设计和特点 Design and features

- ◆外开式人孔盖子
- ◆全玻璃人孔盖子
- ◆内表面: Ra0.8 μm -0.5 μm
- ◆外表面: 抛光处理、亚光处理、喷砂处理
- ◆工作压力: 2-5bar
- ◆垫圈: EPDM、NBR、SLICON、EPM符合FDA117.1600
- ◆高度: 100、120、150
- ◆材质: AISI304(1.4301)/316L(1.4404)
- ◆Outward opening manhole cover
- ◆All manhole cover glass
- ◆Internal surface: Ra0.8 μm -0.5 μm
- ◆Outside surface: Polishing finished, matt finished and sand-blasting finished.
- ◆Working pressure: 2-5bar
- ◆Gasket: EPDM, NBR, SILICON, FPM in accordance with FDA177.1600
- ◆Height: 100, 120, 150mm
- ◆Material: AISI304(1.4301)/316L(1.4404)

玻璃压力人孔 Glass pressure man hole cover

SIZE	H	D1	D2
Φ 200	100	194	200
Φ 220	100	214	220
Φ 300	100	294	300
Φ 350	100	344	350
Φ 400	100	394	400
Φ 430	100	424	430
Φ 450	100	444	450
Φ 500	100	494	500
Φ 600	100	594	600

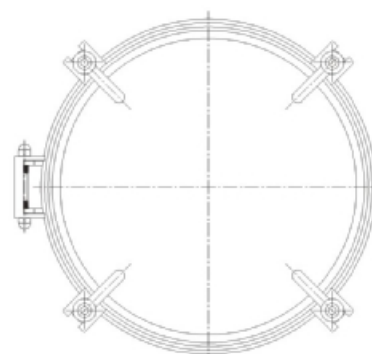
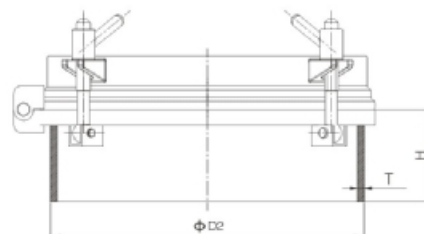
高度(H)可制作成120mm, 150mm等; 壁厚可以制作4MM或其它的壁厚; 手轮数量也可根据客户要求改变。
Height (H) can be customized to 120mm, 150mm, etc. The thickness can be customized to 4mm or other sizes. The amount of handles can be as per customers request.

压力人孔

Pressure man hole cover

应用 Applications

- ◆该压力型人孔主要应用在食品、酿酒、饮料、制药等工业领域压力容器上。
- ◆Manhole cover (with pressure) is mainly used for pressure vessel in the fields of food, beverage, chemical, etc.



NO.ERK121

设计和特点 Design and features

- ◆外开式人孔盖子
- ◆带法兰式窥视镜塑料手轮或不锈钢手轮
- ◆由任式窥视镜
- ◆内表面: Ra0.8 μm -0.5 μm
- ◆外表面: 抛光处理、亚光处理、喷砂处理
- ◆工作压力: 10bar
- ◆垫圈: EPDM、NBR、SLICON、EPM符合FDA117.1600
- ◆高度: 100、120、150、200、300
- ◆材质: AISI304(1.4301)/316L(1.4404)

- ◆Outward opening manhole cover
- ◆Plastic wheel or stainless steel wheel
- ◆Sight glass with flange
- ◆Union type sight glass
- ◆Internal surface: Ra0.8 μm -0.5 μm
- ◆Outside surface: Polishing finished, matt finished and sand-blasting finished.
- ◆Working pressure: 10bar
- ◆Gasket: EPDM, NBR, SILICON, FPM in accordance with FDA177.1600
- ◆Height: 100, 120, 150, 200, 300mm
- ◆Material: AISI304(1.4301)/316L(1.4404)

高压力圆型人孔 High Pressure man hole cover

SIZE	H	T	D2
Φ400	100	4	400
Φ430	100	4	430
Φ450	100	4	450
Φ500	100	4	500
Φ600	100	5	600
Φ800	100	6	800
Φ900	100	6	900

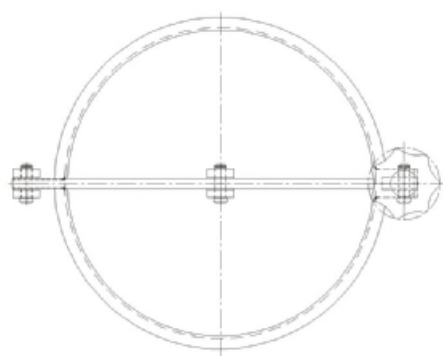
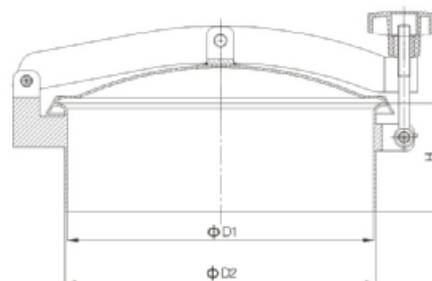
高度(H)可制作成120mm, 150mm等; 壁厚可根据客户要求改变;
Height (H) can be customized to 120mm, 150mm, etc. The thickness can be as per customers request

圆型人孔

Round man hole cover

应用 Applications

- ◆该人孔主要应用在食品、酿酒、饮料、制药等工业领域罐设备上。
- ◆The manhole cover is mainly used for tanks in the fields of food, beverage, chemical, etc.



NO.ERK211

设计和特点 Design and features

- ◆外开式人孔盖子
 - ◆塑料手轮或不锈钢轮
 - ◆内表面: Ra0.8 μm -0.5 μm
 - ◆外表面: 抛光处理、亚光处理、喷砂处理
 - ◆垫圈: EPDM、NBR、SLICON、EPM符合FDA117.2600
 - ◆高度: 100、120、150mm
 - ◆材质: AISI304(1.4301)/316L(1.4404)
- ◆Outward opening man hole cover
 - ◆Plastic wheel or stainless steel wheel
 - ◆Internal surface: Ra0.8 μm -0.5 μm
 - ◆Outside surface: Polishing finished, matt finished and sand-blasting finished
 - ◆Gasket: EPDM, NBR, SILICON, FPM in accordance with FDA177.2600
 - ◆Height: 100, 120, 150mm
 - ◆Material: AISI304(1.4301)/316L(1.4404)

圆型人孔 Round man hole cover

SIZE	H	D1	D2
Φ200	100	194	200
Φ220	100	214	220
Φ300	100	294	300
Φ350	100	344	350
Φ400	100	394	400
Φ430	100	424	430
Φ450	100	444	450
Φ500	100	494	500
Φ600	100	594	600

高度(H)可制作成120mm, 150mm等; 壁厚可根据客户要求改变;
Height (H) can be customized to 120mm, 150mm, etc. The thickness can be as per customers request

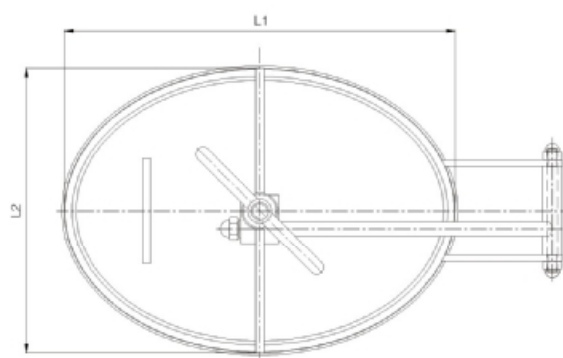
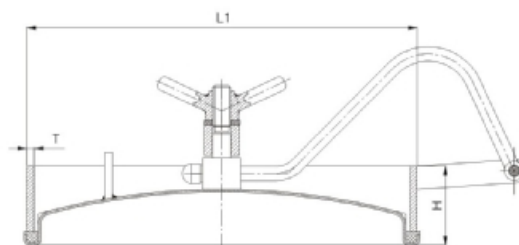


椭圆型人孔

Elliptical man hole cover(oval man way)

应用 Applications

- ◆该人孔主要应用在食品、酿酒、饮料、制药等工业领域罐设备上。
- ◆The manhole cover is mainly used for tanks in the fields of food, beverage, chemical, etc.



NO.ERK311

设计和特点 Design and features

- ◆内开式人孔盖子
- ◆扳手式手柄，手轮式手柄
- ◆内表面：Ra0.8 μ m-0.5 μ m
- ◆外表面：抛光处理、亚光处理、喷砂处理
- ◆最大压力：0.5-3.0bar
- ◆垫圈：EPDM、NBR、SLICON、EPM符合FDA117.2600
- ◆高度：75、100、120、150mm
- ◆材质：AISI304(1.4301)/316L(1.4404)

- ◆Inward opening man hole cover
- ◆Spanner type handle, wheel handle
- ◆Internal surface: Ra0.8 μ m-0.5 μ m
- ◆Outside surface: Polishing finished, matt finished and sand-blasting finished
- ◆Max. Pressure: 0.5-3.0bar
- ◆Gasket: EPDM, NBR, SILICON, FPM in accordance with FDA177.2600
- ◆Height: 75, 100, 120, 150mm
- ◆Material: AISI304(1.4301)/316L(1.4404)

椭圆型人孔 Elliptical man hole cover

SIZE	H	L1	L2	T
435 × 335	75	435	335	8
530 × 430	100	530	430	10
635 × 525	160	635	344	10

高度(H)可根据客户要求；壁厚可根据客户要求；
Height (H) and the thickness can be as per customers request.



方型人孔

Square man hole cover(rectangular manway)

应用 Applications

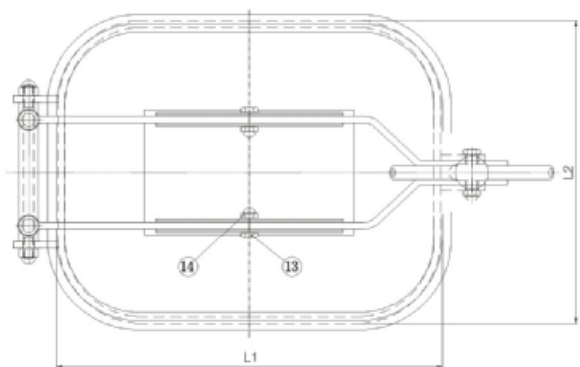
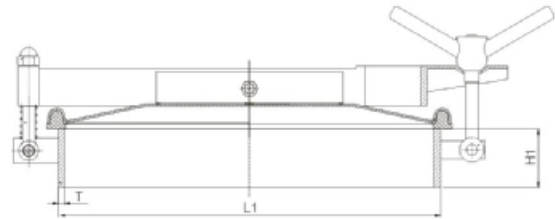
- ◆该人孔主要应用在食品、酿酒、饮料、制药等工业领域罐设备上。
- ◆The manhole cover is mainly used for tanks in the fields of food, beverage, chemical, etc.



SIZE: 425x335



SIZE: 535x435



NO.ERK421

设计和特点 Design and features

- ◆外开式人孔盖子
- ◆扳手式手柄，手轮式手柄
- ◆内表面：Ra0.8 μ m-0.5 μ m
- ◆外表面：抛光处理、亚光处理、喷砂处理
- ◆最大压力：0.2-1.0bar
- ◆垫圈：EPDM、NBR、SLICON、FPM符合FDA117.2600
- ◆高度：65、80、100、120、150mm
- ◆材质：AISI304(1.4301)/316L(1.4404)
- ◆Outward opening man hole cover
- ◆Spanner type handle, wheel handle
- ◆Internal surface: Ra0.8 μ m-0.5 μ m
- ◆Outside surface: Polishing finished, matt finished and sand-blasting finished
- ◆Max. Pressure: 0.2-1.0bar
- ◆Gasket: EPDM, NBR, SILICON, FPM in accordance with FDA177.1600
- ◆Height: 65, 80, 100, 120, 150mm
- ◆Material: AISI304(1.4301)/316L(1.4404)

注意：标准设计为非压力，如需压力请说明。

Note: The standard design for non-pressure, for Pressure Please specify.

方型人孔 Square man hole cover

SIZE	H1	L1	L2	T
235 × 185	65	235	185	8
425 × 335	65	425	335	8
535 × 435	65	535	435	8

高度(H1)可根据客户要求；壁厚可根据客户要求；
Height (H1) and the thickness can be as per customers request.



SIZE: 235 × 185mm



CHINA DONJOY TECHNOLOGY CO.,LTD.

DONJOY looking forward to your visit! Your telecommunications!



中国·东正
科技有限公司

地址:温州龙湾区空港新区港富路25号
总机: 0577-86990888
传真: 0577-86998000

Add : No.25 Gang fu Road,
kong gang new District,
Longwan Wenzhou,China
Tel: +86-577-86990888
Fax: +86-577-86998000
E-mail: donjoy@cndonjoy.com

www.cndonjoy.com

法律声明:

目录样册版本属东正所有, 如有抄袭东正将追究其法律责任和经济赔偿。
东正众多技术设计, 都具有专利保护, 如有抄袭, 东正必将追究法律责任和经济赔偿。