



工业管件
Industrial fittings

国家高新技术企业 浙江省著名商标
www.cndonjoy.com



东正一直致力于技术进步，是您值得信赖的事业伙伴！
Donjoy committing to major technological advances, is your reliable business partner!

0.1	自控调节阀+控制器 Automatic control regulating valve +Control head
0.2	生物制药隔膜阀 Biopharmaceutical diaphragm valve
0.3	高洁净泵 High purity pumps
0.4	防混蝶阀+蝶阀 Mixing proof butterfly valve +Butterfly valve
0.5	球阀 Ball valve
0.6	截止换向阀+防混阀+罐底阀 Divert seat valve+Mixing proof valve +Tank bottom valve
0.7	角座阀+截止阀 Angle seat valve+Globe valve
0.8	止回阀+恒压阀+安全阀+减压阀 Check valve+constant pressure valve+safety valve +air release valve
0.9	清洁技术+取样阀+视镜+照明技术 Clean technology+sample valve+sight glass +lighting technology
0.10	过滤器+人孔 Filter+man hole cover(manway)
0.11	卫生管件 Sanitary fittings ASME BPE DIN11852 Bs4825 SMS ISO IDF 3A



注意：
目录技术资料仅供设计参考，
设计更新和技术升级恕不另行通知！

东正始终坚持以不断革新的技术、日新月异的市场发展和客户需求是当今我们面临的最大挑战。面对这些挑战我们信心十足，因为东正高度专业化的产品和技术创新，是我们未来将以更高、更优的产品来满足不断增长的市场需求。

Technological innovation, rapid development of the market and customer needs are the greatest challenges facing us today. Facing with these challenges we are confident, because of highly professional products and technological innovation, we will meet the growing demand of market and customer with our better and better products.

法律声明：
目录样册版本属东正所有，如有抄袭东正将追究其法律责任和经济赔偿。东正已获得国家版权局书刊号。
东正众多技术设计，都具有专利保护，如有抄袭，东正必将追究法律责任和经济赔偿。

领先源于创新 创新源于专业
东正的专业与品质的邂逅源于创新的精神



现代化工厂已经投产，期待您的光临！
温州空港经济园区生产基地
Wenzhou airport economic zone production base

占地面积29000m²，总投资1.2亿元，新引进工业机器人、5轴加工中心、机器人抛光设备。

Covering an area of 29000 m², with total investment after construction is expected to 120 million yuan, introduces new industrial robot, five axis machining center, machine Polishing equipment.

东正创立于1993年，注册资金5508万，是一家专注于研发高品质PID过程控制器、阀门定位器、流量控制器，阀门控制单元，高洁净过程控制阀、智能自控阀，高洁净泵、高洁净管材和管道配件。公司高度专业化的产品和技术专注于生物制药、食品饮料、酿酒、精细化工等工业领域。东正众多的创新解决方案，对满足全球，尤其是新兴市场不断增长生物制药和食品饮料行业的需求起到了积极作用。

东正制造的产品母材料、加工技术、焊接技术、表面处理等技术指标均已达到国内外先进水平。且符合ASME BPE、EHEDG、FDA、3A等一系列国际标准和规范要求，先后通过了由德国 TÜV机构实施的欧盟承压设备指令(PED-97/23/EC)和(MD-06/42/EC)认证、美国 3A机构实施的3-A卫生标准认证、中国安全阀特种制造设备(TS)许可证和中国质量认证中心CQC ISO9001:2008 质量管理体系认证等多项国际权威认证。

东正凭借先进的技术、优异的品质和完善的售后服务体系，先后被评定为国家高新技术企业，省著名商标、省科技型企业、创新型企业、专利示范企业、研发中心企业，守合同重信用AAA企业等众多荣誉。



关于东正 About DONJOY

Donjoy was built up in 1993, with registered capital RMB 55.08 millions. We focus on developing high quality PID process controller, the valve positioner, the flow controller, the valve control unit, high purity process control valve, intelligent self-control valve, high purity pump, high purity tubing fitting and pipeline accessories. Donjoy's products and technologies are widely used in biopharmaceutical, food, drink, wine fine chemicals and other industrial fields. Donjoy's innovation solutions meet the growing demand of the industry of biopharmaceutical, food and beverage from the whole world, especially the emerging market.

Raw material, processing technology, welding technology, surface treatment from Donjoy have achieved advanced levels of domestic and foreign market. Donjoy productions according to ASME BPE, EHEDG, FDA and 3A standard, get certificate of PED-97/23/EC and MD-06/42/EC issued by TUV, 3A issued by 3A organization, TS licence and ISO9001:2008.

Donjoy with advanced technology, excellent quality and perfect after-sales service system, has been assessed as the national high-tech enterprises, the Provincial Famous Trademark, the Provincial Science and Technology Enterprises, Innovative Enterprises, Patent Model Enterprises, R & D Center, AAA Credit Enterprises.



创立于2005年现代化工厂
温州滨海经济开发区生产基地
Wenzhou binhai economic development zone production base

DONJOY high-purity valve, pump, control system, pipe and accessories, provide the most excellent solution for various business scopes.



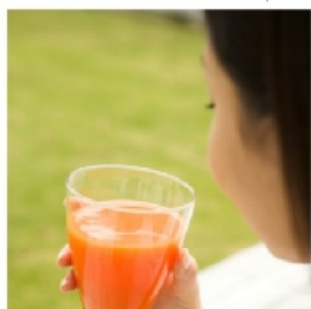
Biopharmaceutical



Dairy



Food



Beverage



Water Processing



Brewing



Fine Chemical

制造与检验 Manufacturing and testing



机器人生产线 Robot production line

全自动弯管设备 Automatic pipe bending equipment

DONJOY以科学技术是第一生产力，也是企业核心竞争力，只有不断投入核心技术研发和创新，不断追求卓越，精益求精、以先进生产设备，严格的质量管理体系，精密的生产检测流程，保证每一款产品优良的性能。

Science and technology constitute a primary productive force, also the core competitive strength of the enterprise. Continuously intensifying the research, development and innovation of core technology, pursuing prominence and keeping improving, ensuring the excellent quality and performance of every single product by advanced production equipment, strict quality control and precise production and inspection procedures.



至精 至洁 历久弥新

20多年的经验是您值得信赖的品牌-DONJOY

东正管件系列产品已全部通过美国-3A-63-03认证；橡胶垫圈FDA 177.2600，PTFE垫圈FDA177.1550。

材质：304、316L、1.4301、1.4404、1.4435 NB2 Fe<0.5%

表面处理：机抛光 DIN 11866 HE3c HE4c HE5c, ASME BPE SFF1 SFF2 SFF3

电抛光 DIN 11866 HE3c HE4c HE5c, ASME BPE SFF4 SFF5 SFF6



异形管件系列
(定制品)



卡箍式管件
Clamp pipe fittings



管件系列
DIN SMS ISO
BS4825 3A



无菌系列-
由任-法兰-卡箍由任
Aseptic series-Union-
Flange-Clamp union

BPE管件
BPE pipe fitting



由任
Union

管支架
Pipe holder

I-Line管件系列
I-line fittings



斜座式密封3A由任
Bevel seal ferrules



卫生钢管
Tube



材质和连接标准

Material and connectivity standards

材质有多种选项

- ◆ 1.4435-BN2 (316L) Fe < 0.5% Forged
- ◆ ASME BPE 316L
- ◆ ASTM 304, 1.4301
- ◆ ASTM 316L 1.4404

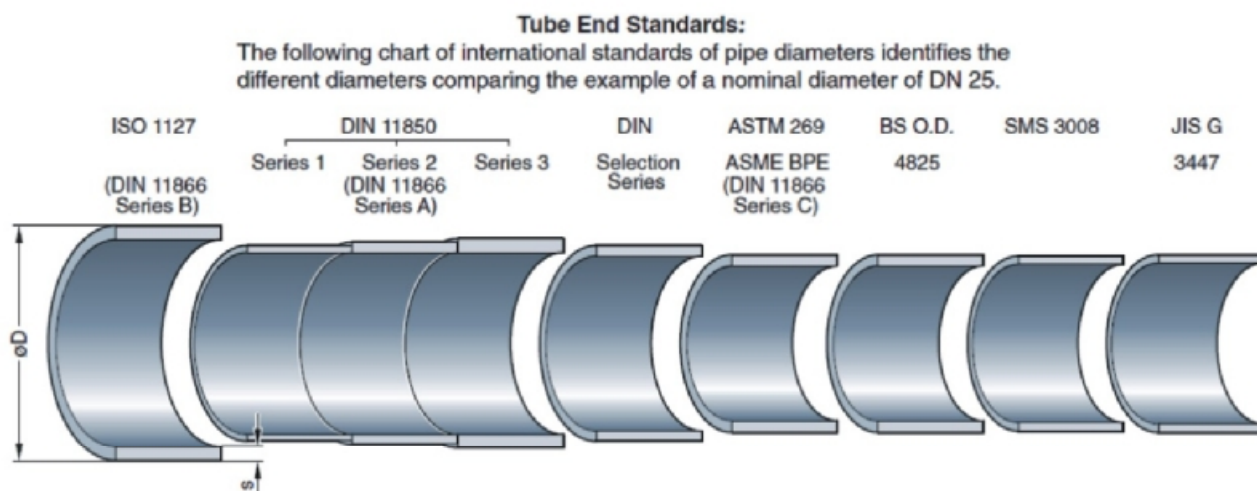
不锈钢化学成分规范
Chemical composition for automatic weld ends, %

根据ASDME BPE Table DT-3		EN 10088-3 1.4435 NB2 Fe≤0.5%	
Carbon, max	0.035	Carbon, max	< 0.03
chromium	16.00-18.00	chromium	16.00-18.00
manganese, max	2.00	manganese, max	2.00
molybdenum	2.00-3.00	molybdenum	2.5-3.0
nickel	10.00-15.00	nickel	12.5-14.0
phosphorus, max	0.045	phosphorus, max	0.045
silicon, max	1.00	silicon, max	1.00
sulfur	0.005-0.017	sulfur	≤ 0.030
		nitrogen	< 0.11

管道接口标准 Pipeline end standard

下表格：以DN25为列的不同国际标准卫生级不锈钢管道直径的区别

Next form: Take DN25 for example to illustrate the stainless steel pipe OD difference in different International standard health grade



表面处理

Surface treatment

表面处理 Surface treatment

对高洁净的工艺管路系统来说，表面的粗糙度是极其重要的技术指标
For high clean process piping system, the roughness of the surface is an extremely important technique index



Surface finish: machined,
Ra 1.2 μ m



Surface finish: machined,
Ra 0.8 μ m



Surface finish: fine-machined,
and grinded, Ra 0.4 μ m



Surface finish: fine-machined,
and grinded, Ra 0.2 μ m



表面抛光 Surface polishing

Ra=粗糙度
平均粗糙度Ra值被作为衡量一个内表面光洁度的一个参数。
LT5.6mm 长度/测量Lc0.8mm进行5次测量粗糙度得出的平均值粗糙度Ra值。
根据ASME BPE和DIN 11866。

Ra = roughness
Average roughness Ra data is used as a measure of valve body surface finish of a parameter.
LT5.6 mm length/measurement Lc0.8 mm for five measuring roughness obtained average roughness Ra data.
According ASME BPE table to classified

Definition of the codes for Ra-Values Allocation to the standard DIN 11866

Ra μ m	DIN 11866	α
	Hygiene class	E-polished
0.8		
0.8	HE3c	●
0.6		
0.6		●
0.4		
0.4	HE4c	●
0.25		
0.25	HE5c	●

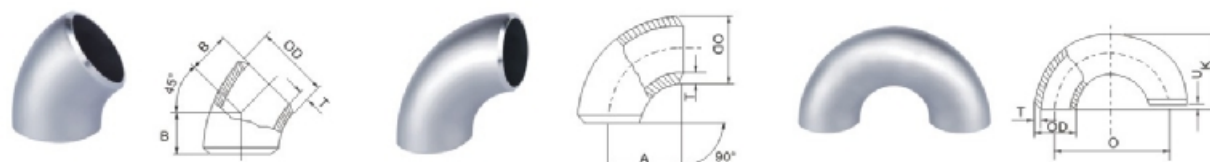
Table SF-2.4-1 R_a Readings for Metallic Product Contact Surfaces

Surface Designation	Mechanically Polished [Note (1)]	
	R _a Max.	
	μ in.	μ m
SF0	No finish requirement	No finish requirement
SF1	20	0.51
SF2	25	0.64
SF3	30	0.76
	Mechanically Polished [Note (1)] and electropolished	
	R _a Max.	
	μ in.	μ m
SF4	15	0.38
SF5	20	0.51
SF6	25	0.64

工业管件/法兰系列

Industrial fittings flange series

45° 90° 180° 长半径弯头 Long radius elbows (45° 90° 180°)



公称口径 Nominal diameter		外径 Outside diameter	中心至 端面的距离 Center to end		中心至 中心的距离 Center to Center	90°L/R变头理论重量kg/pc 90°L/R Elbow Approx weight					
DN	NPS	OD	B	A	O	sch5S	sch10S	sch20LG	sch40S/SLG	sch80S/XS	sch80
15	1/2	18 21.3	16	38	76	0.04 0.05	0.05 0.06	0.06 0.07	0.06 0.08	0.08 0.10	0.08 0.10
20	3/4	25 26.7	19	38	76	0.06 0.06	0.07 0.08	0.09 0.09	0.09 0.10	0.12 0.13	0.12 0.13
25	1	32 33.4	22	38	76	0.07 0.08	0.12 0.13	0.14 0.14	0.14 0.15	0.19 0.19	0.19 0.19
32	1 1/4	38 42.2	25	48	96	0.11 0.13	0.18 0.20	0.21 0.23	0.23 0.26	0.30 0.34	0.30 0.34
40	1 1/2	45 48.3	29	57	114	0.16 0.17	0.26 0.28	0.30 0.32	0.34 0.37	0.45 0.49	0.45 0.49
50	2	57 60.3	35	76	152	0.27 0.29	0.45 0.47	0.57 0.61	0.62 0.65	0.85 0.90	0.85 0.90
65	2 1/2	76 73	44	95	190	0.58 0.55	0.82 0.79	0.97 0.93	1.35 1.30	1.79 1.71	1.79 1.71
80	3	89 88.9	51	114	229	0.82 1.09	1.17 1.56	1.51 2.03	2.04 2.85	2.76 3.92	2.76 3.92
90	3 1/2	101.6	57	133	267	1.32 1.40	1.90 2.01	2.47 2.61	3.64 3.85	5.05 5.35	5.05 5.35
100	4	108 114.3	64	152	305	2.67 2.84	3.27 3.47	4.74 5.05	6.14 6.54	8.72 9.32	8.72 9.32
125	5	133 141.3	79	190	381	2.81 4.10	3.43 5.01	4.99 7.29	6.46 10.24	9.19 15.41	9.19 15.41
150	6	159 168.3	95	229	457	3.86 4.01	4.72 4.91	6.88 7.14	9.64 10.03	14.50 15.09	14.50 15.09
200	8	219 219.1	127	305	610	7.12 7.03	9.63 9.49	15.94 15.71	20.51 20.22	31.17 30.71	31.17 30.71
250	10	273 273	159	381	762	13.62 13.35	16.74 16.39	24.97 24.44	36.33 35.56	49.12 18.06	457.83 56.57
300	12	325 323.9	190	457	914	22.66 22.58 22.16	26.10 26.01 25.53	35.79 35.66 35.00	53.58 53.40 52.39	70.69 70.44 49.11	95.81 95.46 93.63
350	14	377 355.6	222	533	1067	30.71 28.95	36.98 34.86	61.36 57.80	72.80 68.56	96.17 90.52	141.75 133.27
400	16	426 406.4	254	610	1219	42.06 40.09	47.90 45.67	79.55 75.82	94.42 89.98	124.87 118.95	206.35 196.35

上述尺寸符合GB/T12459、GB/T13401、SH 3408、SH 3409、HG/T 21635、HG/T 21631、SY/T 05010、ASME B16.9标准。

Above dimensions acc. to GB/T 13401、SH 3408、SH 3409、HG/T 21635、HG/T 21631、SY/T 05010、ASME B16.9.

理论重量按ASME B36.10M、B36.19M标准壁厚测算，(sch20S/LG，按GB/T 12459、GB/T 13401标准壁厚测算)。

Weights are approximate and based on manufacture's data, according to ASME B36.10M、B36.19M, (sch20S/LG, Weights are approximate and based on manufacture's data, according to GB/T 12459、GB/T 13401).

三通(等径、异径) Tees(Straight and reducing)



公称直径 Nominal diameter		外径 Outside diameter D1xD2	中心至 端面的距离 Center to end		理论重量kg/pc Approx weight					
DN	NPS		C	M	sch5S	sch10S	sch20/LG	sch40S/STD	sch80S/XS	sch80
20x20	3/4x3/4	25x25 26.7x26.7	29	29	0.07 0.06	0.10 0.11	0.13 0.15	0.13 0.15	0.16 0.18	0.16 0.18
20x15	3/4x1/2	25x18 26.7x21	29	29	0.06 0.7	0.19 0.10	0.12 0.13	0.12 0.13	0.15 0.16	0.15 0.16
25x25	1x1	32x32 33.4x33.4	38	38	0.11 0.12	0.19 0.20	0.23 0.25	0.23 0.25	0.30 0.32	0.30 0.32
25x20	1x3/4	32x25 33.4x26.7	38	38	0.10 0.11	0.18 0.19	0.22 0.24	0.22 0.24	0.28 0.31	0.28 0.31
25x15	1x1/2	31x18 33.4x21.3	38	38	0.09 0.10	0.17 0.18	0.21 0.23	0.21 0.23	0.27 0.30	0.27 0.30
32x32	1 1/4x1 1/4	38x38 42x42.2	48	48	0.19 0.20	0.36 0.39	0.42 0.52	0.42 0.52	0.63 0.73	0.63 0.73
32x25	1 1/4x1	38x32 42.2x33.4	48	48	0.19 0.19	0.33 0.35	0.40 0.42	0.40 0.42	0.58 0.68	0.58 0.68
32x20	1 1/4x3/4	38x25 42.2x26.7	48	48	0.17 0.18	0.31 0.32	0.38 0.40	0.38 0.40	0.55 0.65	0.55 0.65
32x15	1 1/4x1/2	38x18 42.2x21.3	48	48	0.16 0.17	0.30 0.31	0.36 0.38	0.36 0.38	0.52 0.62	0.52 0.62
40x40	1 1/2x1 1/2	45x45 48.3x48.3	57	57	0.35 0.45	0.59 0.69	0.78 0.88	0.78 0.88	1.08 1.18	1.08 1.18
40x32	1 1/2x1 1/4	45x38 48.3x42.2	57	57	0.32 0.42	0.54 0.65	0.72 0.82	0.72 0.82	0.99 1.09	0.99 1.09
40x25	1 1/2x1	45x32 48.3x33.4	57	57	0.27 0.37	0.45 0.65	0.60 0.80	0.60 0.80	0.83 1.08	0.83 1.08
40x20	1 1/2x3/4	45x25 48.3x26.7	57	57	0.26 0.26	0.44 0.64	0.58 0.68	0.58 0.68	0.80 1.00	0.80 1.00
40x15	1 1/2x1/2	45x18 48.3x21.3	57	57	0.25 0.35	0.42 0.62	0.56 0.66	0.56 0.66	0.78 0.78	0.78 0.78
50x50	2x2	57x57 60.3x60.3	64	64	0.49 0.50	1.03 1.05	1.15 1.18	1.15 1.18	1.65 1.67	1.65 1.67
50x40	2x1 1/4	57x45 60.3x48.3	64	60	0.44 0.45	0.93 0.95	1.04 1.06	1.04 1.06	1.48 1.50	1.48 1.50
50x32	2x1 1/4	57x38 60.3x42.2	64	57	0.40 0.43	0.81 0.89	0.98 1.00	0.98 1.00	1.37 1.42	1.37 1.42
50x25	2x1	57x32 60.3x33.4	64	51	0.39 0.40	0.72 0.84	0.92 0.94	0.92 0.94	1.31 1.34	1.31 1.34
50x20	2x3/4	57x25 60.3x26.7	64	44	0.37 0.38	0.70 0.80	0.87 0.90	0.87 0.90	1.24 1.27	1.24 1.27

上述尺寸符合GB/T12459、GB/T13401、SH 3408、SH 3409、HG/T 21635、HG/T 21631、SY/T 05010、ASME B16.9标准。

Above dimensions acc. to GB/T 13401、SH 3408、SH 3409、HG/T 21635、HG/T 21631、SY/T 05010、ASME B16.9.

理论重理按ASME B36.10M、B36.19M标准壁厚测算。

Weights are approximate and based on manufacture's data, according to ASME B36.10M、B36.19M,

工业管件/法兰系列

Industrial fittings/flange series

三通(等径、异径) Tees(Straight and reducing)



公称直径 Nominal diameter		外径 Outside diameter	中心至 端面的距离 Center to end		理论重量/kg/pc Approx weight					
DN	NPS	D1xD2	C	M	sch5S	sch10S	sch20/LG	sch40S/STD	sch80S/XS	sch80
65x65	2 1/2x2 1/2	76x76 73.0x73.0	76	76	0.87 0.86	1.21 1.25	2.10 2.12	2.10 2.12	2.80 2.88	2.80 2.88
65x50	2 1/2x2	76x57 73.0x60.3	76	70	0.82 0.81	1.17 1.16	2.00 1.98	2.00 1.96	2.70 2.65	2.70 2.65
65x40	2 1/2x1 1/2	76x45 73.0x48.3	76	67	0.77 0.76	1.11 1.10	1.89 1.88	1.89 1.88	2.56 2.55	2.56 2.55
65x32	2 1/2x1 1/4	76x38 73.0x42.2	76	64	0.85 0.74	1.10 1.08	1.80 1.89	1.80 1.89	2.50 2.25	2.50 2.25
65x25	2 1/2x1	76x32 73.0x33.4	76	57	0.76 0.70	1.10 1.07	1.86 1.81	1.86 1.81	2.53 2.08	2.53 2.08
80x80	3x3	89x89	86	86	1.16	1.68	3.02	3.02	4.19	4.19
80x65	3x2 1/2	89x76 88.9x73.0	86	83	1.11 1.10	1.62 1.60	2.89 2.87	2.89 2.87	1.02 3.96	1.02 3.96
80x50	3x2	89x57 88.9x60.3	86	76	1.06 1.07	1.53 1.55	2.76 2.79	2.76 2.79	3.81 3.85	3.81 3.85
80x40	3x1 1/2	89x45 88.9x48.3	86	73	1.01 1.03	1.49 1.50	2.67 2.69	2.67 2.69	3.70 3.73	3.70 3.73
80x32	3x1 1/4	89x38 88.9x42.2	86	70	1.00 1.00	1.48 1.45	2.65 2.60	2.65 2.60	3.68 3.60	3.68 3.60
90x90	3 1/2x2 1/2	101.6x101.6	95	95	1.33	1.92	3.61	3.61	5.08	5.08
90x80	3 1/2x3	101.6x88.9	95	92	1.26	1.82	3.43	3.43	4.83	4.83
90x65	3 1/2x2 1/2	101.6x73.0	95	89	1.22	1.76	3.32	3.32	4.67	4.67
90x50	3 1/2x2	101.6x60.3	95	83	1.20	1.73	3.25	3.25	4.57	4.57
90x40	3 1/2x1 1/2	101.6x48.3	95	79	1.17	1.70	3.21	3.21	4.51	4.51
100x100	4x4	108x108 114.3x114.3	105	105	1.66 1.75	2.41 2.54	4.75 5.01	4.75 5.01	6.75 7.12	6.75 7.12
100x90	4x3 1/2	114.3x101.6	105	102	1.70	2.46	7.85	7.85	6.89	6.89
100x80	4x3	108x89 114.3x88.9	105	98	1.55 1.61	2.24 2.33	4.42 4.60	4.42 4.60	6.27 6.52	6.27 6.52
100x65	4x2 1/2	108x76 114.3x73.0	105	95	1.53 1.60	2.21 2.31	4.36 4.56	4.36 4.56	6.50 6.50	6.50 6.50

上述尺寸符合GB/T12459、GB/T13401、SH 3408、SH 3409、HG/T 21635、HG/T 21631、SY/T 05010、ASME B16.9标准。

Above dimensions acc. to GB/T 13401、SH 3408、SH 3409、HG/T 21635、HG/T 21631、SY/T 05010、ASME B16.9.

理论重量按ASME B36.10M、B36.19M标准壁厚测算。

Weights are approximate and based on manufacture's data, according to ASME B36.10M、B36.19M,

三通(等径、异径) Tees(Straight and reducing)



公称直径 Nominal diameter		外径 Outside diameter	中心至 端面的距离 Center to end		理论重量/kg/pc Approx weight					
DN	NPS	D1xD2	C	M	sch5S	sch10S	sch20/LG	sch40S/STD	sch80S/XS	sch80
100x50	4x2	108x57 114.3x60.3	105	89	1.51 1.57	2.19 2.29	4.32 4.41	4.32 4.41	6.13 6.12	6.13 6.12
100x40	4x1 1/2	108x45 114.3x48.3	105	86	1.50 1.55	2.09 2.24	4.22 4.00	4.22 4.00	1.03 6.02	1.03 6.02
125x125	5x5	133x133 141.3x141.3	124	124	3.18 3.37	3.91 4.14	7.53 7.98	7.53 7.98	10.9 11.6	10.9 11.6
125x100	5x4	133x108 141.3x114.3	124	117	3.03 3.15	3.73 3.90	7.20 7.52	7.20 7.52	10.4 10.8	10.4 10.8
125x90	5x3 1/2	141.3x101.6	124	114	3.09	3.83	7.39	7.39	10.6	10.6
125x80	5x3	133x89 141.3x88.9	124	111	2.90 3.01	3.59 3.74	6.92 7.21	6.92 7.21	10.0 10.4	10.0 10.4
125x65	5x2 1/2	133x76 141.3x73.0	124	108	2.85 3.00	3.59 3.73	6.92 7.20	6.92 7.20	10.0 10.4	10.0 10.4
125x50	5x2	133x57 141.3x60.3	124	105	2.80 3.92	3.58 3.73	6.92 7.20	6.92 7.20	10.0 10.4	10.0 10.4
150x150	6x6	159x159 168.3x168.3	143	143	4.09 4.32	5.03 5.31	10.5 11.1	10.5 11.1	16.2 17.1	16.2 17.1
150x125	6x5	159x133 168.3x141.3	143	137	3.84 4.13	4.73 50.8	9.88 10.6	9.88 10.6	15.2 16.3	15.2 16.3
150x100	6x4	159x108 168.3x114.3	143	130	3.76 3.95	4.64 4.87	9.71 10.2	9.71 10.2	14.9 15.6	14.9 15.6
150x90	6x3 1/2	168.3x101.6	143	127	3.91	4.82	10.1	10.1	15.5	15.5
150x80	6x3	159x89 168.3x88.9	143	124	3.72 3.93	4.56 4.82	9.56 10.0	9.56 10.0	14.7 15.3	14.7 15.3
150x65	6x2 1/2	159x76 168.3x73.0	143	121	3.70 3.81	4.51 4.72	9.51 10.0	9.51 10.0	14.6 15.2	14.6 15.2
200x200	8x8	219x219	178	178	7.72	10.4	22.8	22.8	36.4	36.4
200x150	8x6	219x159 219.1x168.3	178	168	6.74 7.17	9.20 9.74	19.9 21.1	19.9 21.1	30.9 32.8	30.9 32.8
200x125	8x5	219x133 219.1x141.3	178	162	6.61 7.03	8.98 9.55	19.5 20.7	19.5 20.7	30.2 32.2	30.2 32.2
200x100	8x4	219x108 219.1x114.3	178	156	6.43 6.84	8.73 9.39	19.0 19.9	20.5 20.2	29.4 31.3	29.4 31.3
200x90	8x3 1/2	219.1x101.6	178	152	6.84	9.18	19.8	20.1	31.1	31.1

上述尺寸符合GB/T12459、GB/T13401、SH 3408、SH 3409、HG/T 21635、HG/T 21631、SY/T 05010、ASME B16.9标准。

Above dimensions acc. to GB/T 13401、SH 3408、SH 3409、HG/T 21635、HG/T 21631、SY/T 05010、ASME B16.9.

理论重量按ASME B36.10M、B36.19M标准壁厚测算。

Weights are approximate and based on manufacture's data, according to ASME B36.10M、B36.19M,

工业管件/法兰系列

Industrial fittings flange series

三通(等径、异径) Tees(Straight and reducing)



公称直径 Nominal diameter		外径 Outside diameter D1xD2	中心至 端面的距离 Center to end		理论重量kg/pc Approx weight					
DN	NPS		C	M	sch5S	sch10S	sch20/LG	sch40S/STD	sch80S/XS	sch80
250x250	10x10	273x273	216	216	14.6	18.04	40.04	40.04	25.8	65.12
250x200	10x8	273x219	216	203	13.3	13.4	36.4	36.4	49.8	59.2
250x150	10x6	273x159 273.1x168.3	216	194	11.4 12.1	15.0 15.0	31.4 33.4	31.4 33.4	42.8 42.7	50.7 54.0
250x125	10x5	273x133 273.1x141.3	216	191	11.2 11.9	14.6 14.6	30.7 32.9	30.7 32.9	45.4 41.8	49.7 52.9
250x100	10x4	273x108 273.1x114.3	216	184	11.0 11.7	14.4 14.4	30.3 32.2	30.3 32.2	44.5 41.2	49.0 52.1
300x300	12x12	325x325 323.9x323.9	254	254	21.5 21.5	14.8 24.8	51.8 51.8	56.1 56.0	42.9 69.0	95.0 95.0
300x250	12x10	325x273 323.9x273.1	254	241	20.4 20.3	23.6 23.4	49.2 49.1	53.3 53.1	69.0 65.6	90.3 90.2
300x200	12x8	325x219 323.9x219.1	254	229	20.2 20.0	23.3 23.1	48.4 48.2	52.4 52.2	65.2 64.4	88.6 88.4
300x150	12x6	325x159 323.9x168.3	254	219	18.4 19.5	22.5 22.7	44.3 47.1	47.9 51.0	64.2 59.0	81.2 89.4
300x125	12x5	325x133 323.9x141.3	254	216	18.0 19.1	20.8 22.1	43.6 46.3	47.1 50.2	62.7 57.8	79.8 84.6
350x350	14x14	377x377 355.6x355.6	279	279	27.4 25.7	33.1 31.1	66.1 62.0	77.2 72.5	61.5 86.0	132 124
350x300	14x12	377x325 355.6x323.9	279	270	25.8 24.2	31.1 29.2	62.1 58.3	72.5 68.2	82.7 77.7	124 116
350x250	14x10	377x273 355.6x273.1	279	257	25.1 23.7	30.2 28.6	60.5 57.0	70.8 66.7	80.7 76.0	121 114
350x200	14x8	377x219 355.6x219.1	279	248	24.6 23.1	29.7 27.9	59.2 55.7	69.2 65.2	78.0 74.2	118 111
350x150	14x6	377x159 355.6x168.3	279	238	24.0 22.3	29.0 27.0	57.9 54.2	67.8 64.8	77.1 77.8	115 110
400x400	16x16	426x426 406.4x406.4	305	305	33.1 31.4	38.0 36.1	75.9 72.3	101 96.4	101 96.1	170 162
400x350	16x14	426x377 406.4x355.6	305	305	32.0 30.4	36.8 34.9	73.6 70.1	98.1 93.4	97.8 92.9	179 170
400x300	16x12	426x325 406.4x323.9	305	295	31.0 29.2	35.6 34.4	71.4 69.1	95.2 90.8	94.7 89.2	173 168
400x250	16x10	426x273 406.4x273.1	305	283	30.2 28.7	34.7 33.0	69.9 66.6	93.1 88.7	92.5 87.8	169 161

上述尺寸符合GB/T12459、GB/T13401、SH 3408、SH 3409、HG/T 21635、HG/T 21631、SY/T 05010、ASME B16.9标准。

Above dimensions acc. to GB/T 13401、SH 3408、SH 3409、HG/T 21635、HG/T 21631、SY/T 05010、ASME B16.9.

理论重量按ASME B36.10M、B36.19M标准壁厚测算。

Weights are approximate and based on manufacture's data, according to ASME B36.10M、B36.19M,

大小头(同心、偏心) Reducers(concentric and eccentric)



公称直径 Nominal diameter		外径 Outside diameter D1xD2	端面至 端面的距离 End to end H	理论重量kg/pc Approx weight					
DN	NPS			sch5S	sch10S	sch20/LG	sch40S/STD	sch80S/XS	sch80
20x15	3/4x1/2	25x18 26.7x21.3	38	0.03 0.04	0.04 0.04	0.06 0.06	0.06 0.06	0.07 0.07	0.07 0.07
25x20	1x3/4	32x25 33.4x26.7	51	0.06 0.06	0.09 0.10	0.11 0.11	0.11 0.11	0.14 0.15	0.14 0.15
25x15	1x1/2	32x18 33.4x21.3	51	0.05 0.06	0.08 0.09	0.09 0.10	0.09 0.10	0.12 0.13	0.12 0.13
32x25	1 1/4x1	38x32 42.2x33.4	51	0.07 0.08	0.11 0.12	0.14 0.15	0.14 0.15	0.18 0.20	0.18 0.20
32x20	1 1/4x3/4	38x25 42.2x26.7	51	0.06 0.07	0.10 0.11	0.13 0.14	0.13 0.14	0.16 0.18	0.16 0.18
32x15	1 1/4x1/2	38x18 42.2x21.3	51	0.06 0.07	0.09 0.11	0.11 0.13	0.11 0.13	0.14 0.17	0.14 0.17
40x32	1 1/2x1 1/4	45x38 48.3x42.2	64	0.11 0.11	0.17 0.19	0.22 0.24	0.22 0.24	0.29 0.32	0.29 0.32
40x25	1 1/2x1	45x32 48.3x33.4	64	0.10 0.10	0.16 0.17	0.20 0.22	0.20 0.22	0.27 0.29	0.27 0.29
40x20	1 1/2x3/4	45x25 48.3x26.7	64	0.06 0.10	0.15 0.16	0.18 0.20	0.18 0.20	0.24 0.26	0.24 0.26
40x15	1 1/2x1/2	45x18 48.3x21.3	64	0.06 0.09	0.13 0.15	0.16 0.19	0.16 0.19	0.21 0.24	0.21 0.24
50x40	2x1 1/2	57x45 60.3x48.3	76	0.16 0.17	0.26 0.27	0.35 0.37	0.35 0.37	0.47 0.51	0.47 0.51
50x32	2x1 1/4	57x38 60.3x42.2	76	0.15 0.16	0.24 0.26	0.32 0.35	0.32 0.35	0.44 0.46	0.44 0.46
50x25	2x1	57x32 60.3x33.4	76	0.14 0.14	0.22 0.24	0.30 0.32	0.30 0.32	0.41 0.44	0.41 0.44
65x50	2 1/2x2	76x57 73.0x60.3	89	0.30 0.30	0.43 0.43	0.70 0.70	0.70 0.70	0.92 0.92	0.92 0.92
65x40	2 1/2x1 1/2	76x45 73.0x48.3	89	0.28 0.28	0.40 0.40	0.64 0.63	0.64 0.63	0.84 0.83	0.84 0.83
65x32	2 1/2x1 1/4	76x38 73.0x42.2	89	0.26 0.27	0.38 0.38	0.60 0.60	0.60 0.60	0.79 0.79	0.79 0.79
65x25	2 1/2x1	76x32 73.0x33.4	89	0.25 0.25	0.36 0.35	0.57 0.56	0.57 0.56	0.75 0.73	0.75 0.73
80x65	3x2 1/2	89x76 88.9x73.0	89	0.38 0.37	0.54 0.53	0.93 0.91	0.93 0.91	1.26 1.26	1.26 1.26
80x50	3x2	89x57 88.9x60.3	89	0.34 0.35	0.48 0.49	0.83 0.84	0.83 0.84	1.11 1.13	1.11 1.13

上述尺寸符合GB/T12459、GB/T13401、SH 3408、SH 3409、HG/T 21635、HG/T 21631、SY/T 05010、ASME B16.9标准。

Above dimensions acc. to GB/T 13401、SH 3408、SH 3409、HG/T 21635、HG/T 21631、SY/T 05010、ASME B16.9.

理论重量按ASME B36.10M、B36.19M标准壁厚测算。

Weights are approximate and based on manufacture's data, according to ASME B36.10M、B36.19M,

工业管件/法兰系列

Industrial fittings flange series

大小头(同心、偏心) Reducers(concentric and eccentric)



公称口径 Nominal diameter		外径 Outside diameter	端面至 端面的距离 End to end	理论重量kg/pc Approx weight					
DN	NPS	D1xD2	H	sch5S	sch10S	sch20/LG	sch40S/STD	sch80S/XS	sch80
80x40	3x1 1/2	89x45 88.9x48.3	89	0.31 0.32	0.45 0.45	0.76 0.78	0.76 0.78	1.02 1.05	1.02 1.05
90x80	3 1/2x3	101.6x88.9	102	0.50	0.72	1.29	1.17	1.77	-
90x65	3 1/2x2 1/2	101.6x73.0	102	0.46	0.66	1.12	1.12	1.63	1.63
90x50	3 1/2x2	101.6x60.3	102	0.43	0.62	1.10	1.10	1.51	1.51
90x40	3 1/2x1 1/2	101.6x48.3	102	0.41	0.58	1.03	1.03	1.40	1.40
100x90	4x3 1/2	114.3x101.6	102	0.57	0.82	1.55	1.55	2.41	2.41
100x80	4x3	108x89 114.3x88.9	102	0.52 0.54	0.75 0.77	1.41 1.46	1.41 1.46	1.94 2.02	1.94 2.02
100x65	4x2 1/2	108x76 114.3x73.0	102	0.49 0.50	0.70 0.72	1.32 1.35	1.32 1.35	1.82 1.87	1.82 1.87
100x50	4x2	108x57 114.3x60.3	102	0.44 0.48	0.64 0.68	1.19 1.27	1.19 1.27	1.64 1.75	1.64 1.75
125x100	5x4	133x108 141.3x114.3	127	1.04 1.11	1.27 1.35	2.35 2.50	2.35 2.50	3.33 3.55	3.33 3.55
125x90	5x3 1/2	141.3x101.6	127	1.06	1.29	2.38	2.38	3.38	3.38
125x80	5x3	133x89 141.3x88.9	127	0.97 1.01	1.18 1.23	2.17 2.27	2.17 2.27	3.07 3.22	3.07 3.22
125x65	5x2 1/2	133x76 141.3x73.0	127	0.92 0.85	1.12 1.16	2.06 2.14	2.06 2.14	2.91 3.02	2.91 3.02
150x125	6x5	159x133 168.3x141.3	140	1.40 1.48	1.71 1.81	3.42 3.64	3.42 3.64	5.14 5.47	5.14 5.47
150x100	6x4	159x108 168.3x114.3	140	1.29 1.37	1.58 1.67	3.15 3.35	3.15 3.35	4.72 5.03	4.72 5.03
150x90	6x3 1/2	168.3x101.6	140	1.32	1.61	3.23	3.23	4.83	4.83
150x80	6x3	159x89 168.3x88.9	140	1.21 1.26	1.48 1.53	2.96 3.07	2.96 3.07	4.41 4.58	4.41 4.58
200x150	8x6	219x159 219.1x168.3	152	2.00 2.04	2.70 2.75	5.65 5.77	5.65 5.77	8.55 8.73	8.55 8.73
200x125	8x5	219x133 219.1x141.3	152	1.90 1.93	2.56 2.60	5.35 5.44	5.35 5.44	8.09 8.23	8.09 8.23

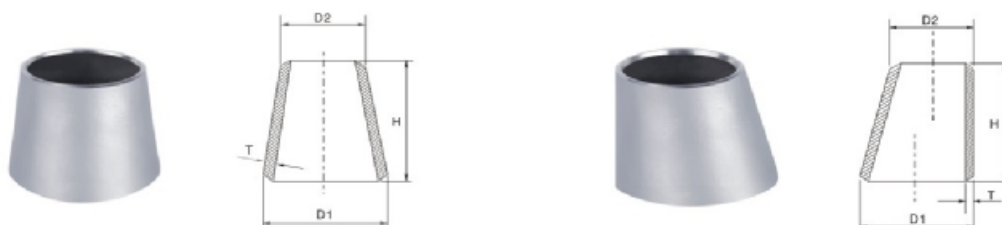
上述尺寸符合GB/T12459、GB/T13401、SH 3408、SH 3409、HG/T 21635、HG/T 21631、SY/T 05010、ASME B16.9标准。

Above dimensions acc. to GB/T 13401、SH 3408、SH 3409、HG/T 21635、HG/T 21631、SY/T 05010、ASME B16.9.

理论重量按ASME B36.10M、B36.19M标准壁厚测算。

Weights are approximate and based on manufacture's data, according to ASME B36.10M、B36.19M,

大小头(同心、偏心) Reducers(concentric and eccentric)



公称直径 Nominal diameter		外径 Outside diameter	端面至 端面的距离 End to end	理论重量kg/pc Approx weight					
DN	NPS	D1xD2	H	sch5S	sch10S	sch20/LG	sch40S/STD	sch80S/XS	sch80
250x150	10x6	273x159 273.1x168.3	178	3.38 3.43	4.15 4.21	8.83 8.96	14.0 14.2	14.0 14.2	14.0 14.2
250x125	10x5	273x133 273.1x141.3	178	3.25 3.29	3.99 4.04	8.47 8.59	13.4 13.6	13.4 13.6	13.4 13.6
200x100	8x4	219x108 219.1x114.3	152	1.80 1.83	2.43 2.46	5.07 5.14	5.07 5.44	7.64 7.65	7.64 7.65
250x200	10x8	273x219	178	3.72	4.56	9.74	15.5	15.5	15.5
300x250	12x10	325x273 323.9x273.1	203	5.98 5.97	6.89 6.88	13.9 13.9	15.0 15.0	18.3 18.3	24.8 24.8
300x200	12x8	325x219 323.9x219.1	203	5.57 5.56	6.42 6.41	12.9 12.9	14.0 13.9	17.0 17.0	23.0 23.0
300x150	12x6	325x159 323.9x168.3	203	5.17 5.22	5.95 6.00	12.0 12.1	12.9 13.0	15.7 15.9	21.2 21.4
350x300	14x12	377x325 355.6x323.9	330	11.4 11.0	13.7 13.2	26.6 25.6	30.9 29.8	35.1 33.6	51.6 49.8
350x250	14x10	377x273 355.6x273.1	330	10.6 10.2	12.8 12.3	24.8 23.8	28.8 27.7	32.7 31.4	48.0 46.1
350x200	14x8	377x219 355.6x219.1	330	9.89 9.46	11.9 11.4	23.0 22.0	26.7 25.5	30.3 29.0	44.5 42.5
350x150	14x6	377x159 355.6x168.3	330	9.63 9.22	11.0 10.5	21.1 20.2	24.5 23.5	27.8 26.6	40.7 38.9
400x350	16x14	426x377 406.4x355.6	356	14.9 14.1	16.9 16.1	32.9 31.2	43.5 41.2	43.5 41.2	71.7 67.9
400x300	16x12	426x325 406.4x323.9	356	14.0 13.6	16.0 15.4	31.0 29.9	40.9 39.5	40.9 39.5	67.4 65.1
400x250	16x10	426x273 406.4x273.1	356	13.2 12.7	15.0 14.5	29.1 28.1	38.4 37.1	38.4 37.1	63.1 60.9
400x200	16x8	426x219 406.4x219.1	356	12.4 11.9	14.1 13.6	27.3 26.2	36.0 34.6	36.4 34.6	59.1 56.7
400x150	16x6	426x159 406.4x168.3	356	11.5 9.96	13.1 12.7	25.3 24.5	33.3 32.3	33.3 32.3	54.5 52.7
450x400	18x16	478x426 457x406.4	381	17.9 17.1	20.4 19.5	39.7 37.9	58.8 56.1	52.6 50.1	96.1 91.6
450x350	18x14	478x377 457x355.6	381	17.1 16.2	19.4 18.5	37.7 35.8	55.8 53.0	49.9 47.4	91.1 86.3
450x300	18x12	478x325 457 323.9	381	16.2 15.7	18.5 17.9	35.8 34.7	53.0 51.2	47.4 45.8	86.3 83.4

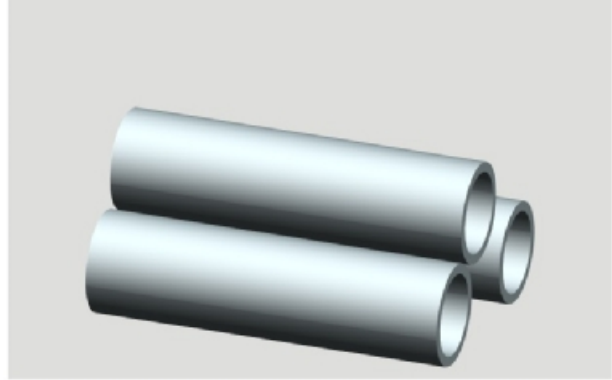
上述尺寸符合GB/T12459、GB/T13401、SH 3408、SH 3409、HG/T 21635、HG/T 21631、SY/T 05010、ASME B16.9标准。

Above dimensions acc. to GB/T 13401、SH 3408、SH 3409、HG/T 21635、HG/T 21631、SY/T 05010、ASME B16.9.

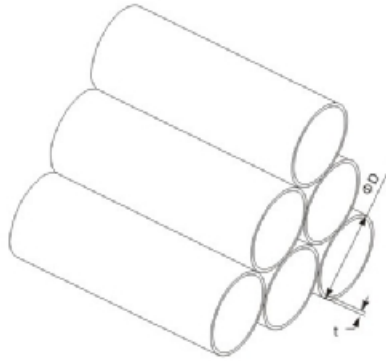
理论重量按ASME B36.10M、B36.19M标准壁厚测算。

Weights are approximate and based on manufacture's data, according to ASME B36.10M、B36.19M,

工业钢管 Industrial tube



钢管Tube



技术参数 Technical Parameters

Size: 1/2"-8", DN10-DN200

材质: 304/1.4301; 316L/1.4404; ASME BPE 316L; 1.4435NB2 Fe≤0.5%;

标准: DIN 11850/DIN11866/ISO1127/ISO 2037/BS4825/ISO2851

认证: 3A-63-03; EN10204-3.1;

抛光: 机械抛光&电抛光

粗糙度: DIN 11866&ASME BPE

Material: 304 / 1.4301; 316L / 1.4404; ASME BPE 316L; 1.4435NB2 Fe≤0.5%;

Standard: DIN 11850 / DIN11866 / ISO1127 / ISO 2037 / BS4825 / ISO2851

Certification: 3A-63-03; EN10204-3.1;

Polishing: mechanical polishing & electro-polishing

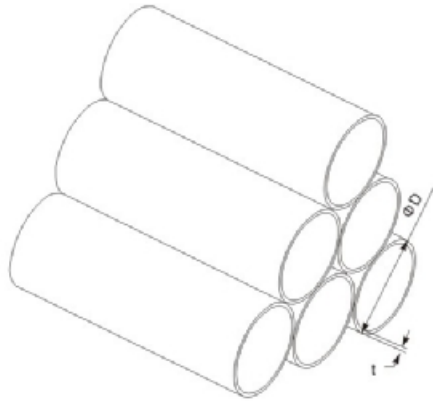
Roughness: DIN 11866 & ASME BPE

Nom Pipe Size	O. D, in Inches	sch5	sch10s	sch10	sch20	sch30	sch40S (Stan.)	sch40
1/8	0.405	-	1.24	等同于 SCH10S	等同于 SCH10S	等同于 SCH10S	1.73	1.73
1/4	0.54	-	1.65				2.24	2.24
3/8	0.675	-	1.65				2.31	2.31
1/2	0.84	1.65	2.11				2.77	2.77
3/4	1.05	1.65	2.11				2.87	2.87
1	1.315	1.65	2.77				3.38	3.38
1 1/4	1.66	1.65	2.77				3.56	3.56
1 1/2	1.9	1.65	2.77				3.68	3.68
2	2.375	1.65	2.77				3.91	3.91
2 1/2	2.875	2.11	3.18				5.16	5.16
3	3.5	2.11	3.18				5.49	5.49
3 1/2	4	2.11	3.18				5.74	5.74
4	4.5	2.11	3.18				6.02	6.02
5	5.563	2.77	3.40				6.55	6.55
6	6.625	2.77	3.40				7.11	7.11
8	8.625	2.77	3.76				8.18	8.18
10	10.75	3.40	4.19				9.27	9.27
12	12.75	4.01	4.78				10.31	10.31
14	14	3.96	6.35	11.13	11.13			
16	16	4.19	6.35	12.70	12.70			
18	18	4.19	6.35	14.27	14.27			

Nom Pipe Size	O. D, in Inches	sch60	sch80s (XS)	sch80	sch100	sch120	sch140	sch160	XXS		
1/8	0.405	等同于 SCH40	2.40	2.41	等同于 SCH80	等同于 SCH80	等同于 SCH80	等同于 SCH80	等同于 SCH80		
1/4	0.54		3.02	3.02						4.78	4.78
3/8	0.675		3.20	3.20						5.56	5.56
1/2	0.84		3.73	3.73						6.35	6.35
3/4	1.05		3.91	3.91				7.14	7.14		
1	1.315		4.55	4.55				7.82	7.82		
1 1/4	1.66		4.85	1.85				8.48	8.48		
1 1/2	1.9		5.08	5.08				9.09	9.09		
2	2.375		7.14	7.14				9.70	9.70		
2 1/2	2.875		7.01	7.01				10.16	10.16		
3	3.5		7.62	7.62				10.67	10.67		
3 1/2	4		8.08	8.08				11.17	11.17		
4	4.5		8.56	8.56				11.67	11.67		
5	5.563		9.53	9.53				12.17	12.17		
6	6.625	10.97	10.97	12.67	12.67						
8	8.625	10.31	12.70	12.70	15.09	18.26	20.62	23.01	17.12		
10	10.75	12.70	12.70	15.09	18.26	22.45	25.40	28.58	19.05		
12	12.75	14.27	12.70	17.48	21.44	25.40	28.58	33.32	21.95		
14	14	15.09	12.70	19.05	23.82	28.58	31.75	32.71	22.23		
16	16	16.66	12.70	21.44	26.19	31.75	36.53	40.49	25.40		
18	18	19.05	12.70	23.83	29.36	34.93	39.67	45.24	25.40		

卫生钢管 Sanitary tube

钢管 Tube



ISO/IDF			SMS-DS				3A			ISO2037(ISO2851)	
SIZE	D	t(mm)	SIZE	D	t(mm)		SIZE	D	t(mm)	SIZE	t(mm)
					1	2					
1/2"	12.7	1.5/1	25	25	1.25	1.5	1/2"	12.7	1.65	12	1.0
3/4"	19.1	1.5/1	32	32	1.25	1.5	3/4"	19	1.65	12.7	1.0
1"	25.4	1.5/1.2	38	38	1.25	1.5	1"	25.4	1.65	17.2	1.0
1 1/4"	31.8	1.5/1.2	51	51	1.25	1.5	1 1/2"	38.1	1.65	21.3	1.0
1 1/2"	38.1	1.5/1.2	63.5	63.5	1.5	2.0	2"	50.8	1.65	25	1.2; 1.6
45	45	2.0	76	76	1.6	2.0	2 1/2"	63.5	1.65	33.7	1.2; 1.6
48	48	1.5	89	89	2.0	2.0	3"	76.2	1.65	38	1.2; 1.6
2"	50.8	1.5	101.6	101.6	2.0	2.0	4"	101.6	2.1	40	1.2; 1.6
57	57	2.0					6"	152.4	2.8	51	1.2; 1.6
2 1/2"	63.5	2.0					8"	203.2	2.8	63.5	1.6
3"	76.2	2.0					10"	254	3.4	70	1.6
3 1/2"	89	2.0					12"	305	3.4	76.1	1.6
4"	101.6	2.0								88.9	2.0
108	108	2.0								101.6	2.0
114.3	114.3	2.0								114.3	2.0
133	133	3.0								139.7	2.0
159	159	3.0								138.3	2.6
204	204	2.0								219.1	2.6

DIN 11850					BS4825				ISO 1127			JIS G3447		
SIZE	Dxt	Dxt	Dxt	Dxt	SIZE	D	t(mm)		SIZE	D	t(mm)	SIZE	D	t(mm)
							1	2						
DN10	12x1.0	13x1.5	14x2.0	12x1.5	12.7	12.7	1.2	1.2	26.9	26.9	1.6	1"	25.4	1.2
DN15	18x1.0	19x1.5	20x2.0	18x1.5	15.88	15.88	1.2	1.2	33.7	33.7	2.0	1 1/4"	31.8	1.2
DN20	22x1.0	23x1.5	24x2.0	22x1.5	19.05	19.05	1.2	1.2	42.4	42.4	2.0	1 1/2"	38.1	1.2
DN25	26x1.0	29x1.5	30x2.0	26x1.5	25.4	25.4	1.2	1.6	48.3	48.3	2.0	2"	50.8	1.5
DN32	34x1.0	35x1.5	36x2.0	34x1.5	38.1	38.1	1.2	1.6	60.3	60.3	2.0	2.5"	63.5	2.0
DN40	40x1.0	41x1.5	42x2.0	40x1.5	50.8	50.8	1.2	1.6	76.2	76.2	2.0	3"	76.2	2.0
DN50	52x1.0	53x1.5	54x2.0	52x1.5	63.5	63.5	1.6	1.6	88.9	88.9	2.0	3 1/2"	89	2.0
DN65	70x2.0	70x2.0	70x2.0	70x2.0	76.2	76.2	1.6	1.6	114.3	114.3	2.0	4"	101.6	2.0
DN80	85x2.0	85x2.0	85x2.0	85x2.0	101.6	101.6	2.0	2.0	139.7	139.7	2.0			
DN100	104x2.0	104x2.0	104x2.0	104x2.0	114.3	114.3	2.0	2.0	168.3	168.3	3.6			
DN125	129x2.0	129x2.0	129x2.0	129x2.0	139.7	139.7	2.0	2.0	219.1	219.1	3.6			
DN150	154x2.0	154x2.0	154x2.0	154x2.0	168.3	168.3	2.6	2.6						
DN200	204x2.0	204x2.0	204x2.0	204x2.0	219.1	219.1	2.6	2.6						
	Series1 系列1	Series2 系列2	Series3 系列3	Recommended Series 推荐系列										



CHINA DONJOY TECHNOLOGY CO.,LTD.

DONJOY looking forward to your visit! Your telecommunications!



中国·东正 科技有限公司

温州空港新区：
温州通海大道港富路25号
总机：0577-86990888
传真：0577-86998000

Wenzhou airport Area:
No.25 Gangfu Road,Tonghai Avenue,
wenzhou
Tel: +86-577-86990888
Fax: +86-577-86998000
E-mail: donjoy@cndonjoy.com

www.cndonjoy.com

法律声明：

目录样册版本属东正所有，如有抄袭东正将追究其法律责任和经济赔偿。东正已获得国家版权局书刊号。东正众多技术设计，都具有专利保护，如有抄袭，东正必将追究法律责任和经济赔偿。