

High purity pumps

东正一直致力于技术革新
是您值得信赖的事业伙伴
**Donjoy has been committed to
technical innovation, is your trustworthy
business partner!**

目录册技术资料仅供参考，
东正保留更新和升级的权利，恕不另行通知！

Catalogue technical information only for reference.
Donjoy reserves the rights to update and upgrade
without prior notice.

法律声明:

目录样册版权归东正所有，
如有抄袭，必将追究其法律责任和经济赔偿。
东正已获得国家版权局书刊号。
东正诸多产品技术，都具有专利保护，
如有抄袭，必将追究法律责任和经济赔偿。

Legal statement:

Copyright of the catalogue belongs to Donjoy.
If there is plagiarism, it will be investigated for legal
responsibility and economic compensation.
Donjoy has been granted publications number by
Chinese National Copyright.
Donjoy products and technology are with patent protection.
If there is plagiarism, it will be investigated for legal
responsibility and economic compensation.

温州空港新区总部生产基地 Wenzhou airport economic zone production base



占地面积约29000m²，总投资约1.2亿RMB，约2000万USD。

Covering an area of 29000 m², with total investment after construction is expected to 120 million yuan, about 20 million USD.

领先源于创新 创新源于专业

东正的专业与品质的邂逅源于创新的精神

东正创立于1993年，注册资本6088万(约1000万USD)，是一家专注于高精度PID阀门定位器，阀门控制单元，阀门位置反馈器、智能自控阀、比例调节阀、过程控制阀、高洁净泵、均质混合泵、清洗技术、压力容器和管道安全控制技术、高洁净管材和管道配件，集研发、生产与销售为一体的国家高新技术企业。产品用途涉及行业和领域有生物制药、食品饮料、酿酒、精细化工等工业领域。东正领先的技术和持续创新解决方案，对满足全球，尤其是新兴市场不断增长生物制药和食品饮料行业的需求起到了积极作用。

东正制造的产品母材料、加工技术、焊接技术、表面处理等技术指标均已达到国际领先水平。且符合ASME BPE、EHEDG、FDA、3A等一系列国际标准和规范要求。先后通过了由德国 TÜV 机构实施的欧盟承压设备指令(PED-97/23/EC)和(MD-06/42/EC)认证；美国 3A机构实施的3-A卫生标准认证；中国安全阀特种制造设备(TS)许可证和中国质量认证中心CQC ISO9001:2015 质量管理体系认证等多项国际权威认证。

东正凭借领先的技术、优异的品质和完善的售后服务体系，公司荣获为《国家高新技术企业》，《浙江省著名商标》、《科技型企业》、《创新型企业》、《专利示范企业》、《研发中心企业》，《守合同重信用AAA企业》等众多荣誉称号。





Leading from innovation, innovation from the professionalism! Donjoy's professionalism and quality come from the spirit of innovation!

Donjoy was founded in 1993, with registered capital RMB 60.88 million (about 10million USD) We focus on developing high-precision PID valve positioner, Valve Control unit, Valve Position feedback device, intelligent automatic control valve, proportional valve, process control valve, high purity pump, homogeneous mixing pump, cleaning technology, pressure vessel, pipeline safety control technology, high clean pipe fitting&pipeline accessories and integrating r&d, production and sales as an integrated national high-tech enterprises. Donjoy's products are widely used in bio-pharmaceutical, food and beverage, wine, fine chemicals and other industrial fields. Donjoy's leading technology and innovation solutions meets growing demand in the industry of bio-pharmaceutical, food and beverage from the whole world, special emerging market.

Raw material, processing technology, welding technology, surface treatment and other technology from Donjoy have achieved advanced level in international market. It also complies with a series of international standards and specifications such as ASME BPE, EHEDG, FDA and 3A , It has passed the EU Pressure Equipment Directive (PED-97/23/EC) and (MD-06/42/EC) issued by the German TÜV organization; the 3-A health standard certification issued by the 3A organization; China Safety Valve Special Manufacturing Equipment (TS) License , China Quality Certification Center (CQC) and Quality Management System Certification (ISO9001:2015) and many other international authoritative certifications.

With advanced technology, excellent quality and perfect after-sales service system, Donjoy was awarded as National High-tech Enterprise, Provincial Famous Trademark, Science and Technology Enterprise, Innovative Enterprise, Patent Demonstration Enterprise, R & D Center Enterprise, AAA Credit Enterprise and many other honorary.



全面的创新技术能力
为您带来创造性的解决方案



Comprehensive innovation technology, capabilities Bring you creative solutions

东正拥有诸多领先的产品技术，如各种比例调节阀、过程自控阀、生物制药隔膜阀、防混双座阀、压力容器和管道安全控制技术、清洗技术、高洁净转子泵、螺杆泵、离心泵、自吸泵、均质乳化泵、均质混合泵、卫生管件和无菌管件等.....

Donjoy owes many leading technology products, such as various proportioning regulating valve, process automatic control valve, pharmaceutical diaphragm valve, mixed double seat valve, pressure vessel and pipeline safety control technology, clean technology, high cleanliness rotor pump, screw pump, centrifugal pump, self-priming pump, homogeneous emulsion pump, homogeneous mixing pump, sanitary fittings, aseptic pipe fittings and so on.



企业的成功源于创新。东正的成功基于创始人“开拓创新、追求卓越”的创新精神，1994年东正开发了第一只高洁净的蝶阀，这只蝶阀是东正的起始点。

控制器的研发成就完美的过程自动控制，2004年东正成功研发了技术领先的阀门定位器、阀门控制单元。

高洁净泵的研发确保物料输送的洁净，2006年东正成功研发了高精度的转子泵、离心泵、混合泵、自吸泵。

我们一直走在行业与时代的前沿，把不断革新、日新月异的市场发展和客户需求作为自身最大的挑战。东正有自己的独立的思维和视野，始终保持领先致力于产品在新经济领域中的开发和应用。未来我们将一如既往的坚持以技术创新、以顾客为导向走向新的成功。



Success of an enterprise stems from innovation. Donjoy's success is based on the founder's innovative spirit of "pioneering innovation and pursuing excellence". In 1994, Donjoy developed the first highly purity butterfly valve, which was the starting point of Donjoy.

Research and development of the controller achieves perfect automatic process control. In 2004, Donjoy has successfully developed advanced valve positioner and valve control unit.

Research and development of high purity pump to ensure the purity of medium transportation. In 2006, Donjoy has successfully developed high precision lobe pump, centrifugal pump, mixing pump and self-priming pump.

We are always at the forefront of the industry and times, taking the continuous innovation of technology, rapid market development and customer demand as our biggest challenge. Donjoy has its own independent thought and horizons, and always maintains a leading position in the development and application of products in the new economic field. In future, we will continue to adhere to technological innovation and customer-oriented towards new success.



精益加工车间 Lean processing workshop



东正以科学技术领先为第一生产力，也是企业核心竞争力。只有不断投入核心技术研发和创新，不断追求卓越、精益求精、以先进生产设备，严格的质量管理体系，严谨的检测流程、保证每款产品的优良性能。

Donjoy takes leading in science and technology as the first productivity as well as the core competitiveness of the enterprise. With continuous investment in core technology research, development and innovation; constant pursuit of prominence and excellence; advanced production equipment; strict quality management system; and rigorous testing process, we ensure excellent quality and performance of every product.



机器人生产线 Robot production line

装配车间 Assembly workshop



荣誉与资质 Honor and qualification

	<p>3A</p> <p>东正是美国3A认证组织的成员。3A是一个自愿组织，致力于维护公共卫生和奶制品产品质量通过独特的行业监管程序的设备，用于处理乳制品的卫生标准3-A。</p> <p>Donjoy is a member of US 3A Certification Organization, 3A is a voluntary organization dedicated to maintaining the quality of public health and dairy products through a unique industry regulatory process for the treatment of dairy product hygiene standards 3-A.</p> <ul style="list-style-type: none"> ◆54-02 (Diaphragm-Type Valves)-NUMBER: 1580-隔膜阀 ◆02-11 (Centrifugal and Positive Rotary Pumps) NUMBER: 1579-高洁净泵 ◆85-03 (Double-Seal Mixproof Valves) NUMBER: 1797-双座防混阀 ◆64-03 (Pressure Reducing and Back Pressure Regulating Valves) NUMBER: 1764-减压阀&调节阀 ◆53-05 (Compression-Type Valves) -NUMBER: 1782-单座阀(单向阀) ◆68-03 (Ball-Type Valves) NUMBER: 1785-球阀 ◆55-02 (Boot Seal-Type Valves) NUMBER: 1783-无菌取样阀 ◆04-02 (Personnel Access Ports for Wet Applications) NUMBER: 1786-人孔。 ◆63-03 (Sanitary Fittings) NUMBER: 1581-卫生管件
	<p>PED/97/23/EC&MD/06/42/EC</p> <p>由德国TÜV机构实施的欧盟承压设备安全指令 (PED-97/23/EC)，机械安全指令MD-06/42/EC。</p> <p>EU Pressure Equipment Safety Directive (PED-97/23/EC), Machinery Safety Directive MD-06/42/EC, implemented by TÜV, Germany.</p> <ul style="list-style-type: none"> ◆MD/06/42/EC NUMBER: 705201402401-00 - LOBE PUMP转子泵 ◆MD/06/42/EC NUMBER: 705201616101-00 - Centrifugal pump 离心泵 ◆PED/97/23/EC NUMBER: DGR - 0036-QS-1153-14-Valves 阀门系列
	<p>安全阀特种制造许可证(TS) Safety valve special manufacturing license</p> <p>东正通过了安全阀特种制造许可证，目前是国内首家通过“高洁净安全阀特种制造许可证”的企业(安全附件及安全保护装置)。</p> <p>◆其证书编号：TSF 733008-2019</p> <p>Donjoy has passed the safety valve special equipment manufacturing license. Recently, is the first enterprise in China to pass the "Special Manufacturing License for High Clean Safety Valves" (safety accessories and safety protection devices). ◆Certificate number: TSF 733008-2019</p>
	<p>FDA.177.2600</p> <p>东正制造的高洁净阀门和泵以及流体设备等，与物料接触密封面全部通过或符合美国食品和药品管理局和联邦法规第21条即，CFR 21 FDA177.2600和FDA177.1550认证，其涵盖：EPDM VITON (FPM) SILICON HNBR 等橡胶和PTFE 塑料材料。 ◆符合美国 3-A-18-03-CLASS - II</p> <p>The seals of Donjoy's high-cleaning valves, pumps and fluid equipment that contact with material, all pass or comply with the US Food and Drug Administration and Federal Regulations issue 21, i.e. CFR 21 FDA177.2600 and FDA177.1550 certification. The seals cover : EPDM, VITON (FPM), SILICON, HNBR and other rubber & PTFE plastic material. ◆Meets US 3-A-18-03-CLASS - II</p>
	<p>ISO-9001-2015</p> <p>东正通过中国质量认证中心CQC ISO9001-2015/GB/T19001-2015企业质量管理体系认证。 ◆其证书编号：00117Q38464R4M/3302</p> <p>Donjoy passed the China Quality Certification Center CQC, ISO9001-2015/GB/T19001-2015 enterprise quality management system certification. ◆Its certificate number is 00117Q38464R4M/3302.</p>
	<p>卫生许可证 Hygiene License</p> <p>东正通过了省卫生厅卫生阀门、卫生管件等检验且获得了其颁发的证书。 ◆其批准文号：第0056号</p> <p>Donjoy passed the inspection of sanitary valves and sanitary fittings of the Provincial Health Department and obtained the certificate issued by it. ◆Its approval number: No. 0056</p>
	<p>国家高新技术企业 National High-Tech Enterprise</p> <p>东正，经过20余年发展和技术研发，2011年被评定为国家高新技术企业。</p> <p>Donjoy, after more than 20 years of development and technology research & development, was assessed as a national high-tech enterprise in 2011.</p>
	<p>浙江省著名商标 Zhejiang province famous trademark</p> <p>东正，凭借先进的技术、优良的品质和完善的售后服务体系，2012年被浙江省工商厅评定为浙江省著名商标。</p> <p>Donjoy, by virtue of advanced technology, excellent quality and perfect after-sales service system, was recognized as a famous trademark of Zhejiang Province by the Industrial and Commercial Bureau of Zhejiang Province in 2012.</p>

东正不但拥有以上认证和荣誉，且被评定为省科技型、创新型、专利示范、研发中心、重合同守信用等诸多荣誉。并拥有100多项专利技术。

Donjoy not only owes above certification and honors, but also has been evaluated as provincial science and technology type, innovation, patent demonstration, research and development center, contract keeping and other honors. It also owes more than 100 patented technologies.

荣誉与资质 Honor and qualification



东正不但拥有以上认证和荣誉，且被评定为省科技型、创新型、专利示范、研发中心、重合同守信用等诸多荣誉。并拥有100多项专利技术。

Donjoy not only owes above certification and honors, but also has been evaluated as provincial science and technology type, innovation, patent demonstration, research and development center, contract keeping and other honors. It also owes more than 100 patented technologies.

工艺管道连接对泵使用的影响

The effect of pipe connection on pump usage




ABB
IE2 IEC 60034-1
3-Motor

No.	V	Hz	kw	r/min	A	cosφ	F	IP55
	230△	50	1.5	1441	6.11	0.74	S1	
	400 Y	50	1.5	1441	3.53	0.74	S1	
	230△	50	1.5	1435	6.10	0.78	S1	
	380 Y	50	1.5	1435	3.53	0.78	S1	
	460 Y	60	1.5	1741	3.22	0.70	S1	
	440 Y	60	1.5	1735	3.17	0.74	S1	

50Hz:IE2-82.8(100%)
60Hz:IE2-84.0(100%)
Prod.code 3GBA092510-ASCCN
6205-2Z/C3 6024-2Z/C3 23 kg

说明：铭牌图片仅供格式参考，最终数据以实际铭牌为准。
Remark: The format of the rating plate is for reference only, the final figure will be subject to the actual rating plate.

宽电压电机 Wide Voltage Motor

功率 Power(KW)	电压范围 Voltage	功率 Power(KW)	电压范围 Voltage
0.55	210V-230V/50HZ	4.0-5.5	360V-400V/50HZ
0.75		7.5-11	
1.1-1.5	420V-460V/60HZ	15-18.5	420V-460V/60HZ
2.2-3.0		22-30	

注意：电机采用 IEC EN IE2 能效等级，PTC 热敏电阻。（相当于中国二级能效）
Note: The motor adopts IEC EN IE2 energy efficiency class, PTC thermistor. (Corresponding to China level two energy efficiency)
注意：其他电机功率、电压、频率等，请联系东正。
Note: Other motor power, voltage, frequency, etc., please contact DONJOY

O型圈配置 O-ring Configuration

我们所采用密封橡胶都符合 FDA 177.2600; 3-A-18-03; Class II; USP Class VI Chapter 88 GB 4806.11; 等各种卫生高洁净的要求。

EPDM=标准

适用范围：温度 -10°C 到 130°C; PH 值约 5-9, 可耐受各种卫生领域介质及工业化学品, 成本低(推荐)。

FKM(Viton)=选项

适用范围：温度 -10°C 到 150°C; 可耐受各种卫生领域介质及工业化学品、油品等各种介质。

FFKM=选项

适用范围：温度 -30°C 到 250°C; 可耐受各种卫生领域介质及工业化学品、油品等各种介质, 几乎可以涵盖所有介质, 成本较高。

HNBR=选项

适用范围：温度 -10°C 到 150°C; 可耐受各种卫生领域介质及工业油品等各种介质, 特别适用于油品。

The sealing rubbers we use are in compliance with hygienic and high purity requirements, such as FDA 177.2600; 3-A-18-03; Class II; USP Class VI Chapter 88 GB 4806.11 and so on.

EPDM=Standard

Scope of application: Temperature -10 °C to 130°C; PH value about 5-9, can tolerate with various media in the health field and industrial chemicals, low cost (recommended)

FKM(Viton)=Option

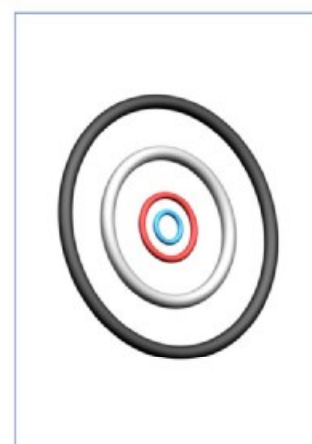
Scope of application: Temperature -10°C to 150 °C; can tolerate with various media in the health field, industrial chemicals, oils and so on.

FFKM=Option

Scope of application: Temperature -30°C to 250°C; can tolerate with various media in the health field, industrial chemicals, oils, etc., can cover almost all media, higher cost

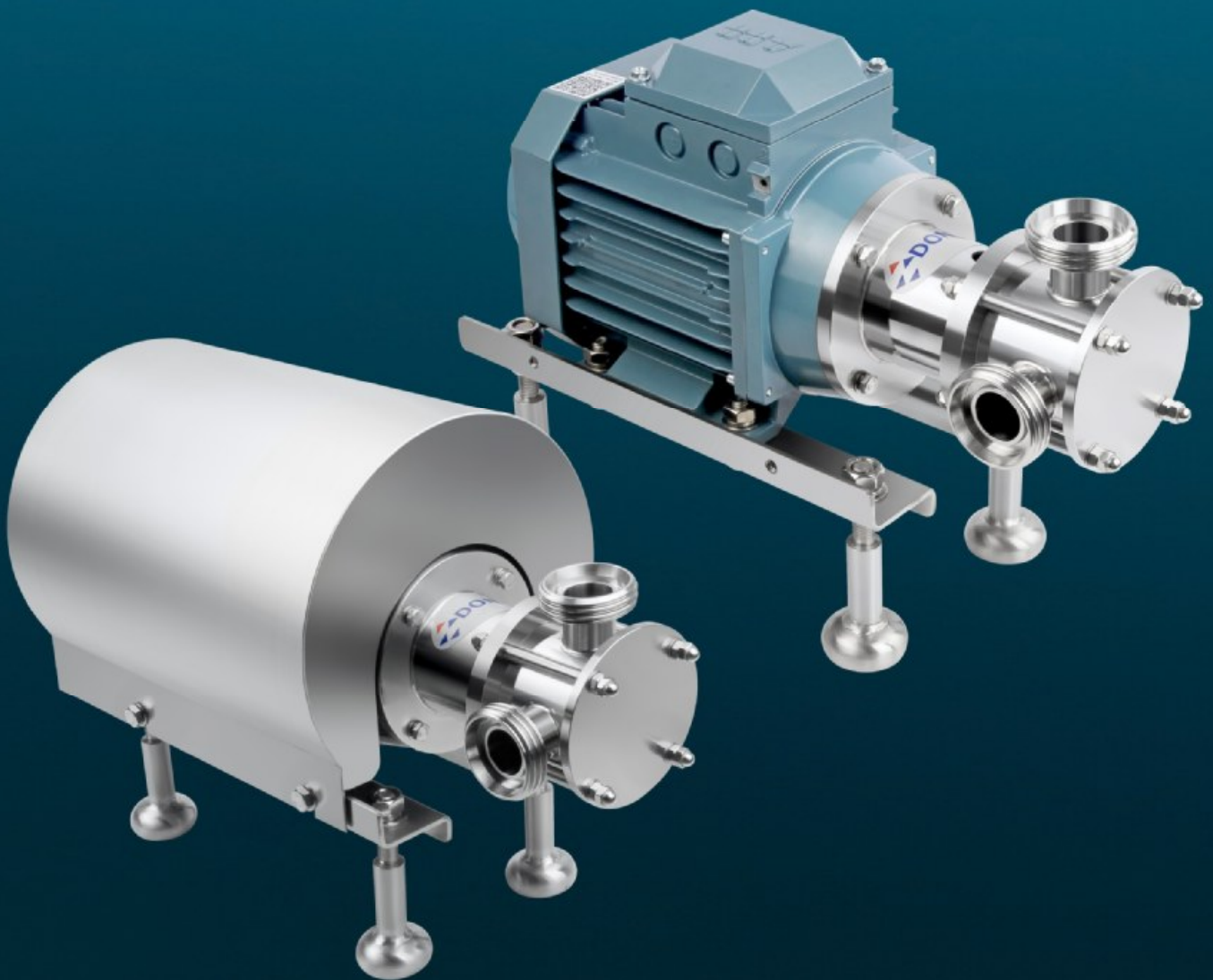
HNBR=Option

Scope of application: Temperature -10 °C to 150°C; can tolerate with various media in the health field, industrial oils, etc., especially suitable for oil products.



RX flexible impeller pump

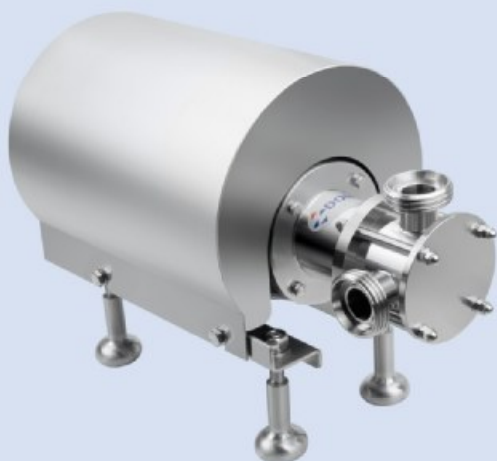
RX 柔性叶轮泵



RX 系列柔性叶轮泵

RX series flexible impeller pump

液体输送的柔性解决方案
Flexible solution for liquid conveying



- DONJOY 一直以来致力于改进柔性叶轮泵。耐压能力的提高，泵体和轴封的创新设计，以及新型叶轮材料的应用使得RX泵(柔性叶轮泵)的适用范围被大大拓宽。

- 出色的自吸特性

柔性叶片泵(RX) 操作简单，是具有出色自吸性能的容积泵，其自吸能力可达到6米。

- 应用范围广

RX泵结构，输送粘性的产品时效率几乎达到抽水的效果。因而其用途非常广泛。

- 非常温和的泵送处理

RX的抽吸处理非常平稳柔和，决不会搅打和损伤产品，即使像高脂肪乳脂那样脆弱的产品。大的浆果，即使有半个桃子大小都可以毫无损伤地通过泵，而且DONJOY的RX泵可保证运行完全无脉动。通过调节泵的转速，它还可以用作定量配料泵。

- 非常简单、维护成本低

与其它经典自吸泵，如气动隔膜式泵和可变容积泵等相比，RX泵的运行成本更低，维护更简便和停工时间更短。只要用一个标准的扳手将前盖拆掉，就可对柔性叶轮进行检修。更为重要的是，不需要将泵与管道系统脱离。

- DONJOY is committed to improve the flexible impeller pump. The application range of RX pump (flexible impeller pump) is being expanded by the improvement of pressure resistance, the innovative design of pump body and shaft seal, and the application of new impeller material.

- Excellent self-priming function

Flexibe impeller pump (RX), with easy operation, is volumetric pump with excellent self-priming function which could reach 6 meters.

- Wide application range

Because of structure, RX pump could get water drawing effect nearly when conveying viscous liquid, so it's with wide range of application.

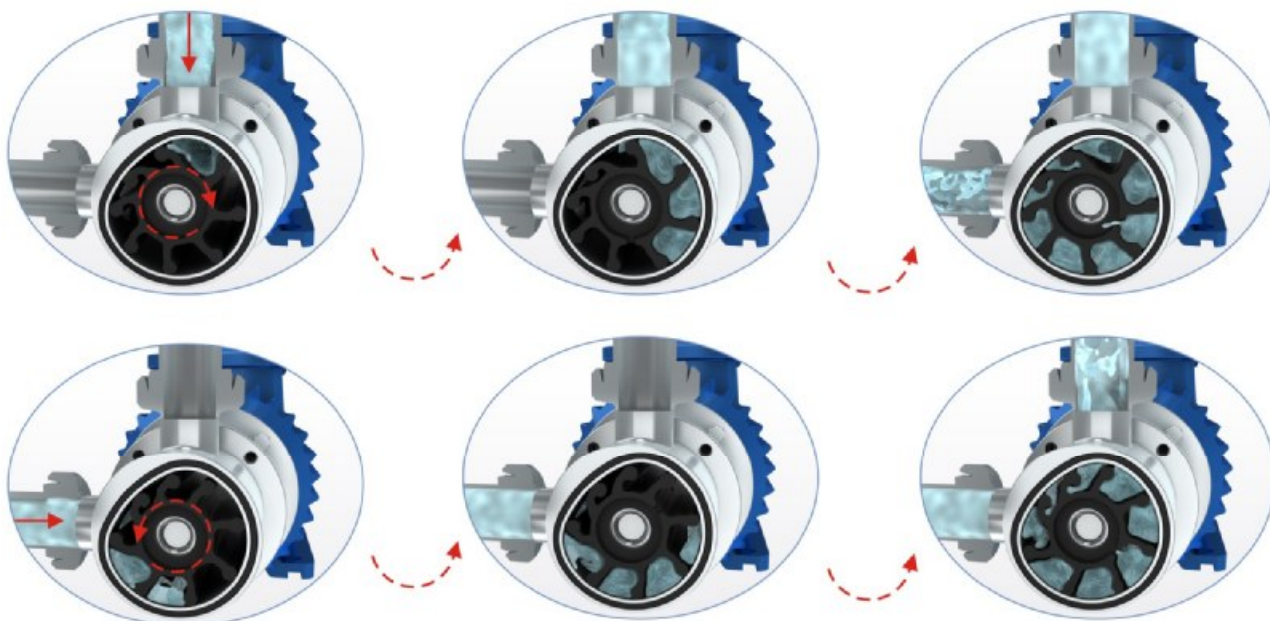
- Moderate pumping

The pumping effect of RX pump is very stable and moderate. The medium won't be whipped and damaged, even if it's fragile media like high fat butterfat. Big berry, even if it's half size of a peach, could be passed through the pump without damage. Meanwhile our RX pump could be guaranteed to run without pulsation completely. It also could be used as dosing pump by adjusting pump speed.

- Simple operation, low maintenance cost.

Compared with other typical self-priming pumps, such as pneumatic diaphragm pumps and variable volumetric pumps, The operating cost of RX pump is lower, maintenance is more simple and downtime is shorter. just need to disassemble front cover by using standard wrench, maintenance could be done on the flexible impeller pump. More importantly, there is no need to detach the pump from piping system.

工作原理 Operating principle



由于泵体定子内表面的偏心构造，在进口处，当体积增大时柔性叶轮的叶片间形成局部真空。由此形成的吸力将液体吸入泵腔中。

At pump inlet, due to the inner eccentric structure of pump stator, partial vacuum between the blades of flexible impeller will be formed when volume is increased. The consequently formed suction will draw liquid into pump chamber.

旋转的叶轮将液体从进口送到出口。在循环的这一阶段中，叶片间的空间实际上保持恒定。叶片之间的间隙允许体积大的固体颗粒能通过泵而对液体又毫无损伤。

The rotating impeller was carried the liquid from inlet to outlet. At this stage, the space between blades actually was kept constant. The gap between blades allows big solid particles to pass through the pump and without damage on liquid.

叶片与泵体定子偏心内表面的平坦部分接触，当叶轮弯曲时，叶片间的容积减少，就将液体连续地、均衡地从泵中排出。

The impeller is contacted with the flat part of the eccentric inner surface in pump stator. When impeller is bent, the volume between blades will be decreased, so the liquid will be discharged continuously and evenly from the pump.

技术参数 Technical Specifications

最大流量 Max flow	20m ³ /h
最大压力 Max pressure	4 bar
最大吸程 Max suction	6 M
最高温度 Max Temperature	80°C
转速 Rotating speed	950RPM-2900RPM
材质 Material	316L/1.4404
表面处理 Surface treatment	Ra ≤ 0.6 μm; Ra ≤ 0.4 μm
认证 Certification	3-A-02-11 No.1759; FDA 177.2600; CE-MD/06-42 No.705201616101-00

典型应用 Typical applications



养殖场:
粪便和污水输送和抽取
Farm:
manure and sewage
transport and extraction



水处理厂:
污泥输送和抽取
Water treatment plant:
sludge transport and
extraction



化工厂:
污水、污泥输送和抽取
Chemical plant:
sewage, sludge transport
and extraction



造纸业和化工
Paper industry and
chemical industry



饮料和果汁
Drinks and juices



果汁和果酱
Juice, drink, jam



乳制品
Dairy products



葡萄酒和软饮料
Wine and soft drinks

RX卫生应用

在食品和奶制品的加工行业中，卫生是极为重要的。RX的设计采用抛光不锈钢和食品或牛奶等级的叶轮，以满足苛刻的卫生要求。不锈钢卫生型RX清洗简便，采用不会造成液体沉积的无槽轴封，采用的叶轮材料经过测试和核准，经鉴定符合美国食品和药物管理局规定。适合该型泵输送的典型产品包括：牛奶、脱脂乳、奶油、凝乳、酸奶、乳清、块状物、糖浆、调味品、凝胶、蜂蜜、果酱、药膏、罐装食品、饮料、葡萄酒、啤酒、果汁和香料。

RX 工业上应用

RX柔性叶轮泵同样可应用在无卫生要求的应用场合，尽管如此，它仍然是最主要的不锈钢泵。RX 不锈钢型泵特别适用于输送如酸性液体、粘土、混凝土添加剂、清洁剂、染料、胶片处理化学品、墨料以及污水处理等。化妆品也经常用这种类型的泵输送，还包括以下产品：肥皂、洗发剂、洗涤剂 and 润肤乳。

RX Application of sanitary

Hygiene is of Paramount importance in the processing of food and dairy products. The RX is designed with polished stainless steel and food or milk grade impeller to meet rigorous hygiene requirements. The stainless steel sanitary RX is easy to clean, which use unsofted shaft seal that does not cause liquid deposition and the used impeller material has been tested and approved, and is certified to comply with FDA regulations. Typical products suitable for delivery by the pump including: milk, skimmed milk, cream, curds, yoghurt, whey, lumps, syrup, condiments, gelatin, honey, jam, ointment, canned food, beverage, wine, beer, fruit juice and spices.

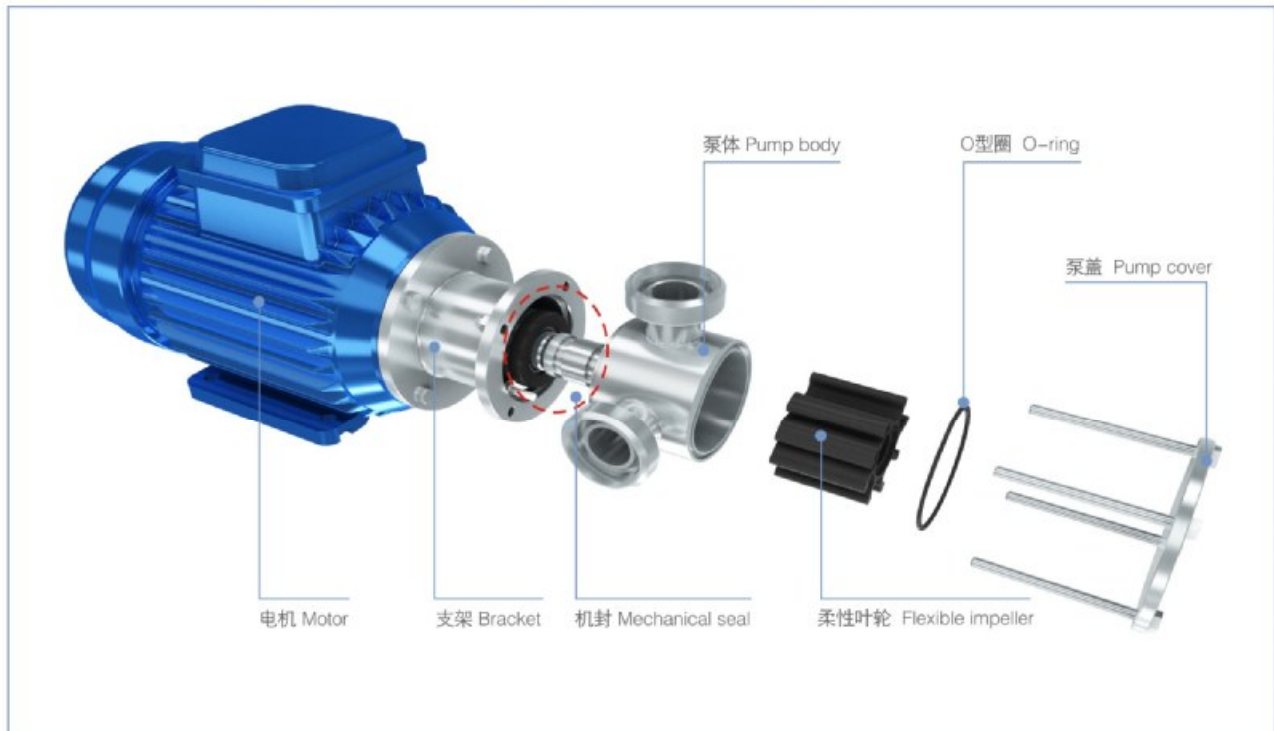
RX Application of industry

RX flexible impeller pump also could be applied to the situation without sanitary requirement. however, it is still as main stainless steel pump. RX stainless steel pump is particularly suitable for conveying acidic liquids, clays, concrete additives, detergents, dyes, film processing chemicals, ink and sewage treatment. Cosmetics are also pumped in this type of pump frequently. including the following products: soap, shampoo, detergent, and moisturizer.

先进的设计、简单的构造 Advanced design, simple construction

维护简便又经济，泵盖由4个锁紧螺帽固定，当要维护泵的叶轮和轴封时，只需要拆掉螺帽。

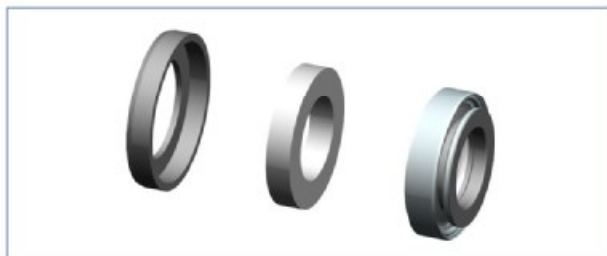
Maintenance is simple and economical. The pump cover is fixed by four locking nuts. When maintaining the impeller and shaft seal of the pump, just need to unscrew the nuts.



电机安装 Motor installation

泵可采用法兰直接与标准的IEC电动机连接,也可采用底座安装

The pump can be directly installed with standard IEC motor by flanges, and also can be installed with baseplate.



采用单机械密封，密封面为碳-金属陶瓷，使用寿命得到延长。在食品卫生级应用场合，机械密封的设计考虑了便于清洗、避免凹槽，因为液体可能在凹槽形成沉积物。

We adopt single mechanical seal, sealing surface is carbon - metal ceramics, service life is extended. In food sanitary application, mechanical seals are designed to be cleaned easily and to be avoided grooves where may be formed with sediment by liquid.

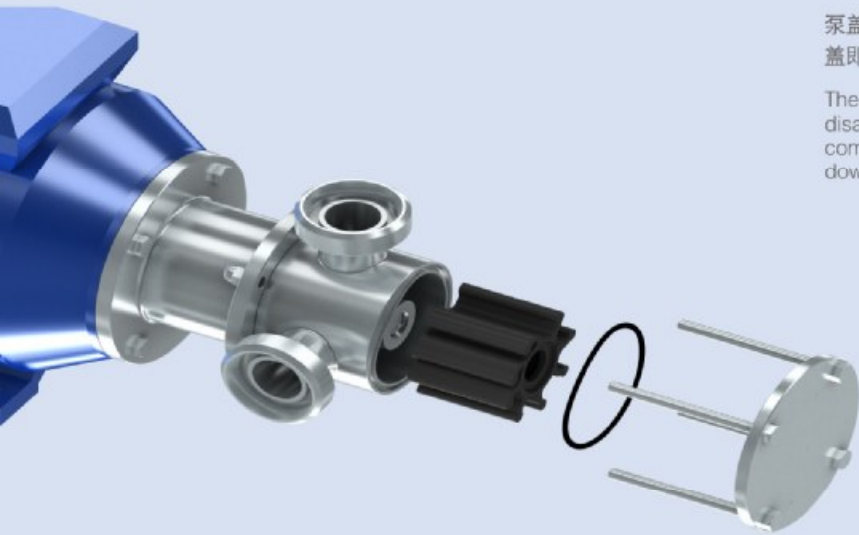
柔性叶轮作为泵的核心部件，转子柔性叶片具有很多优点。柔性转子有多种可供选用的组件，这一特点造就了RX不同凡响的自吸性能，而且允许所输送的液体中含有气体。

Flexible impeller as the core part of the pump, flexible rotor blades is with many advantages. Flexible rotor, with a variety of optional components, which makes Model RX with excellent self-priming performance, and it also could convey the liquid with gas.

机封配置 Mechanical seal configuration

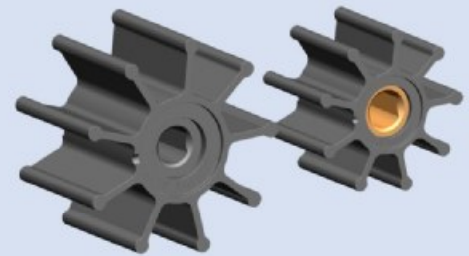
- 1) SIC/C/EPDM
- 2) SIC/C/FKM
- 3) SIC/C/HNBR

维护简便又经济 Economic maintenance



泵盖由4个锁紧螺帽固定，完整检修转子和轴封时，只需拆下泵盖即可。这使得泵非常实用，而且缩短了停工时间。

The pump cover is fixed by four locking nuts. It just need to disassemble pump cover when the rotor and shaft seal are completely overhauled, that makes pump very practical and downtime will be shortened.



柔性叶轮

柔性叶轮作为泵的核心部件，叶轮的柔性叶片造就了泵出色的运转性能。柔性叶片以及泵体定子内表面的偏心构造，使泵具有自吸性能。柔性叶轮还使泵能输送含有气体和空气的液体。由于RX叶轮的设计，RX泵可以输送各种物料以及含有固体和易脆微粒的液体，例如浆果，不会损伤产品也不会损坏泵。由于它是容积泵的设计，故也可用作定量配料泵。不同材质的叶轮适用于不同的应用场合。比如，当输送食品和奶制品时，食品等级的橡胶叶轮被证实和鉴定符合严格的要求规定。

Flexible impeller

Flexible impeller as the core part of the pump, the flexible blades of impeller forms pump excellent performance. The eccentric structure of the flexible blades and the inner surface of the stator of the pump body makes the pump with self-priming performance. It also could deliver liquid containing gas and air by such impeller. RX pump could be delivered various material and liquid with solid and brittle particle such as berry, without damage on product and pump, by such impeller design. Since it is a volumetric pump design, it can also be used as a dosing pump. Different material of impeller is suitable for different application. For example, when transporting food and dairy products, food-grade rubber impeller is certified and meet strict requirements.

宽电压电机 Wide Voltage Motor

功率 Power(KW)	电压范围 Voltage	功率 Power(KW)	电压范围 Voltage
0.55	210V-230V/50HZ	4.0-5.5	360V-400V/50HZ
0.75		7.5-11	
1.1-1.5	420V-460V/60HZ	15-18.5	420V-460V/60HZ
2.2-3.0		22-30	

注意：电机采用 IEC EN IE2 能效等级，PTC 热敏电阻。（相当于中国二级能效）

Note: The motor is adopted IEC EN IE2 energy efficiency class, PTC thermistor. (Corresponding to China level two energy efficiency)

注意：其他电机功率、电压、频率等，请联系东正。

Note: Other motor power, voltage, frequency, etc., please contact with DONJOY.

各种进出口连接方式 Inlet and outlet connection



卡箍式
Clamped



螺母式
Nut

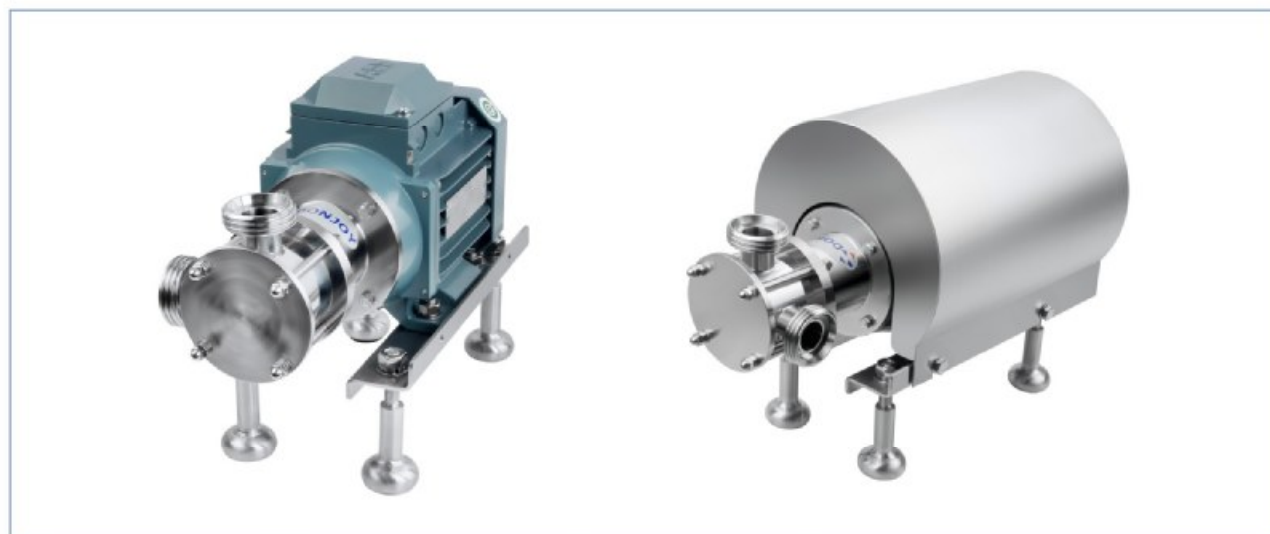
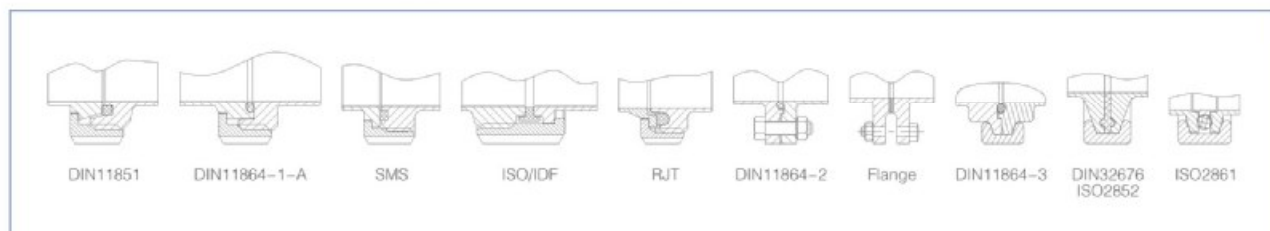


螺纹式
Threaded



法兰式接口
Flanged interface

泵进口/出口连接标准 Pump Inlet/outlet Connection Standard

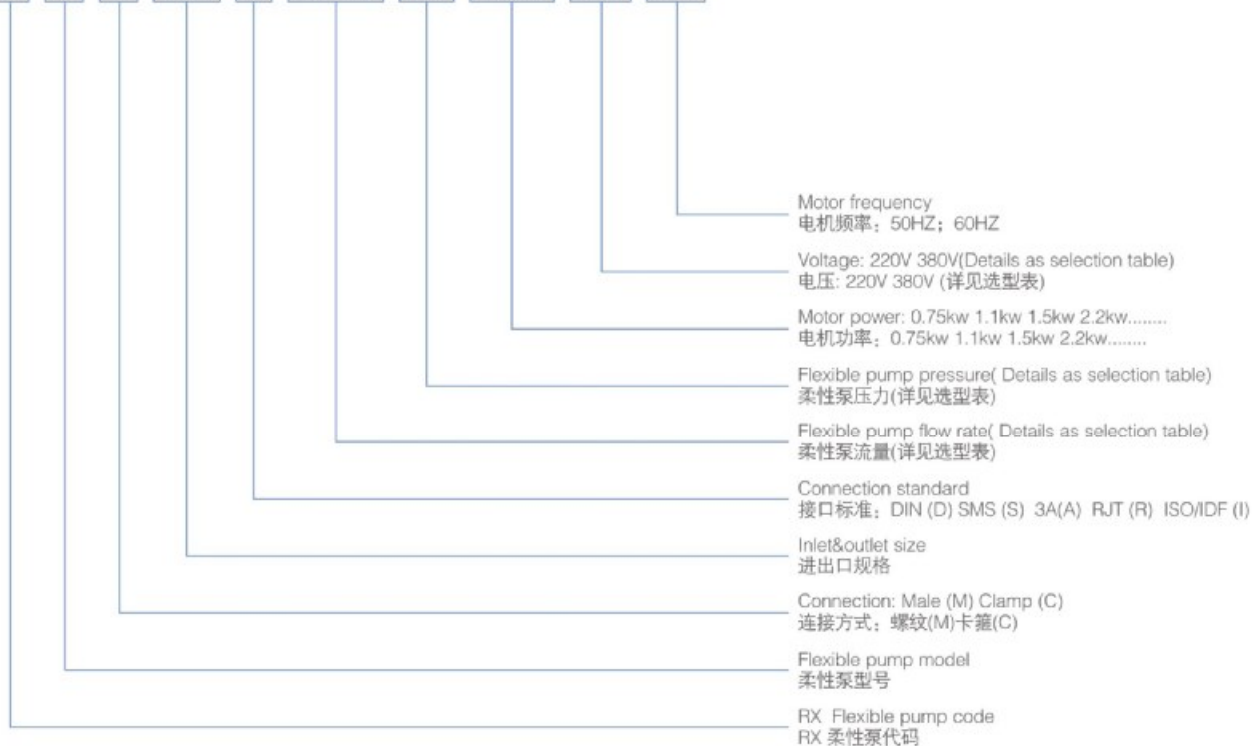


RX 柔性泵型号说明

RX Flexible impeller pump model instruction



RX 04 M DN25 D 0.5-1.5T 3bar 0.75KW 380V 50HZ



For example:

举例: RX04-M-DN25-D/0.5-1.5T-3bar/0.75kw-380v-50Hz

表示RX04柔性泵-进出口螺纹连接DN25-DIN标准/流量0.5-1.5T-压力3bar/电机功率0.75kw-380v-50hz

RX04 flexible pump-DN25 threaded inlet/outlet-DIN standard/flow 0.5-1.5T/pressure 3bar/motor power 0.75kw-380V-50Hz

RX 柔性叶轮泵选型表

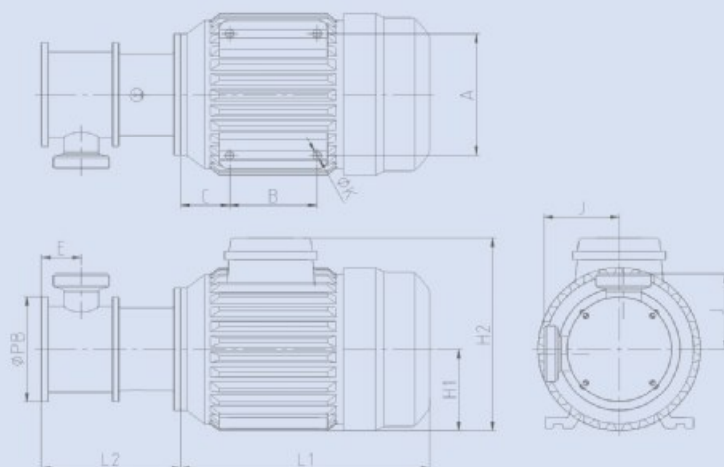
RX Flexible impeller pump selection table

型号 Model	电机功率(KW) Motor power	转速 Speed	每转排量(L/R) Flow per rotation	流量(m ³ /h) Flow	压力(bar) Pressure	进口/出口 Inlet/Outlet	最大吸程(M) Max suction	重量(KG) weight	
DJ-RX-04	1.5	2900 (2P)	0.060	8.0	1.0	1"/DN25	6	24	
				7.5	2.0				
				5.5	3.0				
				2.5	4.0				
	0.75	1450 (4P)	0.060	5.2	0.5	1"/DN25	6	21	
				4.0	1.0				
				3.3	2.0				
				1.5	3.0				
	0.55	950 (6P)	0.060	1.0	4.0	1"/DN25	6	18	
				3.4	0.5				
				2.2	1.0				
				1.8	2.0				
DJ-RX-10	3.0	2900 (2P)	0.103	18.0	1.0	1.5"/DN40	6	40	
				15.0	2.0				
				11.0	3.0				
				7.0	4.0				
	1.5	1450 (4P)	0.103	8.9	0.5	1.5"/DN40	6	31	
				8.0	1.0				
				6.8	2.0				
				5.0	3.0				
	1.5	950 (6P)	0.103	4.0	4.0	1.5"/DN40	6	39	
				5.8	0.5				
				5.2	1.0				
				4.5	2.0				
DJ-RX-20	5.5	1450 (4P)	0.214	18.6	0.5	2"/DN50	6	71	
				17.0	1.0				
				15.0	2.0				
				12.0	3.0				
	4.0	950 (6P)	0.214	9.0	4.0	2"/DN50	6	77	
				12.2	0.5				
				11.0	1.0				
				10.0	2.0				
					8.5	3.0			
					7.0	4.0			



RX 系列柔性叶轮泵数据图

RX Series flexible impeller pump-data chart



型号 Model	泵头规格 Pump head dimension			外形安装尺寸 Assembly dimension									
	2P电机功率 2P Motor power	进口/出口 Inlet/Outlet	转速 R.P.M	ΦPB	B	C	E	H1	H2	K	L1	L2	A
DJ-RX-04	1.5KW	1"/DN25	2900	100	100	56	31	90	217	10	275	142	140
DJ-RX-10	3.0KW	1.5"/DN40		138	140	63	42	100	240	10	305	190	160

型号 Model	泵头规格 Pump head dimension			外形安装尺寸 Assembly dimension									
	4P电机功率 4P Motor power	进口/出口 Inlet/Outlet	转速 R.P.M	ΦPB	B	C	E	H1	H2	K	L1	L2	A
DJ-RX-04	0.75KW	1"/DN25	1450	100	100	50	31	80	192	10	269	142	125
DJ-RX-10	1.5KW	1.5"/DN40		138	100	56	42	90	217	10	285	178.5	140
DJ-RX-20	5.5KW	2"/DN50		180	140	89	50	132	301	12	399	228.5	216

型号 Model	泵头规格 Pump head dimension			外形安装尺寸 Assembly dimension									
	6P电机功率 6P Motor power	进口/出口 Inlet/Outlet	转速 R.P.M	ΦPB	B	C	E	H1	H2	K	L1	L2	A
DJ-RX-04	0.55KW	1"/DN25	950	100	90	45	31	71	175	7	227	142	112
DJ-RX-10	1.5KW	1.5"/DN40		138	100	56	42	90	217	10	285	190	140
DJ-RX-20	4KW	2"/DN50		180	140	70	50	112	252	12	351	228.5	190

型号 Model	进/出口连接方式 Inlet / outlet connection			
	SMS螺纹连接 Thread	INCH卡箍连接 Clamp	DIN螺纹连接 Thread	DIN卡箍连接 DIN clamp
	J	J	J	J
DJ-RX-04	71	64.2	72	73
DJ-RX-10	101	94	101	102
DJ-RX-20	127	120	128	128.0

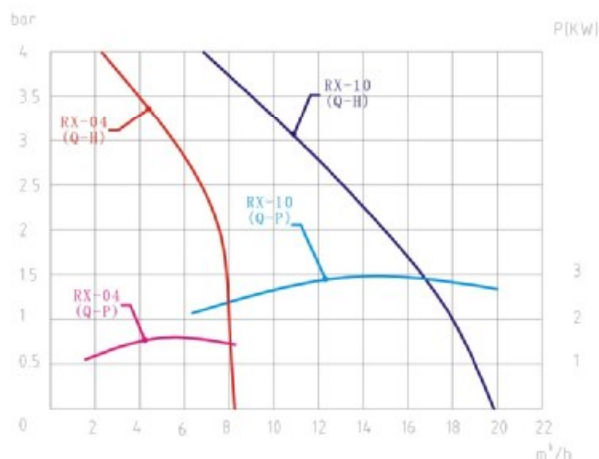
注意：以上数据图相关尺寸不作为实物最终依据，东正保留对于数据更新权限不再另行通知。
 Note: The relevant dimensions of the above data diagrams are not regarded as the final basis of actual object. DONJOY reserves the right to update the data without further notice.

RX 柔性泵综合曲线图

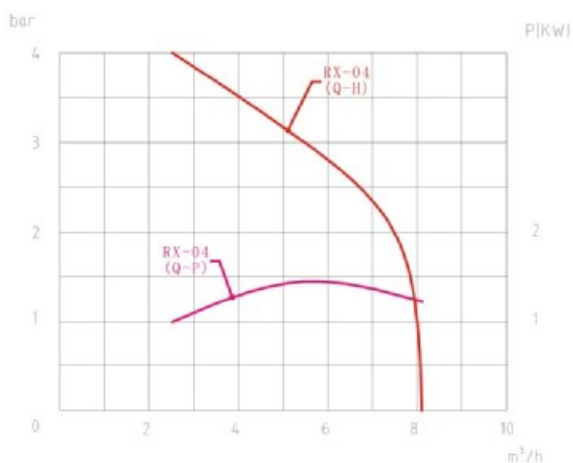
RX flexible pump comprehensive graph



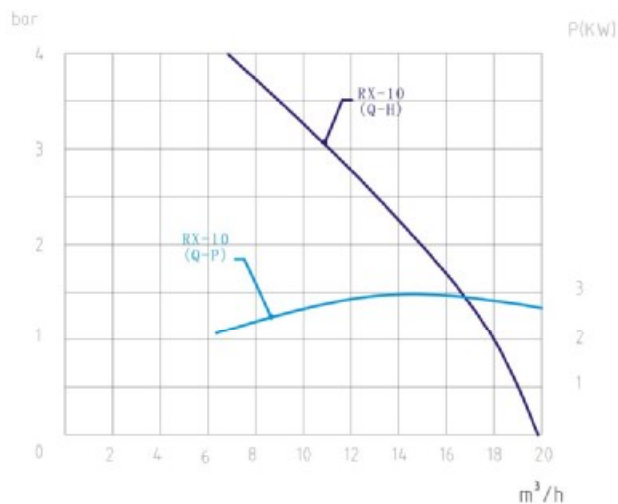
RX 柔性泵(带2P电机性能曲线图/Graph)
RX Flexible impeller pump
(graph for 2P motor performance)



RX-04(带2P电机性能曲线图/Graph)
RX-04 Flexible impeller pump
(graph for 2P motor performance)



RX-10(带2P电机性能曲线图/Graph)
RX-10 Flexible impeller pump
(graph for 2P motor performance)



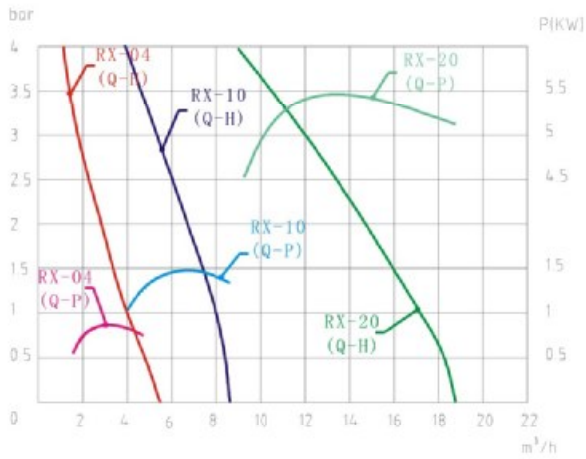
测试条件: 介质清水, 温度20°C, 叶轮转速950 R.P.M, Q-流量(m³/h), H-扬程(M), P-功率(KW)。

Testing condition: medium water, temperature 20 °C, impeller speed 950 RPM, Q-Flow rate (m³/h), H-head (meter), P-power (KW).

RX 柔性泵综合曲线图

RX flexible pump comprehensive graph

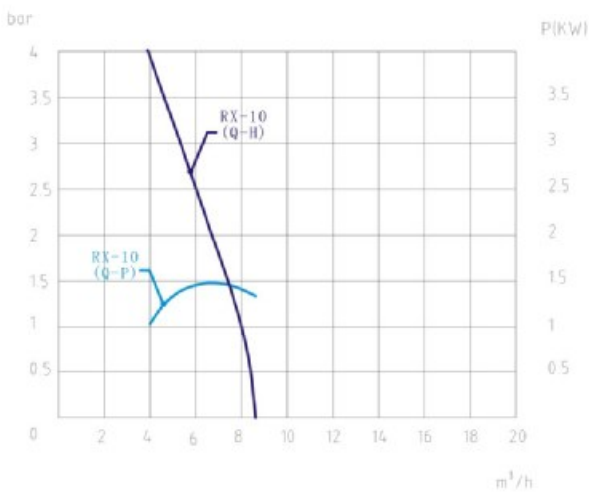
RX 柔性泵(带4P电机性能曲线图/Graph)
RX Flexible impeller pump
(graph for 4P motor performance)



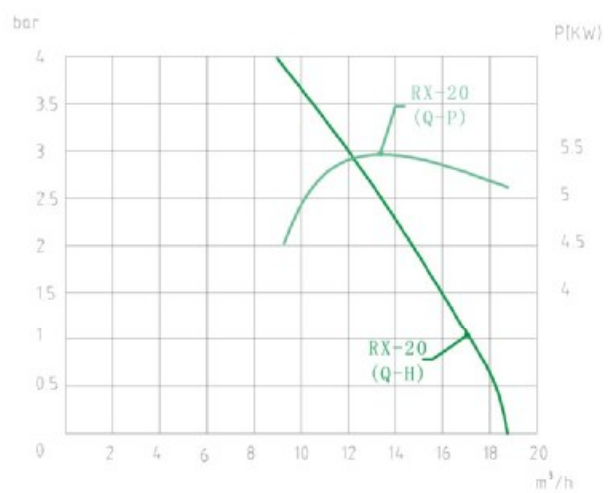
RX-04(带4P电机性能曲线图/Graph)
RX-04 Flexible impeller pump
(graph for 4P motor performance)



RX-10(带4P电机性能曲线图/Graph)
RX-10 Flexible impeller pump
(graph for 4P motor performance)



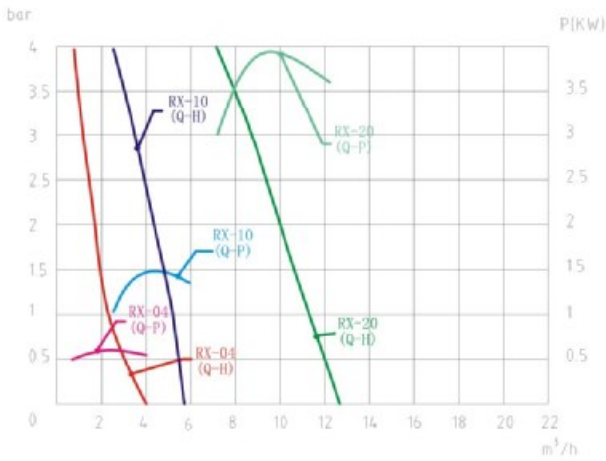
RX-20(带4P电机性能曲线图/Graph)
RX-20 Flexible impeller pump
(graph for 4P motor performance)



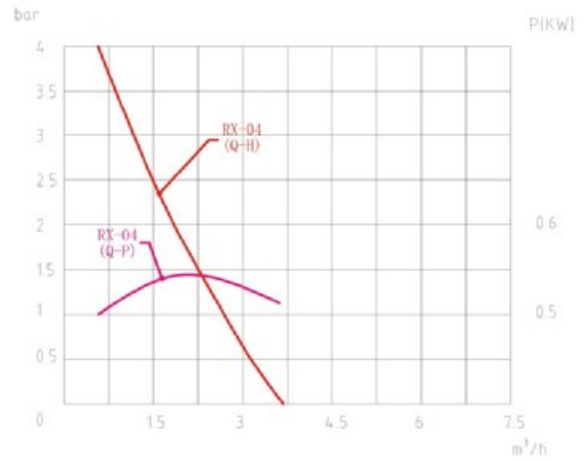
测试条件：介质清水，温度20℃，叶轮转速950 R.P.M，Q-流量(m³/H)，H-扬程(M)，P-功率(KW)。

Testing condition: medium water, temperature 20 °C, impeller speed 950 RPM, Q-Flow rate (m³/H), H-head (meter), P-power (KW).

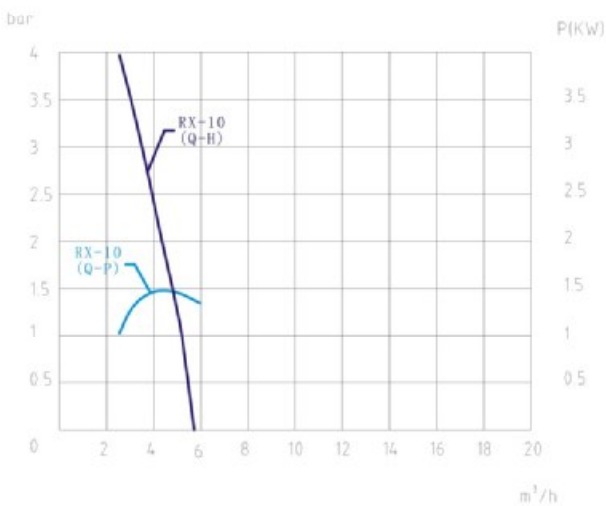
RX 柔性泵(带6P电机性能曲线图/Graph)
RX Flexible impeller pump
(graph for 6P motor performance)



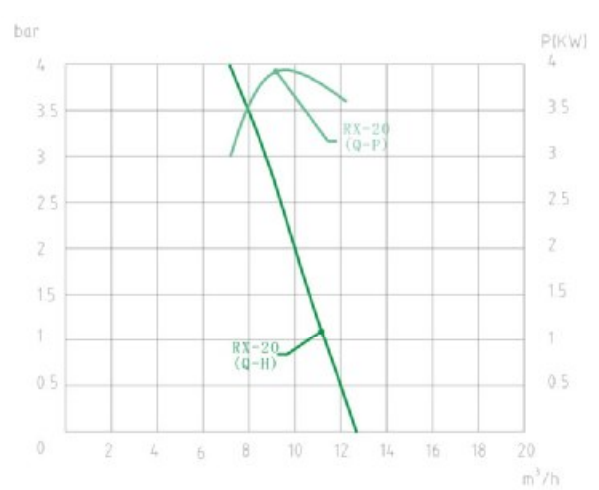
RX-04(带6P电机性能曲线图/Graph)
RX-04 Flexible impeller pump
(graph for 6P motor performance)



RX-10(带6P电机性能曲线图/Graph)
RX-10 Flexible impeller pump
(graph for 6P motor performance)



RX-20(带6P电机性能曲线图/Graph)
RX-20 Flexible impeller pump
(graph for 6P motor performance)



测试条件: 介质清水, 温度20°C, 叶轮转速950 R.P.M, Q-流量(m³/H), H-扬程(M), P-功率(KW)。

Testing condition: medium water, temperature 20 °C, impeller speed 950 RPM, Q-Flow rate (m³/H), H-head (meter), P-power (KW).



DONJOY looking forward to your visit! Your telecommunications!



东正科技有限公司 DONJOY TECHNOLOGY CO., LTD

地址: 温州空港新区港富路25号
总机: 0577 8699 0888
传真: 0577 8699 8000

ADD: No.25 Gangfu Road, Konggang
New District, Longwan, Wenzhou, China
TEL: +86 577 8699 0888
FAX: +86 577 8699 8000
E-mail: donjoy@cndonjoy.com

www.cndonjoy.com

法律声明:

目录样册版权归东正所有, 如有抄袭, 必将追究其法律责任和经济赔偿。
东正已获得国家版权局书刊号。东正诸多产品技术, 都具有专利保护, 如有抄袭, 必将追究法律责任和经济赔偿。

Legal statement:

Copyright of the catalogue belongs to Donjoy. If there is plagiarism, it will be investigated for legal responsibility and economic compensation. Donjoy has been granted publications number by Chinese National Copyright. Donjoy products and technology are with patent protection. If there is plagiarism, it will be investigated for legal responsibility and economic compensation.