

自控调节阀+控制器

Automatic control regulating valve+Control head



国家高新技术企业 浙江省著名商标
www.cndonjoy.com



东正一直致力于重大技术进步，是您值得信赖的事业伙伴！
Donjoy committing to major technological advances, is your reliable business partner!

0.1	自控调节阀+控制器 Automatic control regulating valve +Control head
0.2	生物制药隔膜阀 Biopharmaceutical diaphragm valve
0.3	高洁净泵 High purity pumps
0.4	防混蝶阀+蝶阀 Mixing proof butterfly valve +Butterfly valve
0.5	球阀 Ball valve
0.6	截止换向阀+防混阀+罐底阀 Divert seat valve+Mixing proof valve +Tank bottom valve
0.7	角座阀+截止阀 Angle seat valve+Globe valve
0.8	止回阀+恒压阀+安全阀+减压阀 Check valve+constant pressure valve+safety valve +air release valve
0.9	清洁技术+取样阀+视镜+照明技术 Clean technology+sample valve+sight glass +lighting technology
0.10	过滤器+人孔 Filter+man hole cover(manway)
0.11	卫生管件 Sanitary fittings ASME BPE DIN11852 B94825 SMS ISO IDF 3A



注意：
目录技术资料仅供设计参考，
设计更新和技术升级恕不另行通知！

不断革新的技术、日新月异的市场发展和客户需求是当今我们面临的巨大挑战。面对这些挑战我们信心十足，因为东正高度专业化的产品和技术创新，是我们未来将以更高、更优的产品来满足不断增长的市场需求。

Technological innovation, rapid development of the market and customer needs are the greatest challenges facing us today. Facing with these challenges we are confident, because of highly professional products and technological innovation, we will meet the growing demand of market and customer with our better and better products.

法律声明：
目录样册版本属东正所有，如有抄袭东正将追究其法律责任和经济赔偿。
东正众多技术设计，都具有专利保护，如有抄袭，东正必将追究法律责任和经济赔偿。

领先源于创新 创新源于专业

东正的专业与品质的邂逅源于创新的精神



现代化工厂已经投产，期待您的光临！
温州空港经济园区生产基地
Wenzhou airport economic zone production base

占地面积29000m²，总投资1.2亿元，新引进工业机器人、5轴加工中心、机器人抛光设备。

Covering an area of 29000 m², with total investment after construction is expected to 120 million yuan, introduces new industrial robot, five axis machining center, machine Polishing equipment.

东正创立于1993年，注册资金5508万，是一家专注于研发高品质PID过程控制器、阀门定位器、流量控制器，阀门控制单元，高洁净过程控制阀、智能自控阀，高洁净泵、高洁净管材和管道配件。公司高度专业化的产品和技术专注于生物制药、食品饮料、酿酒、精细化工等工业领域。东正众多的创新解决方案，对满足全球，尤其是新兴市场不断增长生物制药和食品饮料行业的需求起到了积极作用。

东正制造的产品母材料、加工技术、焊接技术、表面处理等技术指标均已达到国内外先进水平。且符合ASME BPE、EHEDG、FDA、3A等一系列国际标准和规范要求，先后通过了由德国 TÜV机构实施的欧盟承压设备指令(PED-97/23/EC)和(MD-06/42/EC)认证、美国 3A机构实施的3-A卫生标准认证、中国安全阀特种制造设备(TS)许可证和中国质量认证中心CQC ISO9001:2008 质量管理体系认证等多项国际权威认证。

东正凭借先进的技术、优异的品质和完善的售后服务体系，先后被评定为国家高新技术企业，省著名商标、省科技型企业、创新型企业、专利示范企业、研发中心企业，守合同重信用AAA企业等众多荣誉。

关于东正 About DONJOY

Donjoy was built up in 1993, with registered capital RMB 55.08 millions. We focus on developing high quality PID process controller, the valve positioner, the flow controller, the valve control unit, high purity process control valve, intelligent self-control valve, high purity pump, high purity tubing fitting and pipeline accessories. Donjoy's products and technologies are widely used in biopharmaceutical, food, drink, wine fine chemicals and other industrial fields. Donjoy's innovation solutions meet the growing demand of the industry of biopharmaceutical, food and beverage from the whole world, especially the emerging market.

Raw material, processing technology, welding technology, surface treatment from Donjoy have achieved advanced levels of domestic and foreign market. Donjoy productions according to ASME BPE, EHEDG, FDA and 3A standard, get certificate of PED-97/23/EC and MD-06/42/EC issued by TUV, 3A issued by 3A organization, TS licence and ISO9001:2008.

Donjoy with advanced technology, excellent quality and perfect after-sales service system, has been assessed as the national high-tech enterprises, the Provincial Famous Trademark, the Provincial Science and Technology Enterprises, Innovative Enterprises, Patent Model Enterprises, R & D Center, AAA Credit Enterprises.



创立于2005年现代化工厂
温州滨海经济开发区生产基地
Wenzhou binhai economic development zone production base

DONJOY high-purity valve, pump, control system, pipe and accessories, provide the most excellent solution for various business scopes.



Biopharmaceutical



Dairy



Food



Beverage



Water Processing



Brewing



Fine Chemical

制造与检验 Manufacturing and testing



机器人生产线 Robot production line

全自动弯管设备 Automatic pipe bending equipment

DONJOY以科学技术是第一生产力，也是企业核心竞争力，只有不断投入核心技术研发和创新，不断追求卓越，精益求精、以先进生产设备，严格的质量管理体系，精密的生产检测流程，保证每一款产品优良的性能。

Science and technology constitute a primary productive force, also the core competitive strength of the enterprise. Continuously intensifying the research, development and innovation of core technology, pursuing prominence and keeping improving, ensuring the excellent quality and performance of every single product by advanced production equipment, strict quality control and precise production and inspection procedures.

荣誉与资质

Honor and qualification

	<p>3A</p> <p>东正是美国3A认证组织的金牌赞助商，3A是一个自愿组织，致力于维护公共卫生和奶制品产品质量通过独特的行业监管程序的设备，用于处理乳制品的卫生标准3A认证。 东正通过认证产品，阀门系列55-02-1783、64-00-1784、84-02-1786、85-03-1787、53-06-1782、54-02-1580、68-00-1785，管件(63-03)证书号(1581)等多种规格型号。</p>
	<p>PED/97/23/EC & MD/06/42EC</p> <p>东正通过了TUV 欧共体压力设备97/23/EC质量保证模式H&材料(管件)制造认证。 阀门证书 NO.CE 0036 泵类证书 NO.705201402401-00</p>
	<p>FDA177.2600</p> <p>东正生产的阀门和泵以及流体设备等，与物料接触密封圈全部通过或符合美国食品和药品管理局和联邦法规第21条即，CRF 21 FDA177.2600和FDA177.1550认证，其涵盖： EPDM VITON(FPM) SILICON HNBPTFE橡胶塑料材料等。</p>
	<p>ISO9001/2008</p> <p>东正通过中国质量认证中心CQC，ISO9001-2008/GB/T19001-2008企业质量管理体系认证。其证书编号: 00108Q24215R1M/3302</p>
	<p>卫生许可证</p> <p>东正通过了省卫生厅卫生阀门、卫生管件等检验，且获得了其颁发的证书，其编号: So083。 其许可证为国家出台的生活饮用水卫生监督管理方法证书。</p>
	<p>高新技术企业</p> <p>东正通过多年发展和技术创新已获得了多项国家发明专利，100多项实用新型专利，现已成为国家高新技术企业。</p>
	<p>浙江省著名商标</p> <p>东正09年获得了温州市著名商标，2012年获得了浙江省著名商标。</p>

DONJOY不但拥有以上认证和荣誉，且被评定为省科技型、创新型、专利示范、研发中心、守合同守信用企业等众多的荣誉证书。

DONJOY创新设计
 发明专利 实用新型专利 外观专利
 DONJOY innovative design
 Invention patent, Utility model patent,
 Design patent



阀门定位器 IL-TOP-1431

- ◆极快响应速度和阀位定位
- ◆电源:DC.24V \pm 10%
- ◆输入:0/4...20mA & 0...5/10V (标准)
- ◆输出:0/4...20mA & 0...5/10V (选项)
- ◆总线通讯:Mode Bus RS485 (选项)
- ◆精度:死区 \leq 0.2%; 重复性误差 $<$ 0.5%
- ◆显示屏:OLED
- ◆显示菜单界面: 中文&英文
- ◆单键切换手动&自动操作
- ◆故障安全位置设定
- ◆执行机构:单作用&双作用 (选项)
- ◆气源压力:5.0-7.0 Bar
- ◆气接头:G1/8"
- ◆防护等级: IP 67

Valve Positioner IL-TOP-1431

- ◆Extremely fast response speed and valve position
- ◆Power: DC.24V \pm 10%
- ◆Input: 0/4...20mA & 0...5/10V (standard)
- ◆Output: 0/4...20mA & 0...5/10V (Option)
- ◆Bus communication: Mode Bus RS485 (option)
- ◆Accuracy: dead zone \leq 0.2%; repeatability error $<$ 0.5%
- ◆Display: OLED
- ◆Display menu interface: Chinese & English
- ◆One-touch switching manual & automatic operation
- ◆Failsafe location setting
- ◆Actuator: Single-acting & Double-acting (Option)
- ◆Air pressure: 5.0-7.0 Bar
- ◆Gas fittings: G1/8"
- ◆Protection level: IP 67



IL-TOP-1431(阀门定位器/过程控制器)

IL-TOP-1431 (valve positioner, process controller)



应用Applications

阀门定位器 (IL-TOP-1431)主要应用在各种流体过程控制和流量控制系统上。IL-TOP-1431 可以安装到各种直行程的执行器，如：气动角座阀、气动隔膜阀、气动蝶阀、气动截止阀、气动球阀等各种适用作为流量调节的阀门上，IL - TOP与执行器装配特别简单，特别适用于对洁净要求较高的工况上。

This controller (IL - TOP) is mainly used in all kinds of fluid process control and flow control system. IL - TOP can be installed to all kinds of Linear actuators, such as pneumatic angle seat valve, pneumatic diaphragm valve, pneumatic butterfly valve, pneumatic Divert Seat valve, pneumatic ball valve and other applicable as traffic Section of the valve. IL - TOP with actuator assembly is particularly simple, particularly suitable for clean on the condition of high demand.



技术特点：

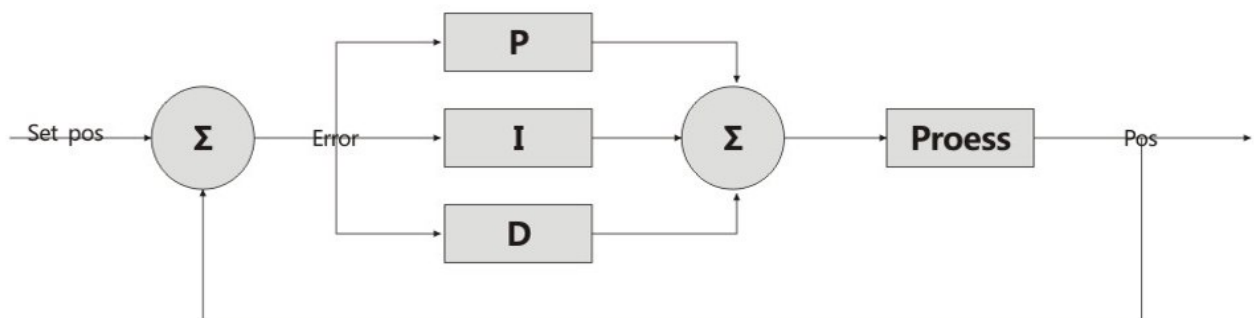
- ◆极快响应速度和阀位定位
- ◆电源:DC.24V ±10%
- ◆输入:0/4...20mA &0...5/10V (标准)
- ◆输出:0/4...20mA &0...5/10V (选项)
- ◆总线通讯:Mode Bus RS485 (选项)
- ◆精度:死区≤0.2% ; 重复性误差 < 0.5%
- ◆显示屏:OLED
- ◆显示菜单界面：中文&英文
- ◆单键切换手动&自动操作
- ◆故障安全位置设定
- ◆执行机构:单作用&双作用 (选项)
- ◆气源压力:5.0-7.0 Bar
- ◆气接头:G1/8"
- ◆防护等级: IP 67

Technical Specifications

- ◆Extremely fast response speed and valve position
- ◆ Power: DC.24V ± 10%
- ◆Input: 0/4...20mA &0...5/10V (standard)
- ◆Output: 0/4...20mA &0...5/10V (Option)
- ◆Bus communication: Mode Bus RS485 (option)
- ◆ Accuracy: dead zone ≤ 0.2%; repeatability error <0.5%
- ◆Display: OLED
- ◆ Display menu interface: Chinese & English
- ◆ One-touch switching manual & automatic operation
- ◆ Failsafe location setting
- ◆ Actuator: Single-acting & Double-acting (Option)
- ◆ Air pressure: 5.0-7.0 Bar
- ◆ Gas fittings: G1/8"
- ◆Protection level: IP 67

定位器控制原理图

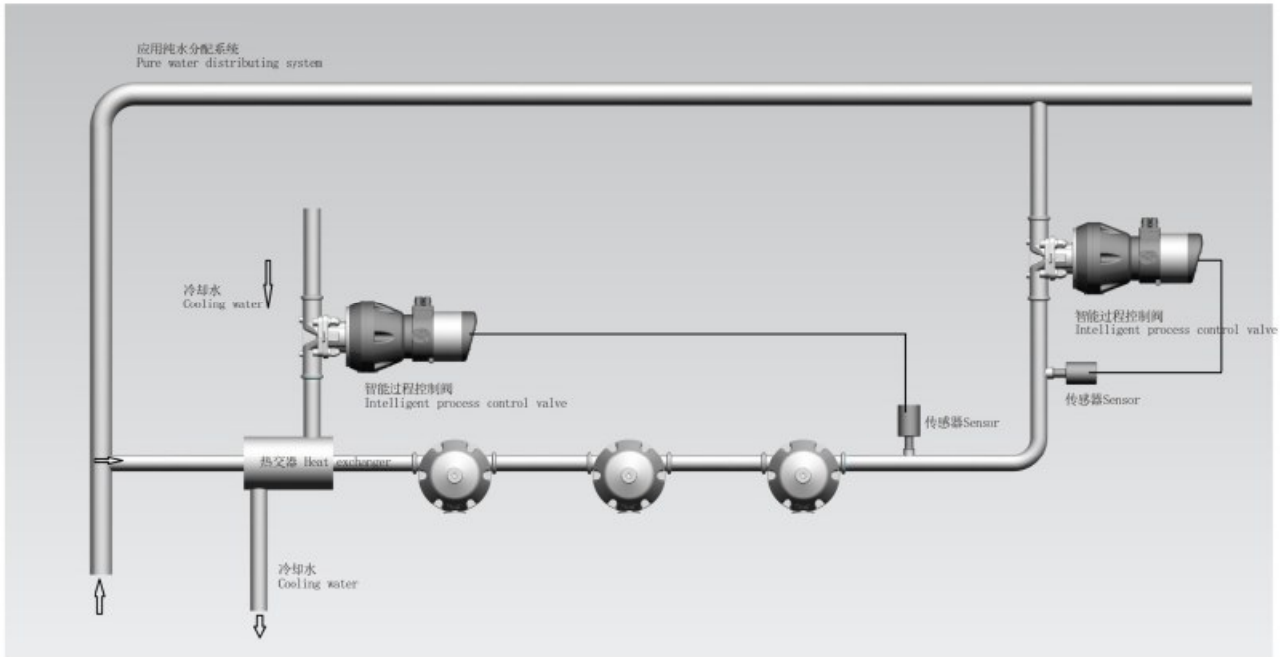
Positioner control schematics



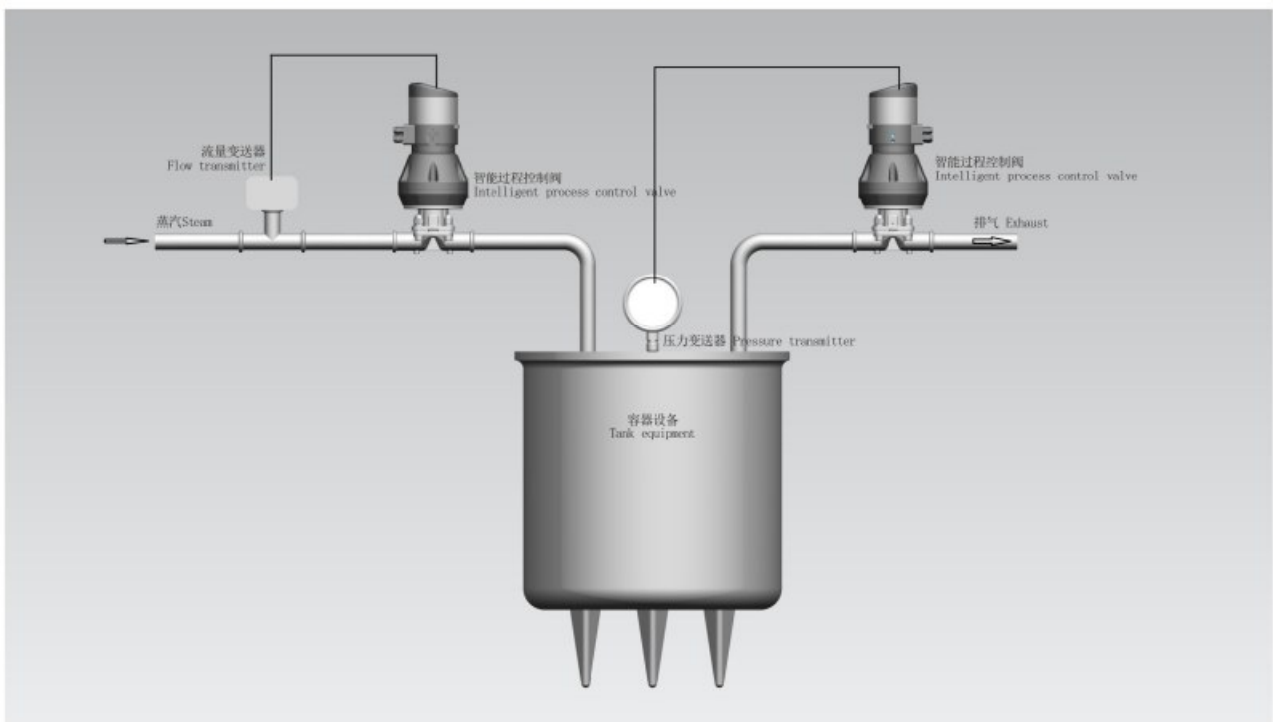
setpos	Set the displacement value, by the InP terminal or bus input
Actual	position value, by displacement sensor
error	Difference setpos and POS
p	Proportion of PID controller
i	Integral PID controller
d	Differential PID controller
proess	According to the PID results of operation adjustment valve lift

过程控制阀 Process controller Valve

过程控制阀 (医药用水系统分配应用举例)
Process control valve (Medicine water system distribution application)

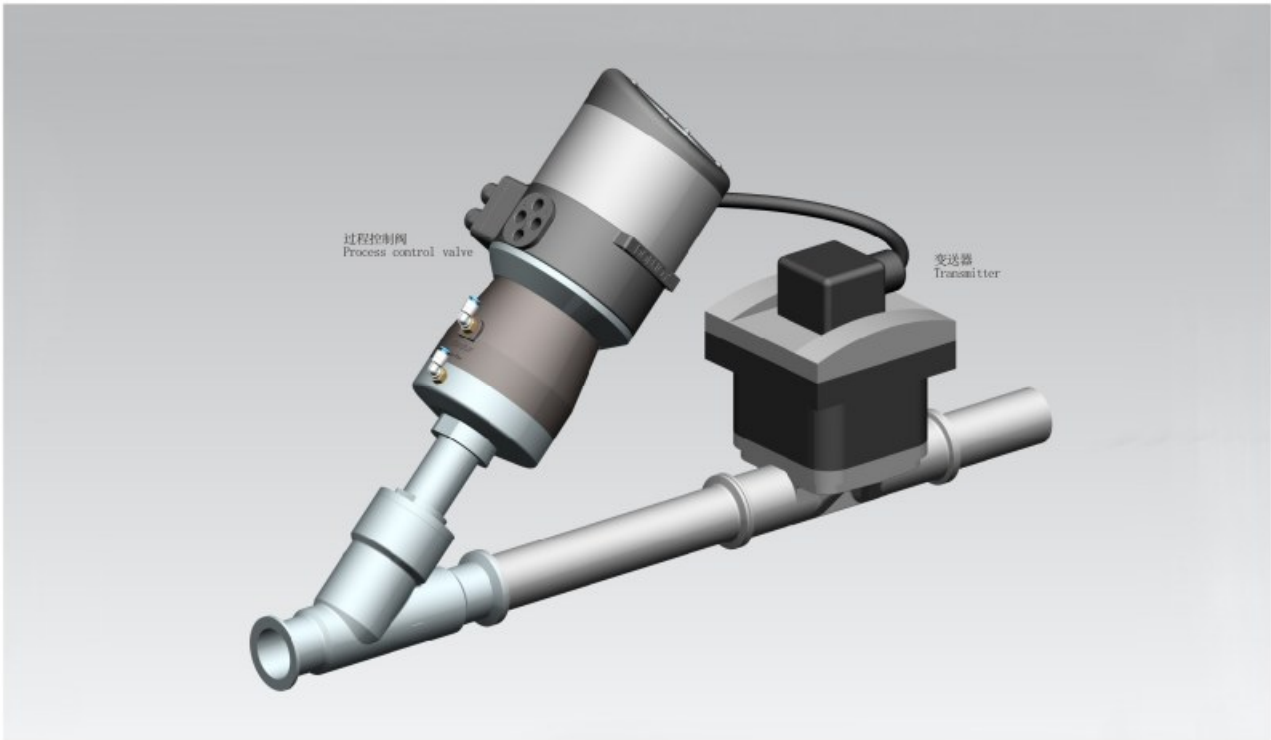


过程控制阀器反应罐应用举例
Process control valve (Reaction tank application example)

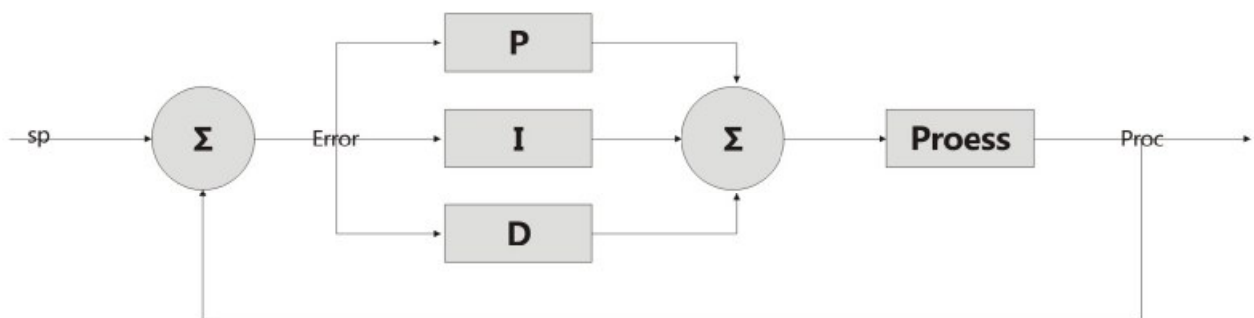


过程控制阀

Process control valve



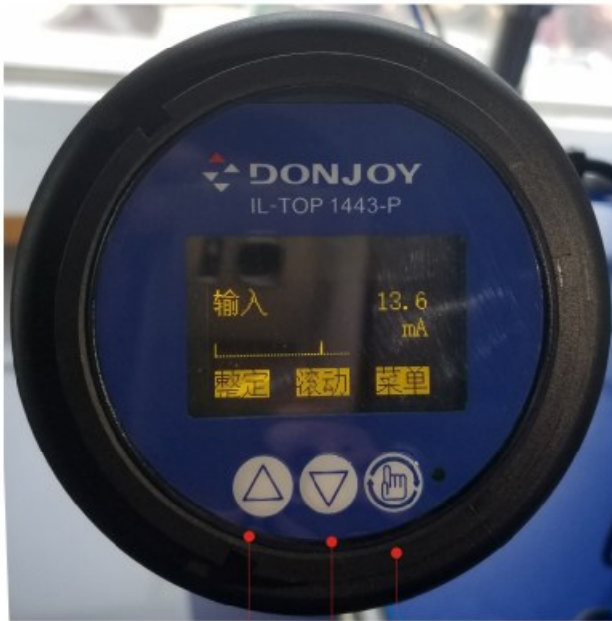
过程控制示意图
Process control schematics



sp	Process of setting value, by the Inp terminal or bus input
proc	Actual process of value, the transmitter acquisition
error	Difference SP and proc
p	Proportional of PID controller
i	Integral PID controller
d	Differential PID controller
proess	According to the PID results of operation adjustment valve lift

阀门定位器-IL-TOP-1431

Valve Positioner-IL-TOP-1431



上移键Up key
确定键Confirm key
下移键Down key



基本功能 = 5芯 Basic Function=5 Core
反馈功能 = 8芯 Feedback Function=8 Core

操作菜单

快速入门/初始使用:

- 1) 通电,检查电源 DC24V±10%
- 2) 检查气源压力,确保压力 5-7bar
- 3) 检查接线是否正确:
 - A) 基本功能版本阀门定位器: 电源 DC 24V+ DC24V-,输入信号线 AIN+ AIN-
 - B) 反馈功能版本阀门定位器: 电源 DC 24V+ DC24V-,输入信号线 AIN+ AIN-,输出0/4-20mA信号线 I+ I-,输出0-5V/10V信号线 V+ V-
 - C) MODE BUS RS485总线版本: 电源 DC24V+ DC24V-,总线通讯 485A 485B
- 4) 检查气路连接, P=总供气; A) 单作用: 1#=工作口和执行器连接; B) 双作用: 2#=工作口和执行器连接;
- 5) 准备工作完成后,单键启动自整定功能,整定过程一共有6个步骤,第一步.....第六步,完成后自动返回至主界面。整定过程出现“错误一...三”检查气源连接和压力是否正确。
- 6) 手动和自动切换: 默认状态为自动,点动“确定键”转换手动操作
 - A) 自动操作: 完全受控于外部上位机设备如PLC、变送器。定位器将采集到信号通过PID运算比对照将阀位移动所需到达目标位置
 - B) 手动操作: 点动“上移动键”阀位向上微移动,长按“上移动键”阀位连续向上移动; 点动“下移动键”阀位向下微移动,长按“下移动键”阀位连续向上移动;

Operation menu

Quick Start/Initial Use:

- 1) Power on, check power supply DC24V±10%
- 2) Check the air supply pressure to ensure pressure 5-7bar
- 3) Check the wiring is correct:
 - A) Basic Function Version Valve Positioner: Power Supply DC 24V+ DC24V-, Input Signal Line AIN+ AIN-
 - B) feedback function version of the valve positioner: power supply DC 24V + DC24V-, input signal line AIN + AIN-,Output 0/4-20mA signal line I+ I-, Output 0-5V/10V signal line V+ V-
 - C) MODE BUS RS485 bus version: Power DC24V + DC24V-, communication bus 485A 485B
- 4) Check the gas connections, P = total supply;
 - A) single-acting: # 1 = work port and actuators;
 - B) Double acting: # 2 = work port and actuators;
- 5) After the preparation is completed, a single button starts the self-tuning function. There are six steps in the tuning process. TUNE 1... TUNE 6 Automatically return to the main screen after completion. The setting process appears "error one...three Check the air connection and The pressure is correct.
- 6) Manual and automatic switching: The default state is automatic, jog "Confirm key" to convert manual operation
 - A) automatic operation: completely controlled by external host equipment such as PLC, transmitter and so on. The positioner will compare the acquired signal to the target position after moving through the PID operation.
 - B) manual operation: jog the "Up key" valve position slightly upward movement, long press "Up key" position moves continuously upward; Move the "Down key" position slightly downwards, long press the "Down key" position moves continuously upwards;

多针孔插头连接器

Multi pinholes Plug Connector

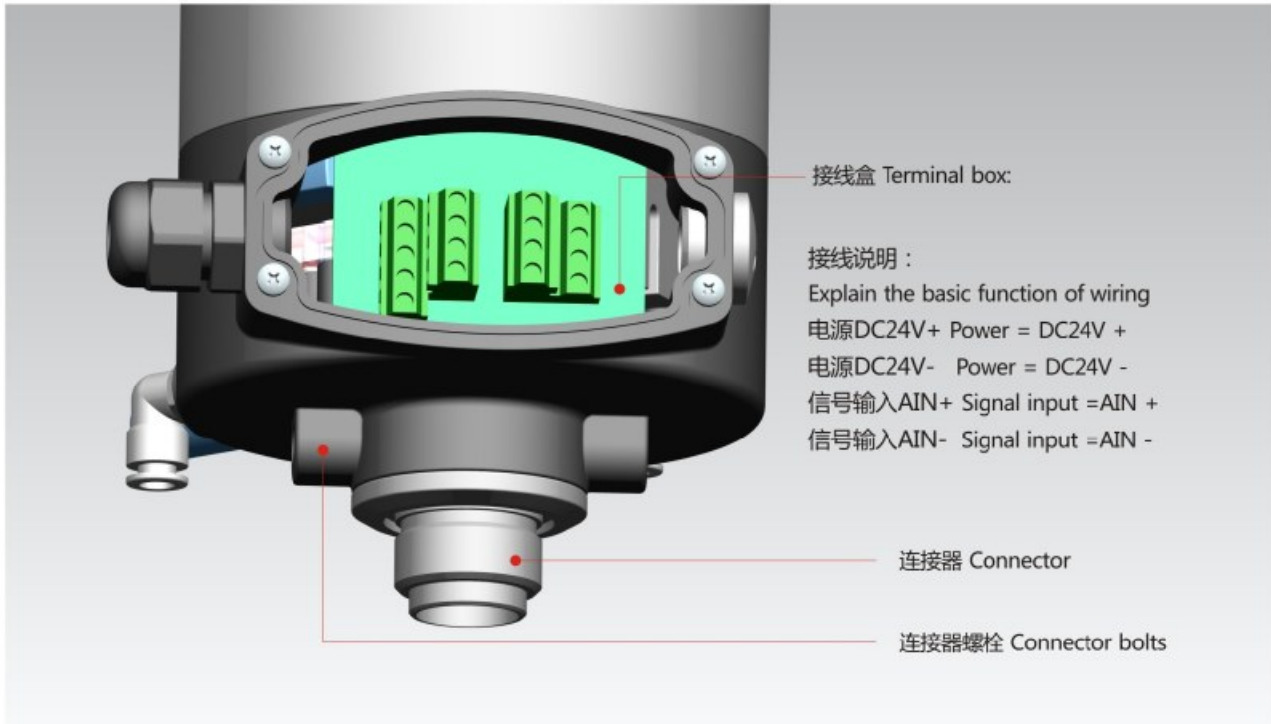


弯头式插头 Elbow Plug



直通式插头 Straight Plug



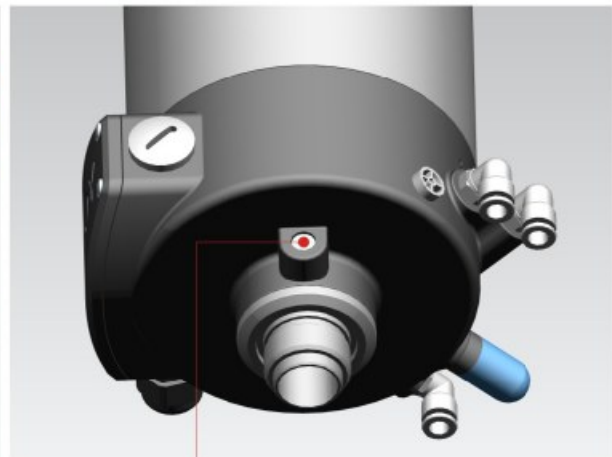


LCD方向显示可旋转
 LCD display can be rotated direction

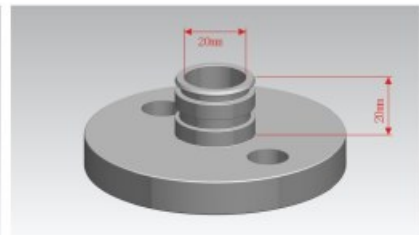
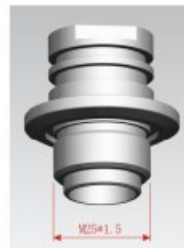


注意：
 LCD显示方向调整时，先松开连接器的螺栓后，才能进行调整，禁止未松开螺栓进行调整，反之有可能会损坏控制器部件。

Notes:
 When adjustment of the LCD display orientation, first loosen the bolt connector can be adjusted, forbidden to adjust without loosen the bolt otherwise the control unit will be damaged.



松开2颗螺栓，LCD显示方向调整
 Loosen 2 of Bolts, LCD display adjust the direction



执行器与定位器连接支架
 Connection Brackets of Actuator and Positioner

阀门定位器-IL-TOP-1431

Valve Positioner-IL-TOP-1431

IL-TOP安装尺寸图Installation dimensions

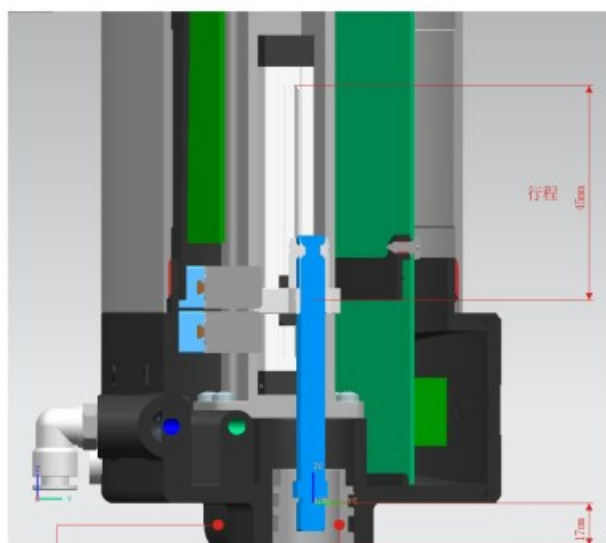


装配

该控制器与气动执行器安装非常的简单，LCD显示方向也是可调整。逆时针取下透明盖子 (1)，操作键盘，用M5 扳手松开底座 2颗螺栓 (4) 用手轻易的转动此时可以调整至您需要的显示方向，用扳手重新拧紧2颗螺钉。松开接线盒 (3) 4 颗螺钉并取下打开盒子，根据接线图进行 (禁止非专业人员操作)。执行机构和控制器连接，需要连接器把控制器和执行机构连接在一起。

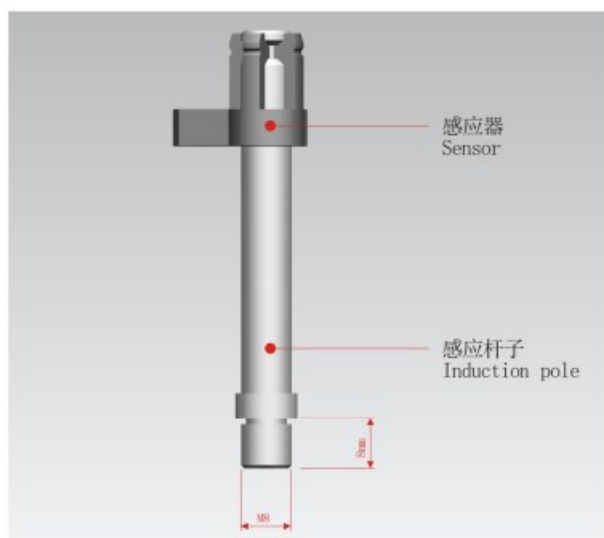
Assembly

IL-TOP with actuator assembly is very simple. LCD display direction also can be adjust. Counterclockwise to remove the transparent cover (1), keyboard, M5 wrench to loosen the base with two screws (4) by hand turning point can be adjusted easily to display the direction you need to use a wrench to re-tighten the two screws. Loosen the terminal box (3) four screws and remove the open box, performed (prohibiting non-professional operation) according to wiring diagram. Actuators and controllers are connected, you need to put together the connector controller and actuator.



起始位置Start position

⑤ 安装注意Installation Note:
极限行程limit Route:45mm



感应器
Sensor

感应杆子
Induction pole

气源连接和功能设置

Air connection and function setting

执行机构类型 Actuator type	名称 name	阀位
	单作用 Single-acting	上 up 常闭 N.C
	单作用 Single-acting	下 down 常开 N.O
	双作用 Double-acting	取决于气源 连接和菜单设置 Depending on Air Supply Connection and Menu Setting



简单清晰的气路连接 Simple air connection:
 1 = 工作口 1=Working Port (Single-acting)
 2 = 工作口 2=Working Port (Double-acting)
 R = 消声器 R=Mufflers
 P = 气源供给 P=Air source supply
 单作用 = 1工作口
 双作用 = 1和2工作口
 (根据常闭和常开选择)

阀门定位器-IL-TOP-1731 订购信息
 Valve Positioner-IL-TOP-1731 Ordering Information

货号/型号 Item/Model	功能介绍 Function introduction						
	总线通讯 Bus communication	信号输入 signal input	反馈输出 Feedback output	执行机构 Actuator	断气、断电故障 Air failure, power failure	执行机构 Actuator (mm)	适用行程 Applicable valve stroke
C173131-60	NO	0/4-20mA ; 0-5V/10V ;	0/4-20mA ; 0-5V/10V ;	单作用 Single action	自动复位 (推荐) Automatic reset (recommended)	Φ50/60/70 /80/90/114	60mm (推荐) (recommended)
C173132-60	NO	0/4-20mA ; 0-5V/10V ;	0/4-20mA ; 0-5V/10V ;	双作用 Double action			
C173131-P-60	NO	0/4-20mA	NO	单作用 Single action			
C173132-P-60	NO	0/4-20mA	NO	双作用 Double action			
C173131-RS485-60	MODE BUS RS485	0/4-20mA	NO	单作用 Single action			
C173132-RS485-60	MODE BUS RS485	0/4-20mA	NO	双作用 Double action			

注意：适用于缸径尺寸：Φ50/60/70/80/90/110，气缸容量：≥ 50ml & ≤ 220ml；

Note: Applicable to actuator bore size: Φ50/60/70/80/90/110, Cylinder capacity: ≥ 50ml & ≤ 220ml ;

货号/型号 Item/Model	功能介绍 Function introduction						
	总线通讯 Bus communication	信号输入 signal input	反馈输出 Feedback output	执行机构 Actuator	断气、断电故障 Air failure, power failure	执行机构 (mm) Actuator	适用行程 Applicable valve stroke
C173131-1-60	NO	0/4-20mA ; 0-5V/10V ;	0/4-20mA ; 0-5V/10V ;	单作用 Single action	阀位保持 Valve position holding	Φ50/60/70 /80/90/114	60mm (推荐) (recommended)
C173132-1-60	NO	0/4-20mA ; 0-5V/10V ;	0/4-20mA ; 0-5V/10V ;	双作用 Double action			
C173131-1-P-60	NO	0/4-20mA	NO	单作用 Single action			
C173132-1-P-60	NO	0/4-20mA	NO	双作用 Double action			
C173131-1-RS485-60	MODE BUS RS485	0/4-20mA	NO	单作用 Single action			
C173132-1-RS485-60	MODE BUS RS485	0/4-20mA	NO	双作用 Double action			

注意：适用于缸径尺寸：Φ50/60/70/80/90/110，气缸容量：≥ 50ml & ≤ 220ml；

Note: Applicable to actuator bore size: Φ50/60/70/80/90/110, Cylinder capacity: ≥ 50ml & ≤ 220ml ;

阀门定位器-IL-TOP-1431

Valve Positioner-IL-TOP-1431

阀门定位器-IL-TOP-1731 订购信息

Valve Positioner-IL-TOP-1731 Ordering Information

货号/型号 Item/Model	功能介绍 Function introduction						
	总线通讯 Bus communication	信号输入 signal input	反馈输出 Feedback output	执行机构 Actuator	断气、断电故障 Air failure, power failure	执行机构 (mm) Actuator	适用行程 Applicable valve stroke
C173131-60	NO	0/4-20mA ; 0-5V/10V ;	0/4-20mA ; 0-5V/10V ;	单作用 Single action	自动复位 (推荐) Automatic reset (recommended)	Φ114/120/130 /160/200/300	60mm (推荐) (recommended)
C173132-60	NO	0/4-20mA ; 0-5V/10V ;	0/4-20mA ; 0-5V/10V ;	双作用 Double action			
C173131-P-60	NO	0/4-20mA	NO	单作用 Single action			
C173132-P-60	NO	0/4-20mA	NO	双作用 Double action			
C173131-RS485-60	MODE BUS RS485	0/4-20mA	NO	单作用 Single action			
C173132-RS485-60	MODE BUS RS485	0/4-20mA	NO	双作用 Double action			
注意：适用于缸径尺寸：Φ110/120/130/160/200/300/400，气缸容量：≥ 220ml & ≤1000ml ; Note: Applicable to actuator bore size:Φ110/120/130/160/200/300/400, Cylinder capacity: ≥ 220ml & ≤1000ml;							
货号/型号 Item/Model	功能介绍 Function introduction						
	总线通讯 Bus communication	信号输入 signal input	反馈输出 Feedback output	执行机构 Actuator	断气、断电故障 Air failure, power failure	执行机构 (mm) Actuator	适用行程 Applicable valve stroke
C173131-1	NO	0/4-20mA ; 0-5V/10V ;	0/4-20mA ; 0-5V/10V ;	单作用 Single action	阀位保持 Valve position holding	Φ114/120/130 /160/200/300	60mm (推荐) (recommended)
C173132-1	NO	0/4-20mA ; 0-5V/10V ;	0/4-20mA ; 0-5V/10V ;	双作用 Double action			
C173131-1-P	NO	0/4-20mA	NO	单作用 Single action			
C173132-1-P	NO	0/4-20mA	NO	双作用 Double action			
C173131-1-RS485	MODE BUS RS485	0/4-20mA	NO	单作用 Single action			
C173132-1-RS485	MODE BUS RS485	0/4-20mA	NO	双作用 Double action			
注意：适用于缸径尺寸：Φ110/120/130/160/200/300/400，气缸容量：≥ 220ml & ≤1000ml ; Note: Applicable to actuator bore size:Φ110/120/130/160/200/300/400, Cylinder capacity: ≥ 220ml & ≤1000ml;							
货号/型号 Item/Model	功能介绍 Function introduction						
	总线通讯 Bus communication	信号输入 signal input	反馈输出 Feedback output	执行机构 Actuator	断气、断电故障 Air failure, power failure	执行机构 Actuator (mm)	适用行程 Applicable valve stroke
C173131-30	NO	0/4-20mA ; 0-5V/10V ;	0/4-20mA ; 0-5V/10V ;	单作用 Single action	自动复位 (推荐) Automatic reset (recommended)	Φ50/60/70 /80/90/114	30mm (推荐) (recommended)
C173132-30	NO	0/4-20mA ; 0-5V/10V ;	0/4-20mA ; 0-5V/10V ;	双作用 Double action			
C173131-P-30	NO	0/4-20mA	NO	单作用 Single action			
C173132-P-30	NO	0/4-20mA	NO	双作用 Double action			
C173131-RS485-30	MODE BUS RS485	0/4-20mA	NO	单作用 Single action			
C173132-RS485-30	MODE BUS RS485	0/4-20mA	NO	双作用 Double action			
注意：适用于缸径尺寸：Φ50/60/70/80/90/110，气缸容量：≥ 50ml & ≤220ml ; Note: Applicable to actuator bore size:Φ50/60/70/80/90/110, Cylinder capacity: ≥ 50ml & ≤220ml ;							

阀门定位器-IL-TOP-1431

Valve Positioner-IL-TOP-1431

阀门定位器-IL-TOP-1731 订购信息

Valve Positioner-IL-TOP-1731 Ordering Information

货号/型号 Item/Model	功能介绍 Function introduction						
	总线通讯 Bus communication	信号输入 signal input	反馈输出 Feedback output	执行机构 Actuator	断气、断电故障 Air failure, power failure	执行机构 (mm) Actuator	适用行程 Applicable valve stroke
C173131-1-30	NO	0/4-20mA ; 0-5V/10V ;	0/4-20mA ; 0-5V/10V ;	单作用 Single action	阀位保持 Valve position holding	Φ50/60/70 /80/90/114	30mm (推荐) (recommended)
C173132-1-30	NO	0/4-20mA ; 0-5V/10V ;	0/4-20mA ; 0-5V/10V ;	双作用 Double action			
C173131-1-P-30	NO	0/4-20mA	NO	单作用 Single action			
C173132-1-P-30	NO	0/4-20mA	NO	双作用 Double action			
C173131-1-RS485-30	MODE BUS RS485	0/4-20mA	NO	单作用 Single action			
C173132-1-RS485-30	MODE BUS RS485	0/4-20mA	NO	双作用 Double action			
注意：适用于缸径尺寸：Φ50/60/70/80/90/110，气缸容量：≥ 50ml & ≤220ml ; Note: Applicable to actuator bore size:Φ50/60/70/80/90/110. Cylinder capacity: ≥ 50ml & ≤220ml ;							
货号/型号 Item/Model	功能介绍 Function introduction						
	总线通讯 Bus communication	信号输入 signal input	反馈输出 Feedback output	执行机构 Actuator	断气、断电故障 Air failure, power failure	执行机构 (mm) Actuator	适用行程 Applicable valve stroke
C173131-30	NO	0/4-20mA ; 0-5V/10V ;	0/4-20mA ; 0-5V/10V ;	单作用 Single action	自动复位 (推荐) Automatic reset (recommended)	Φ114/120/130 /160/200/300	30mm (推荐) (recommended)
C173132-30	NO	0/4-20mA ; 0-5V/10V ;	0/4-20mA ; 0-5V/10V ;	双作用 Double action			
C173131-P-30	NO	0/4-20mA	NO	单作用 Single action			
C173132-P-30	NO	0/4-20mA	NO	双作用 Double action			
C173131-RS485-30	MODE BUS RS485	0/4-20mA	NO	单作用 Single action			
C173132-RS485-30	MODE BUS RS485	0/4-20mA	NO	双作用 Double action			
注意：适用于缸径尺寸：Φ110/120/130/160/200/300/400，气缸容量：≥ 220ml & ≤1000ml ; Note: Applicable to actuator bore size:Φ110/120/130/160/200/300/400, Cylinder capacity: ≥ 220ml & ≤1000ml;							
货号/型号 Item/Model	功能介绍 Function introduction						
	总线通讯 Bus communication	信号输入 signal input	反馈输出 Feedback output	执行机构 Actuator	断气、断电故障 Air failure, power failure	执行机构 (mm) Actuator	适用行程 Applicable valve stroke
C173131-1-30	NO	0/4-20mA ; 0-5V/10V ;	0/4-20mA ; 0-5V/10V ;	单作用 Single action	阀位保持 Valve position holding	Φ114/120/130 /160/200/300	30mm (推荐) (recommended)
C173132-1-30	NO	0/4-20mA ; 0-5V/10V ;	0/4-20mA ; 0-5V/10V ;	双作用 Double action			
C173131-1-P-30	NO	0/4-20mA	NO	单作用 Single action			
C173132-1-P-30	NO	0/4-20mA	NO	双作用 Double action			
C173131-1-RS485-30	MODE BUS RS485	0/4-20mA	NO	单作用 Single action			
C173132-1-RS485-30	MODE BUS RS485	0/4-20mA	NO	双作用 Double action			
注意：适用于缸径尺寸：Φ110/120/130/160/200/300/400，气缸容量：≥ 220ml & ≤1000ml ; Note: Applicable to actuator bore size:Φ110/120/130/160/200/300/400, Cylinder capacity: ≥ 220ml & ≤1000ml;							



气动调节阀-球阀式

Pneumatic Regulating valve (Ball valves Type)



气动调节式三片式球阀
Pneumatic Regulating valve
(Three-piece ball valve)



气动调节式无滞留球阀
Pneumatic Regulating valve
(No retention ball valve)



气动调节式蝶型球阀
Pneumatic Regulating valve
(Butterfly Type Ball Valve)



气动调节式直筒球阀
Pneumatic Regulating valve
(Directly Ball Valve)



气动调节式三通球阀
Pneumatic Regulating valve
(Tee Ball valve)

调节阀

- SIZE: 1/2" - 4", DN10-DN100
- 工作压力: 10bar
- 气源压力: 4-7bar
- 材质: 304/316L(1.4301/1.4404), 1.4435 Nb2
- 工作温度: -10°C到130°C
-10°C到150°C(角座阀、截止阀)
- 信号输入: 0/4-20mA, 0-5/10V
- 反馈输出: 0/4-20mA, 0-5/10V (选型)
- 总线协议: Mode BUS Rs485 (选型)
- 电源: DC 24V±10%
- 防护等级: IP67
- 显示界面: OLED显示屏
- 显示菜单: 中文&英文

Regulating valve

- SIZE: 1/2" - 4", DN10 - DN100
- Working Pressure: 10 bar
- Air pressure: 4 to 7 bar
- Material: 304/316 L (1.4301/1.4404) and 1.4435 Nb2
- Working temperature: - 10 °C to 130 °C
- 10 °C to 150 °C
(Angle seat valve, stop Reversing valve)
- Signal input: 0/4-20 mA, 0-5/10V
- Output feedback: 0/4-20 mA, 0-5/10V (selection)
- BUS protocol: DEVICE NET BUS (selection)
- Power supply: DC 24V±10%
- Protection grade: IP67
- Operation Interface: OLED display
- Display menu: Chinese & English

注意：有关各种调节阀的详细资料请查阅调节的资料。

Note: for details of all kinds of regulating valve, please refer to adjust the data.



上移键Up key
下移键Down key
确定键Confirm key

操作菜单

- ◆初次调试时设置基本功能并可选择附加功能操作菜单。
- ◆通电后，应启动自整定(长按上移键5/S)，确保气源压力4-7bar，自整定过程约5min，如出现ERRXX报警(检查：气压、执行机构、阀门)。

- ◆自动和手动切换，短按/次即可实现(绿色灯闪亮 = 自动，绿色灯常亮 = 手动)
- ◆手动操作：点按上、下移动键，即可实现阀位上下移动(注意：点按微量移动)
- ◆自动操作：IL - TOP采集外部设备信号(如PLC、变送器等)通过PID运算达到目标位置。

Operation menu

- ◆Origin set the basic function and can choose to supplementary function process.
- ◆After electrify, should start from the setting (long press up health 5 / S), to ensure that the air pressure 4 to 7 bar, Self-tuning process for about 5 min, if appear ERRXX alarm (check: pressure, actuators, valves).
- ◆Automatic and manual switch, short press/time can be realized (green light shining = automatic, green light normally on = manual)
- ◆Manual operation: click the move up, down, move up and down the valve position can be realized(note: click trace mobile)
- ◆Automatic operation: IL - TOP acquisition external devices (such as PLC, transducer, etc.) Through the PID operation to reach the target location.



气动调节阀-各种结构阀门

Valve Positioner-IL-TOP-1431

Can apply a variety of different structural valves



气动无菌调节阀
Pneumatic Regulating valve
(Seat valve type)



气动角座调节阀
Pneumatic Regulating valve
(Angle Seat Valve)



气动截止调节阀
Pneumatic Regulating valve
(Globe valve Type)



隔膜阀+定位器
Pneumatic Regulating valve
(Diaphragm valve type)

气动调节式蝶阀
Pneumatic Regulating valve
(Butterfly valve type)



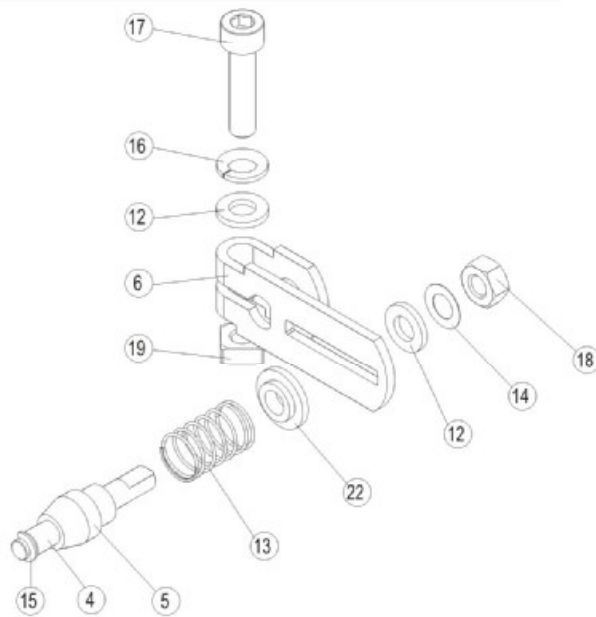
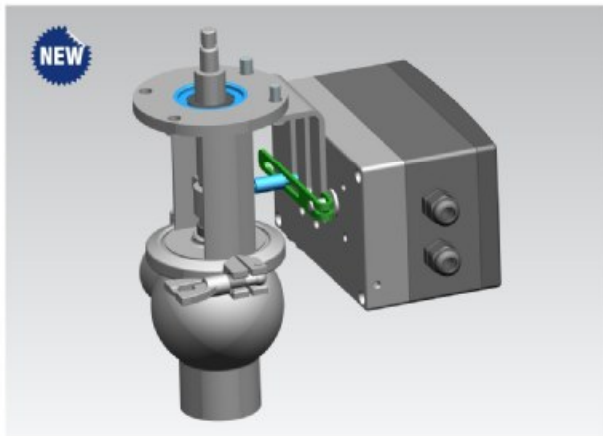
气动三通调节阀
Pneumatic Regulating Tee valve
(Globe valve type)



注意：有关各种调节阀的详细资料请查阅调节的资料。
Note: for details of all kinds of regulating valve, please refer to adjust the data.



定位器侧面安装支架 Side Mounting Brackets for Positioner



Legend

No.	Name
4	Driver pin
5	Conical roller
6	Lever
12	
13	
14	
15	For a description of the numbering, refer to
16	Table 10: Attachment kit for linear actuators
17	
18	
19	
22	

Assembling the lever

! The gap between the driver pin and the shaft should be the same as the drive stroke. As a result, the lever has a swing range of 60° (see "Figure 15").

Rotation range of the position sensor:

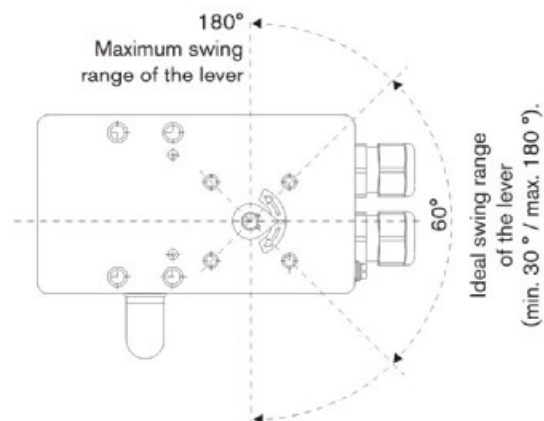
The maximum rotation range of the position sensor is 180°.

Swing range of the lever:

To ensure that the position sensor operates at a good resolution, the swing range of the lever must be at least 30°.

The swing movement of the lever must be within the position sensor rotation range of 180°.

The scale printed on the lever is not relevant.



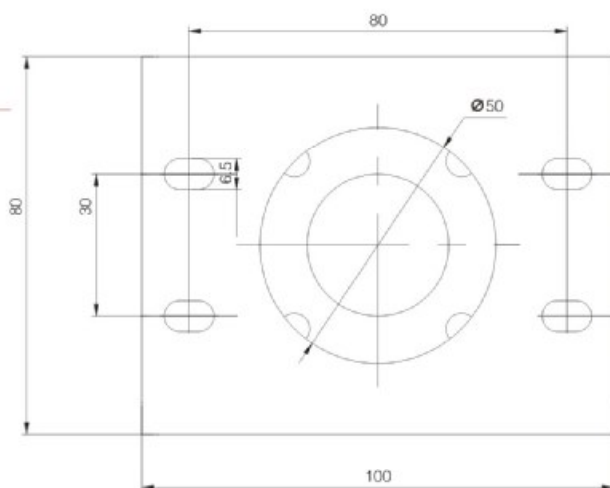
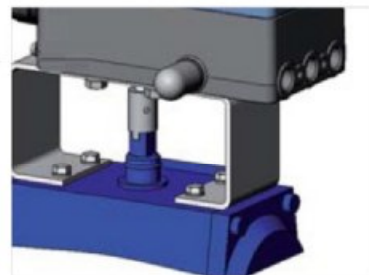
The swing movement of the lever must be within the position sensor rotation range of 180°.



阀门定位器IL-TOP-S

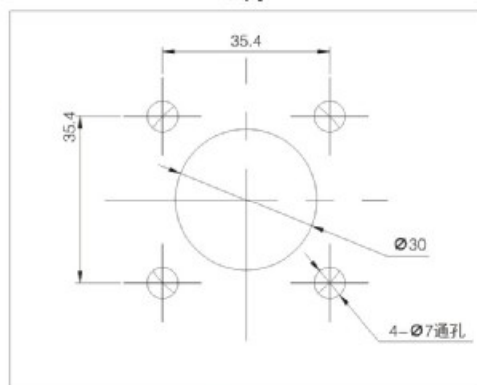
Valve positioner IL-TOP-S

定位器安装角行程执行器 Positioner Assembly rotary actuator



与执行器连接孔距尺寸
Connection Hole Size with actuator

A向



与定位器连接孔距尺寸
Connection Hole Size with Positioner



可提供各种角行程的执行器，如蝶阀、球阀等各种阀门。
规格：1"–12"，DN25–DN200

Can provide various Rotary actuators, such as butterfly valves, ball valves and other valves.
Specifications: 1" to 12", DN25 – DN200

各种气动阀门+定位器

Various pneumatic valves+locator

调节阀

- ◆ SIZE: 1"-4", DN25-DN100
- ◆ 工作压力: 10bar
- ◆ 气源压力: 4-7bar
- ◆ 材质: 304/316L(1.4301/1.4404), 1.4435 Nb2
- ◆ 工作温度: -10°C到130°C
-10°C到150°C(角座阀、截止阀)
- ◆ 信号输入: 0/4-20mA, 0-5/10V
- ◆ 反馈输出: 0/4-20mA, 0-5/10V(选型)
- ◆ 总线协议: DEVICE NET BUS(选型)
- ◆ 电源: DC 24V
- ◆ 防护等级: IP67
- ◆ 操作界面: LCD显示屏

Regulating valve

- ◆ SIZE: 1" - 4", DN25 - DN100
- ◆ Working pressure: 10 bar
- ◆ Air pressure: 4 to 7 bar
- ◆ Material: 304/316 I (1.4301/1.4404) and 1.4435 Nb2
- ◆ Working temperature: - 10 °C to 130 °C
- 10 °C to 150 °C
(Angle seat valve, stop Reversing valve)
- ◆ Signal input: 0/4-20 mA, 0-5/10V
- ◆ Output feedback: 0/4-20 mA, 0-5/10V (selection)
- ◆ BUS protocol: DEVICE NET BUS (selection)
- ◆ Power supply: DC 24V
- ◆ Protection grade: IP67
- ◆ Operation Interface: LCD display



订购信息 Order information

IL-TOP-S 方形定位器 IL-TOP-S Square Controller

型号TYPE	功能介绍Features	位置反馈Position feedback	说明Description
IL-TOP-S-001-M	定位器+过程控制 Locator + Process Control	4-20mA/0-5/10V	单作用Single-acting
IL-TOP-S-002-M	定位器+过程控制 Locator + Process Control	4-20mA/0-5/10V	双作用Double-acting
IL-TOP-S-001	定位器+过程控制 Locator + Process Control	NO	单作用Single-acting
IL-TOP-S-002	定位器+过程控制 Locator + Process Control	NO	双作用Double-acting
IL-TOP-S-001-BUS	定位器+过程控制+总线 Locator + Process Control+BUS		单作用+DEVICE NET BUS Single-acting+DEVICE NET
IL-TOP-S-002-BUS	定位器+过程控制+总线 Locator + Process Control+BUS		双作用+DEVICE NET BUS Double-acting+DEVICE NET

IL-TOP-S 方形定位器 IL-TOP-S Square Controller

防爆等级: EXD II BT4

型号TYPE	功能介绍Features	位置反馈Position feedback	说明Description
IL-TOP-S-001-M-EX	定位器+过程控制 Locator + Process Control	4-20mA/0-5/10V	单作用-防爆等级 Single-acting - Explosion levels
IL-TOP-S-002-M-EX	定位器+过程控制 Locator + Process Control	4-20mA/0-5/10V	双作用-防爆等级 Double-acting - Explosion levels
IL-TOP-S-001-EX	定位器+过程控制 Locator + Process Control	NO	单作用-防爆等级 Single-acting - Explosion levels
IL-TOP-S-002-EX	定位器+过程控制 Locator + Process Control	NO	双作用-防爆等级 Double-acting - Explosion levels
IL-TOP-S-001-BUS-EX	定位器+过程控制+总线 Locator + Process Control+BUS		单作用, DEVICE NET BUS-防爆 Single-acting, DEVICE NET BUS- explosion
IL-TOP-S-002-BUS-EX	定位器+过程控制+总线 Locator + Process Control+BUS		双作用, DEVICE NET BUS-防爆 Double-acting, DEVICE NET BUS- Explosion



新一代阀门控制单元-C-TOP-II

New design control unit C-TOP-II



技术承诺:

自整定阀位功能反馈

支持模拟信号(4-20mA)&电信号(DC24V)输出

支持AS-I BUS总线

支持手动和自动操作

Technology promise:

Self-adjusting valve position feedback

Analog signal (4-20mA) or electrical signal (DV24V) output

AI-S BUS communication

Manual or automatic operation

应用Applications

C-TOP 是个气动控制头, 为确保优化控制过程阀门而设计的。它与大多数带数字PLC(可编程逻辑控制器)自动化系统兼容。在食品、饮料 和生物制药的工业中, 可配置到各种气动阀门如防混阀、蝶阀、球阀、隔膜阀、换向阀、截止阀等阀门。

C-TOP is a pneumatic control head which is designed to ensure optimum control valve. It is compatible with most PLC with figure and(AS-I bus)communications. In food, beverage, pharmacy industries. Can be configured to all kinds of pneumatic valves such as mixing valve, butterfly valve, ball valve, diaphragm valve, reversing valve, cut-off valve, etc.



工作原理 Operating Principles

C-TOP是个控制头，它集结了信号发送和指挥设备来监控所有类型的(活塞)过程阀门，该原件(在一个单独的部件中)包括以下操作特点：

- ◆气动和电动阀门的控制
- ◆带信号反馈的位置指示器
- ◆该控制头适合安装到气动装置的阀门上，它从控制板或PLC上接收信号，以此来操纵和发送信号到或阀门位置上。另外，C-TOP配有3个信号LED指示灯，可以随时显示阀门的状态。
- ◆绿色：阀门处于开启状态
- ◆红色：阀门处于关闭状态
- ◆黄色：阀门正在进行第三个位置(防混阀)的操作

C-TOP is a head incorporates signal sending and command devices to monitor all the process valves. such part has the following features:

- ◆Controlled by pneumatic or electrical actuators
- ◆Position indicator with signal feedback.
- ◆The control head can be fixed with pneumatic valves. it picks signal from control board or PLC so as to operate and send signal to the valves. In addition, there are three LED signal indicator in the C-TOP box. which indicate the status of the valves.
- ◆Green: open
- ◆Red: close
- ◆Yellow: valve is operating in the third position



选项

- ◆单作用 -1个电磁阀
- ◆双作用 -2个电磁阀
- ◆防混双座 -3个电磁阀

机械调整阀位：

- ◆开或关闭门位置 -1个感应探测器
- ◆开和关闭门位置 -2个感应探测器
- ◆阀门位置：开、关，用于清洗的下位提升阀
- ◆提升(双座/防混阀) -3个感应探测器

自整定阀位：

- ◆一只传感器多个位置点反馈
- ◆自整定阀位功能
- ◆模拟信号输出4-20mA
- ◆电信号输出DC24V
- ◆多针孔插头

技术规格

- ◆最大工作温度：70°C
- ◆介质：润滑的压缩空气，惰性气体
- ◆气动连接：G1/8"
- ◆工作压力：1.5 bar到7 bar(22PSI到102 PSI)
- ◆空气流量：200NL
- ◆保护等级：IP67
- ◆行程：最小3mm 最大70mm
- ◆最大C-TOP 单位：31组(或从属)
- ◆连接电缆：2m
- ◆总线电缆：最大1m
- ◆总线电缆(不包括)：2线用于数据，和30V Dc电压
- ◆AS-I卡规格：2.1
- ◆AS-I卡最大容量：4输入和4输出(4个电磁阀和4个探测器)

Options

- ◆Single act---one solenoid valve
- ◆Double act---two solenoid valves
- ◆Mix-proof double seat valve---three solenoid valves

Valve Position mechanical adjusted:

- ◆Open or close---one sensor
- ◆Open and close---two sensors
- ◆Valve position: open, close, cleans the lower seat
- ◆Seat lift(mix-proof valve)---three sensor

Valve Position self-adjusting:

- ◆1pc sensor with multi position feedback
- ◆Valve position self-adjusting function
- ◆Analog signal (4-20mA) output
- ◆Electrical signal (DC24V) output
- ◆Multiple pinhole plug

Technical Specifications

- ◆Max operating temperature: 70°C
- ◆Medium: lubricated compressed air. Inert gases
- ◆Air connection: G1/8"
- ◆Working pressure: 1.5bar-7bar(22PSI-102PSI)
- ◆Air flux: 200NL
- ◆Protection class: Ip67
- ◆Journey: Min 3mm. Max 70mm
- ◆Max 31 C-TOP units
- ◆Cable length: 2m
- ◆Max.Length of AS-I BUS 1M
- ◆AS-I Bus: two cables are used for digital and 30V DC vitage.
- ◆AS-I card size: 2.1
- ◆AS-I card capacity: four input and four output (4 solenoid valves and four sensors)



新一代阀门控制单元-C-TOP-II

New design control unit C-TOP-II

AS-I总线版本工作原理

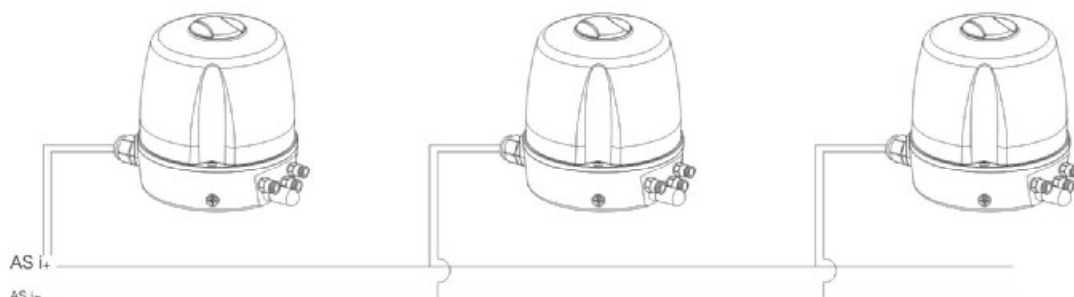
- ◆ AS-I 界面是一个现场总线系统，它可以将执行器和传感器(探测器)网络连接到更高一级的控制设备(主控制器)上。
- ◆ 创建一个AS-I网络，需要电源，一个或几个主控制模块，总线电缆(执行电缆)和为AS-I连接(特别的内置卡，连接电缆，绝缘置换连接器)做准备的C-TOP。
- ◆ AS-I现场总线的电压由电源供应。
- ◆ 传感器和电磁阀由主控制模块控制。
- ◆ 每个主控制器传输信息到PLC并且最多可以控制 31个 C-TOP的单位。
- ◆ 相互的连接通过执行电缆来实现。执行电缆不仅用来传输信息，也为电磁阀和探测器提供电源。
- ◆ AS-I版本的C-TOP必须同感应探测器和24V Dc安装在一起。
- ◆ C-TOP 的执行电缆和总线电缆通过绝缘置换连接器来连接，因此，无需通过电缆将每个C-TOP和控制系统连接在一起。

AS-I bus version operating principles

- ◆ AS-I interface is a spot bus-mastering, It connect actuators and with sensors network to a high level control equipment (main controller)
- ◆ The creation of a AS-I network needs power, one or several control module, bus-mastering (implement cable),C-TOP that prepared for AS-I connection (special built-in card, connect cable, insulated replacement connector)
- ◆ The power supplise voltage for AS-I spot
- ◆ Sensors and solenoid transfer information to PLC,and can control up
- ◆ To 31 pieces C-TOP
- ◆ Implement cables ensure interact connections smoothly, the cables not only transfer information, but also supply power for sensors and solenoid valves
- ◆ AS-I C-TOP must be installed with sensor and 24V DC
- ◆ Insulated replacement connector is used to connect the implement cables for C-TOP with bus-mastering cables Therefore, it doesn't need any cable to connect C-TOP with control system

每个主控制器可以连接31个C-TOP单位

Each main controller can connect 31 pieces C-TOP unit.



设计和特点 Design and Features

- ◆ 通过AS-I总线可以简单、快速、并且经济的将传感器和电磁阀(执行器)进行相互连接。由于电缆布线的大量减少，使工厂的装配和启动更加便利。另外，缩短了启动时间，并且避免了一些可能会发生的安装错误。
- ◆ 部件同标准的C-TOP一样。唯一改变的部件是内置卡，AS-I 绝缘置换连接器的连接电缆和连接器本身。
- ◆ Connecting sensors with solenoid valve(actuator)easily,fast; economically by AS-I bus-mastering, since cables are largely decreased, installation and start up become more convenient. Besides, start time is shortened, and some hidden troubles in the installation can be avoided.
- ◆ Parts are same as standard C-TOP.The only changed part is the built-in card, AS-I insulated replacement connector and the cable connector itself.



操作界面Interface



功能设定和按键操作 Function setting and the key operation

双键长按

设定位移设定值

- 1+2长按 设定第一个位移设定值
- 2+3长按 设定第二个位移设定值
- 1+3长按 设定第三个位移设定值

三个键长按

- 1+2+3长按 自动设定所有位移设定值

Press and hold double keys

Set displacement setting value

- Press and hold V1&V2 to set first displacement setting value
- Press and hold V2&V3 to set second displacement setting value
- Press and hold V1&V3 to set third displacement setting value

Press and hold 3keys

- Press and hold V1&V2&V3 to set all displacement setting value automatically

位移版本功能 Displacement version features

通电后，应先启动自整定阀位点反馈(根据按键操作说明)。
 手动操作，长按单键(如V1-V2-V3)开启某个阀位，松开自动复位。
 自动操作，采集外部设备工作指令。

After power supplied, start valve position self-adjusting function
 (Per key operation instruction)

Manual operation: Press and hold one key (V1.V2 or V3) to open valve,
 release reset.

Automatic operation: Collet instruction from external equipment.

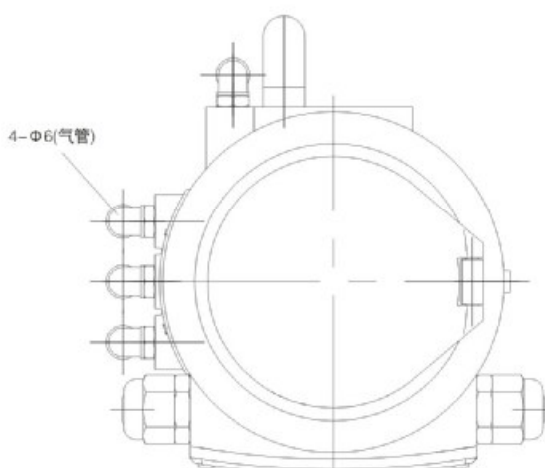
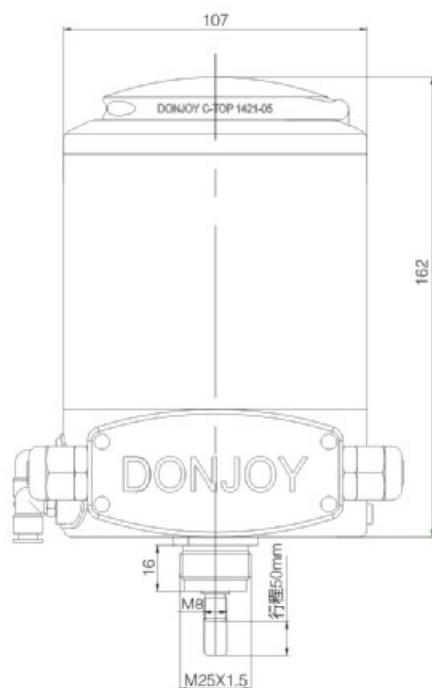
机械调节版本功能 Mechanical adjustment version features

通电前先对应感应块和传感器必须先对应位置。
 手动操作，长按单键(如V1-V2-V3)开启某个阀位，松开自动复位。
 自动操作，采集外部设备工作指令。

Before power supplied, induction block and sensor should find position
 Manual operation: Press and hold one key (V1.V2 or V3) to open valve,
 release reset.

Automatic operation: Collet instruction from external equipment.

C-TOP安装尺寸图



新一代阀门控制单元-C-TOP-II

New design control unit C-TOP-II



多针孔插头连接器M16
Multi pinhole Plug Connector M16



直通式插头 Straight Plug



弯头式插头 Elbow Plug

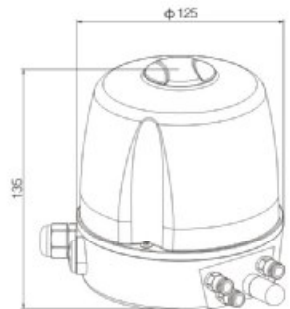


C-TOP 1421款

注意：多针孔选项订购时请说明！
Note: Multi-pinhole option please specify when ordering!

阀门控制单元 2014款C-TOP Valve control unit 2014 C-TOP

位移调节版本Displacement regulating version		描述Description		电源 Power Supply	连接功能 Connection function	备注Remarks
货号Item No.	传感器Sensor	电磁阀Solenoid valve				
1421-05-S1-V1	1	1	DC24V	电缆连接 Cable connection	单作用Single action	
1421-05-S1-V2		2			双作用Double-acting	
1421-05-S1-V3		3			三作用(防混阀)Three effects (mixproof valve)	
1421-05-S1-V1-AS		1		AS-I总线通讯 AS-I bus	单作用Single action	
1421-05-S1-V2-AS		2			双作用Double-acting	
1421-05-S1-V3-AS		3			三作用(防混阀)Three effects (mixproof valve)	
机械调节版本Mechanic adjustment version		描述Description		电源 Power Supply	连接功能 Connection function	备注Remarks
货号Item No.	传感器Sensor	电磁阀Solenoid valve				
1421-05-S1-V1-M	1	1	DC24V	电缆连接 Cable connection	单作用Single action	
1421-05-S2-V1-M	2	1			单作用Single action	
1421-05-S2-V2-M	2	2			双作用Double-acting	
1421-05-S3-V3-M	3	3		三作用(防混阀)Three effects (mixproof valve)		
1421-05-S1-V1-AS-M	1	1		AS-I总线通讯 AS-I bus	单作用Single action	
1421-05-S2-V1-AS-M	2	1			单作用Single action	
1421-05-S2-V2-AS-M	2	2			双作用Double-acting	
1421-05-S3-V3-AS-M	3	3	三作用(防混阀)Three effects (mixproof valve)			



2008款C-TOP
2008Type-C-TOP

尺寸图
Dimensions Figure

2008TYPE-C-TOP	描述Description		电源 Power Supply	连接功能 Connection function	备注Remarks
货号Item No.	传感器Sensor	电磁阀Solenoid valve			
0821-S1-V1-M	1	1	DC24V	电缆连接 Cable connection	单作用Single action
0821-S2-V1-M	2	1			单作用Single action
0821-S2-V2-M	2	2			双作用Double-acting
0821-S3-V3-M	3	3		三作用(防混阀)Three effects (mixproof valve)	
0821-S1-V1-AS-M	1	1		AS-I总线通讯 AS-I bus	单作用Single action
0821-S2-V1-AS-M	2	1			单作用Single action
0821-S2-V2-AS-M	2	2			双作用Double-acting
0821-S3-V3-AS-M	3	3		三作用(防混阀)Three effects (mixproof valve)	



迷你型C-TOP

Mini-type C-TOP



应用

C-TOP 是个气动控制头，为确保优化控制过程阀门而设计的。它与大多数带数字通讯的PLC (可编程逻辑控制器) 自动化系统兼容。在食品、饮料和生物制药的工业中，C-TOP 可能装配到任何通电的阀门过程中。

Applications

C-TOP is a pneumatic control head which is designed to ensure optimum control valve. It is compatible with most PLC with figure and (AS-I bus)communications. In food, beverage, pharmacy industries. C-TOP can be installed on any electrified valve.

工作原理

C-TOP 是个控制头，它集结了信号发送和指挥设备来监控所有类型的(活塞)过程阀门，该原件(在一个单独的部件中)包括以下操作特点：

- ◆气动阀门的控制
- ◆带信号反馈的位置指示器
- ◆该控制头适合安装到气动装置的阀门上，它从控制板或PLC上接收信号，以此来操纵和发送信号到或阀门位置上。另外，C-TOP 配有2个信号LED指示灯，可以随时显示阀门的状态。
- ◆绿色：阀门处于开启状态
- ◆红色：阀门处于关闭状态

Operating Principles

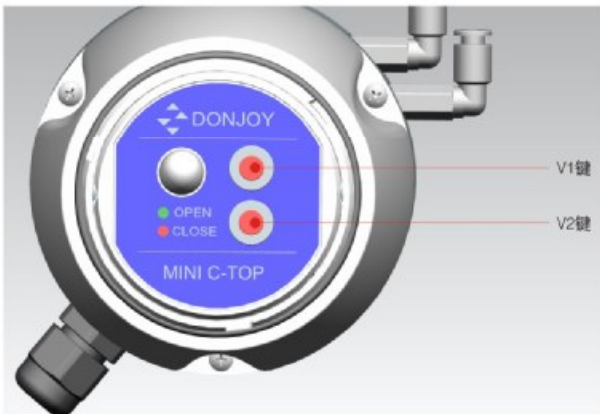
C-TOP is a head incorporates signal sending and command devices to monitor all the process valves. such part has the following features:

- ◆Controlled by pneumatic actuators
- ◆Position indicator with signal feedback.
- ◆The control head can be fixed with pneumatic valves. it picks signal from control board or PLC so as to operate and send signal to the valves. In addition, there is are two Light Emitting Diode (LED) in the C-TOP box, Which indicate the status of all the valves.
- ◆Green: open
- ◆Red: close

选项与技术规范 Operating

- ◆ 单作用
- ◆ 双作用
- ◆ 工作温度: 70°C (150° F)
- ◆ 流体: 润滑的压缩空气, 惰性气体
- ◆ 工作压力: 5-7bar
- ◆ 保护等级: IP66

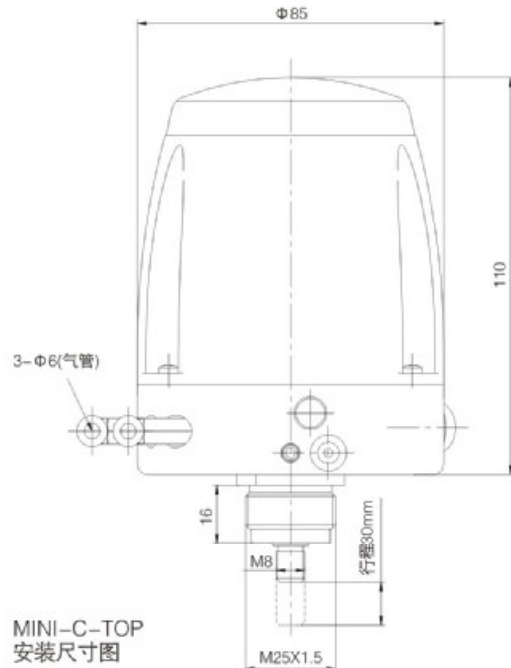
- ◆ Air/Spring
- ◆ Air/Air
- ◆ Working temperature: 70°C (150° F)
- ◆ Fluid: lubricated of compressed air, inert gases
- ◆ Working pressure: 5-7 bar
- ◆ Protection class: IP66



位移版本功能 Displacement version features

通电后, 应先启动自整定阀位点反馈(根据按键操作说明)。
 手动操作, 长按单键(如V1-V2)开启某个阀位, 松开自动复位。
 自动操作, 采集外部设备工作指令。

After the power is switched on, it should start from setting valve site (according to the feedback button operating instructions)
 Manual operation: press the one touch (such as V1-V2) to open a valve, release the automatic reset.
 Automatic operation: work instruction acquisition of external equipment.



MINI-C-TOP
安装尺寸图

功能设定和按键操作 Function setting and the key operation

长按双键V1和V2自动设置2个阀位点

绿灯亮 = 开启
 红灯亮 = 关闭

Long press two keys (V1 and V2) to automatically set the 2 valve site feedback

The green light = Open
 The red light = off

机械调节版本功能 Mechanical adjustment version features

通电前先对应感应块和传感器必须先对应位置。
 手动操作, 长按单键(如V1-V2)开启某个阀位, 松开自动复位。
 自动操作, 采集外部设备工作指令。

Electricity before the corresponding induction block and a sensor must correspond to the exact position.
 Manual operation: press the one touch (such as V1-V2) to open a valve, release the automatic reset.
 Automatic operation: work instruction acquisition of external equipment



迷你型C-TOP Mini-type C-TOP



配置到各种阀门
Configuration to kinds of valves





C-TOP 1311款

订购注意 Order note

迷你型控制单元有两种版本
位移调节版本
机械调节版本

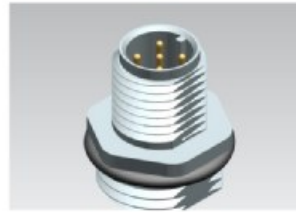
Miniature control unit has two versions
Displacement adjusting version
Machine adjusting version



直通式插头 Straight Plug



弯头式插头 Elbow Plug



注意：多针孔选项订购时请说明！
Note: Multi-pinhole option please be specified when ordering!

订购信息 Order information

位移调节版本 Displacement regulating version	描述 Description		电源 Power Supply	连接功能 Connection function	备注 Remarks
货号 Item No.	传感器 Sensor	电磁阀 Solenoid valve			
MIN-S1-V1	1	1	DC24V	电缆连接 Cable connection	单作用 Single action
MIN-S1-V2		2			双作用 Double-acting
MIN-S1-V1-AS		1		AS-I总线通讯 AS-I bus	单作用 Single action
MIN-S1-V2-AS		2			双作用 Double-acting

机械调节版本 Mechanic adjustment version	描述 Description		电源 Power Supply	连接功能 Connection function	备注 Remarks
货号 Item No.	传感器 Sensor	电磁阀 Solenoid valve			
MIN-S1-V1-M	1	1	DC24V	电缆连接 Cable connection	单作用 Single action
MIN-S2-V1-M	2	1			单作用 Single action
MIN-S2-V2-M	2	2		双作用 Double-acting	
MIN-S1-V1-AS-M	1	1		AS-I总线通讯 AS-I bus	单作用 Single action
MIN-S2-V1-AS-M	2	1			单作用 Single action
MIN-S2-V2-AS-M	2	2			双作用 Double-acting



不锈钢气动执行器

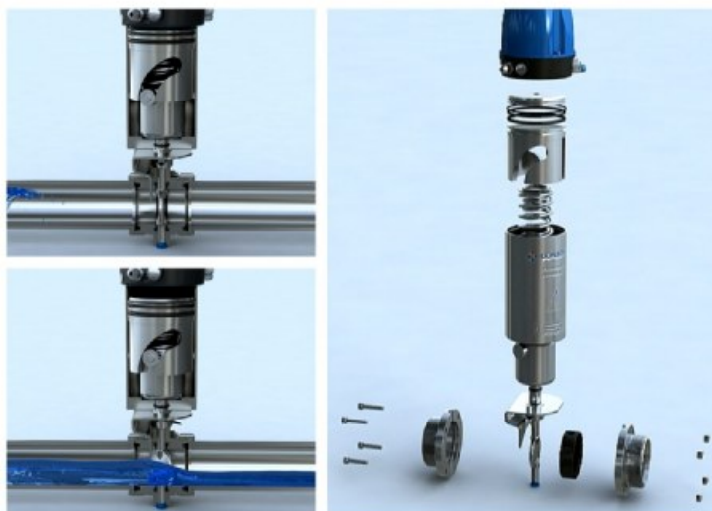
Stainless steel pneumatic actuator



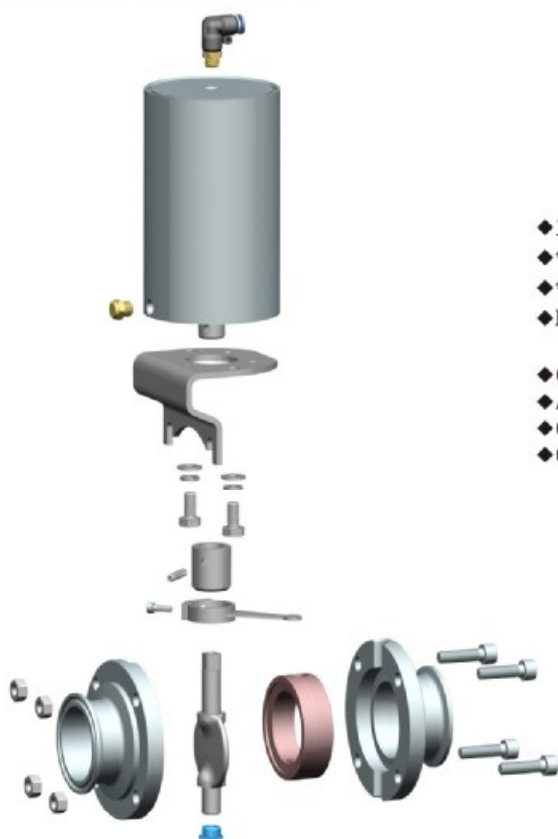
应用Application

不锈钢气动执行器，是一款立式角行程设计的执行器，它可以安装到各种角行程的阀门。全不锈钢外壳，外观没有死角，抗腐蚀、外观精巧等技术特点。还可以配置各种控制单元，如定位器、位置传感器，C-TOP等各种控制系统。

Stainless steel pneumatic actuator, which is a vertical angle design, It can be mounted to a variety of angular travel valve. All stainless steel shell, the appearance of dead is better, corrosion resistant, exquisite appearance, actuator and valve connection very simple technical characteristics. And the configuration of various controllers are flexible, such as valve locator (IL-TOP), a valve control unit (C-TOP), a position sensor and other control system.

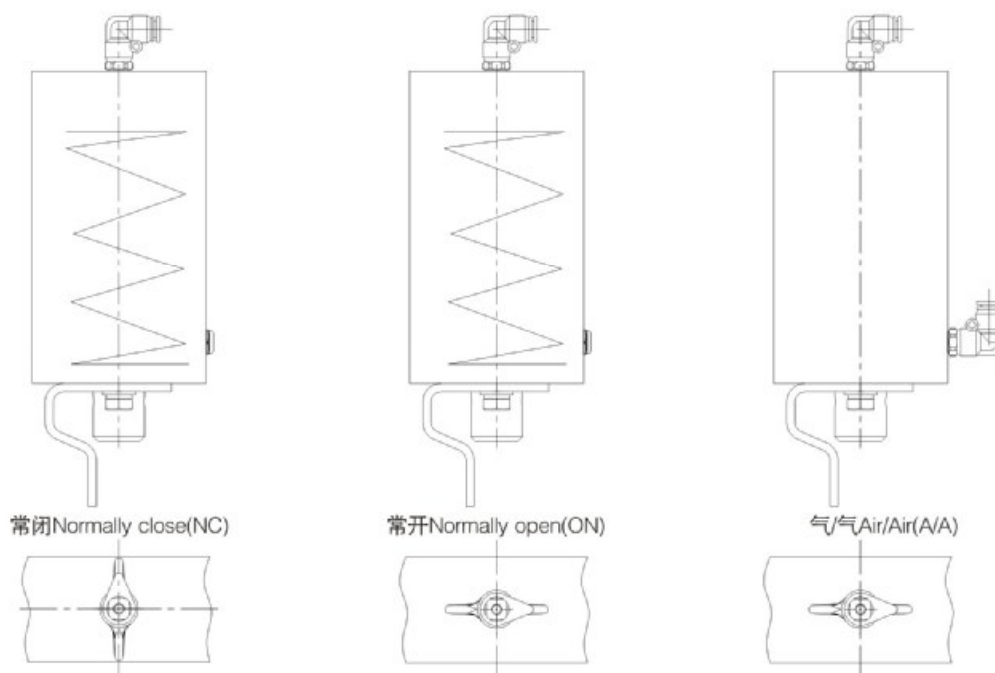


技术规格 Technical Specifications

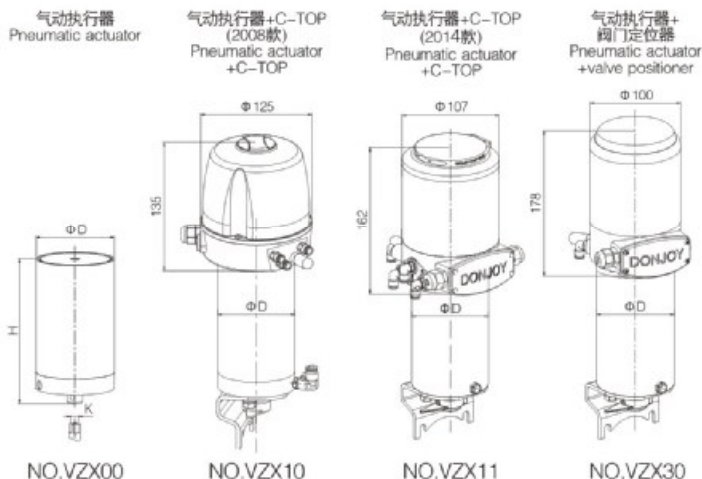


- ◆工作温度: -10°C – 80°C
- ◆气源压力: 5–7bar
- ◆气缸规格: $\Phi 85$ – $\Phi 168$
- ◆联轴器: $\square \diamond 8^*8/9^*9/10^*10/11^*11/12^*12/14^*14\text{mm}$

- ◆Operating temperature: -10°C – 80°C
- ◆Air pressure: 5–7bar
- ◆Cylinder specification: $\Phi 85$ – $\Phi 168$
- ◆Connection shaft: $\square \diamond 8^*8/9^*9/10^*10/11^*11/12^*12/14^*14\text{mm}$



各种气动阀门配置 Various pneumatic valves



不锈钢气动执行器 Stainless steel pneumatic actuators

Size	D	H	K	空气耗量(ml/循环次) Air consumption (ml per cycle)	
				单作用(气/弹簧) Single act (air/spring)	双作用(气/气) Double act (air/air)
85	86	159.5	8 × 8	216	532
85	86	159.5	10 × 10	216	532
85	86	159.5	11 × 11	216	532
114	113	218	11 × 11	450	900
114	113	218	14 × 14	450	900
133	133	255	11 × 11	776	1552
133	133	255	14 × 14	776	1552
168	166	275	14 × 14	-	2824

(气/气)双作用力矩输出(N.M) (air/air) double acting torque output (N.M)

SIZE	4Bar	4.5Bar	5Bar	5.5Bar	6Bar	6.5Bar	7Bar	7.5Bar	8Bar
85	42	48	54	60	66	70	76	80	86
114	80	90	100	110	120	130	140	150	160
133	134	150	166	182	198	214	230	246	262
168	179	202	225	246	271	294	317	340	363

(气/弹簧)单作用力矩输出(N.M) (air/spring) single action torque output (N.M)

气压	4Bar		4.5Bar		5Bar		5.5Bar		6Bar		6.5Bar		7Bar		7.5Bar		8Bar		弹簧复位输出 力矩(N.M)	
SIZE	0°	90°	0°	90°	0°	90°	0°	90°	0°	90°	0°	90°	0°	90°	0°	90°	0°	90°	0°	90°
85	17	2	23	8	29	14	35	20	41	26	47	32	53	38	59	44	65	50	22	32
114	50	12	60	22	70	32	80	42	90	52	100	62	110	72	120	82	130	92	36	74
133	94	24	110	40	126	56	142	72	150	88	166	104	182	120	198	136	216	152	71	133

迷你型气动执行器

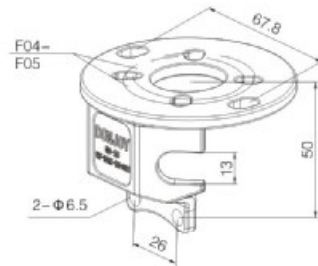
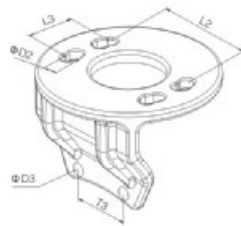
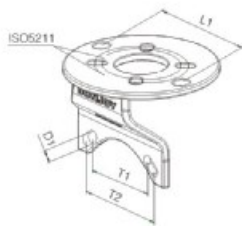
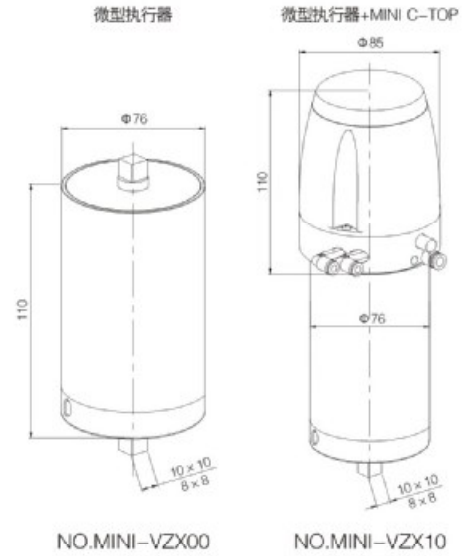
MINI-type pneumatic valves



单作用:
耗气量96m/L
扭矩: 15N.M

双作用:
耗气量268m/L
扭矩: 26N.M

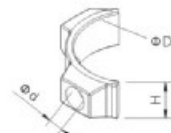
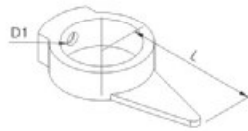
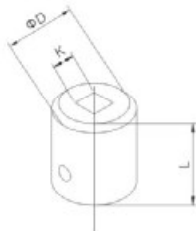
适用于
蝶阀: 1/2"-2"
球阀: 1/2"-1"



执行器 actuator	L1	T1	T2	D1	ISO5211	配蝶阀 Match butterfly valve	配蝶阀球阀 Match butterfly-globe valve
85	67.8	46.7	57.3	6.5	F04-F05	DN10-φ40	DN10-DN32
	67.8	62.2	65.0	8.5	F04-F05	2"-φ57	DN40
	67.8	71.4	84.8	8.5	F04-F05	DN60-3"	DN50
	67.8	88.4	102.5	8.5	F04-F05	DN80-DN100	-

执行器 actuator	L2	L3	T3	D2	D3	配蝶阀 Match butterfly valve	配蝶阀球阀 Match butterfly-globe valve
114-168	70	25.4	40	9	8.5	DN125-DN300	2.5"-DN100

三片蝶阀连接支架
Three butterfly valve connection bracket
该支架特点: 具有传感器位置安装,
适用所有规格三片蝶阀(专用)



连接轴Connecting shaft

Size	K	L	D
85	8 × 8	28	25
85	10 × 10		
85	11 × 11		
114	11 × 11		
114	14 × 14	50	35
133	11 × 11		
133	14 × 14		
168	14 × 14		

传感器支架Sensor Bracket

Size	D1	D2	L
85	14.3	5.5	25.4
114	14.3	9	25.4
133	14.3	9	25.4

塑料指针Plastic Balance

Size	D1	L
86	4.3	43

传感器摆针Sensor Balance

Size	d	D	H
85	5.4	25	12
114	5	35	12
133			
168			



薄膜式气动执行器



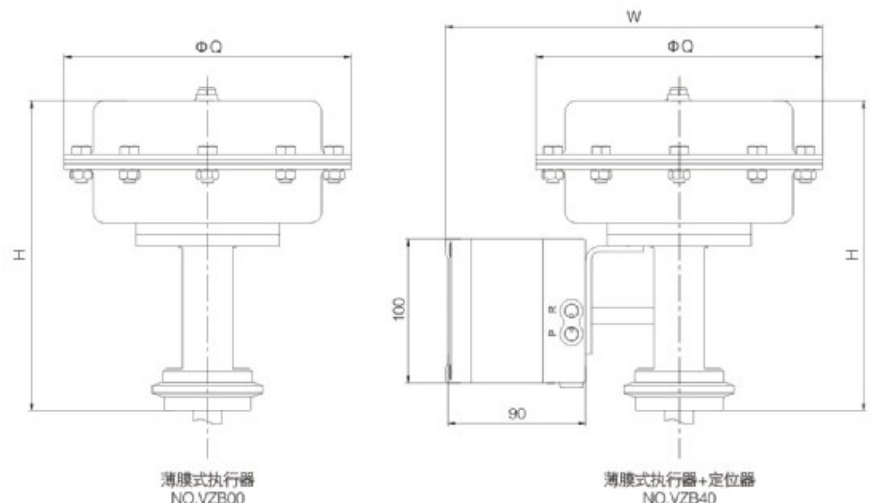
隔膜式气动执行器 Diaphragm pneumatic actuators

技术优势:

同其他的执行器相比具有高度较低, 安装简单, 可承受更高压力, 非常适用于截止调节阀, 抗水锤效果理想, 便于安装阀门定位器。

Technical advantages:
Compared with other actuator has a lower height, simple installation, can withstand higher pressures, ideal for cut-off valve, the ideal anti-water hammer effect, easy to install valve positioner.

SIZE	Q	H	W
200	200	220	263
286	286	256	263



卧式气动执行器

Horizontal pneumatic actuator



常规数据 Normal data

- ◆最大额定气源压力为8bar，最小气源为2.5bar。
- ◆使用温度：标准：-20°C(-4° F)至80°C(+176° F)
- ◆高温：-15°C(+5° F)至+150°C(+302° F)
- ◆低温：-40°C(-40° F)至+150°C(+176° F)
- ◆使用气源：经过干燥过滤或加油润滑的洁净空气，非腐蚀性气体。

应用 Application

卧式气动执行器具有扭矩大，寿命长等特点，可安装各种角行程阀门。
该执行器可以安装定位器，位置传感器，控制单元等附件。



执行器+定位器



非常灵活的组合各种阀门
Very flexible combination of various valve

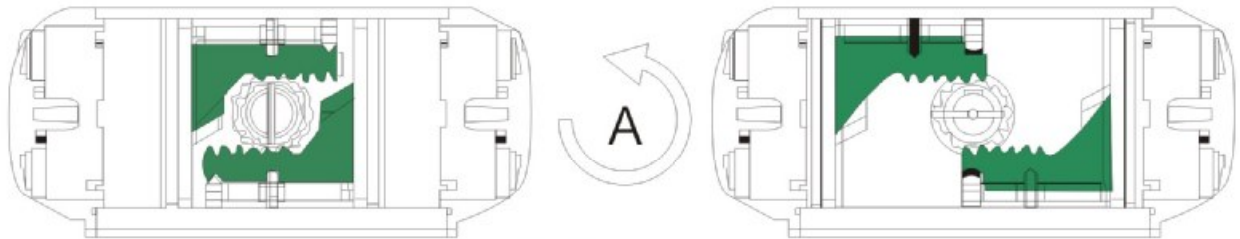
- ◆Max air pressure:8bar, Min air pressure:2.5bar.
- ◆Working temperature: normal temperature: -20°C(-4° F)to +80°C(+176° F)
- ◆High temperature: -15°C(+5° F)to+150°C(+302° F)
- ◆Low temperature: -40°C(-40° F)to+150°C(+176° F)
- ◆Air supply: clean air after dry or filtration, No-corrosive gas.

卧式气动执行器

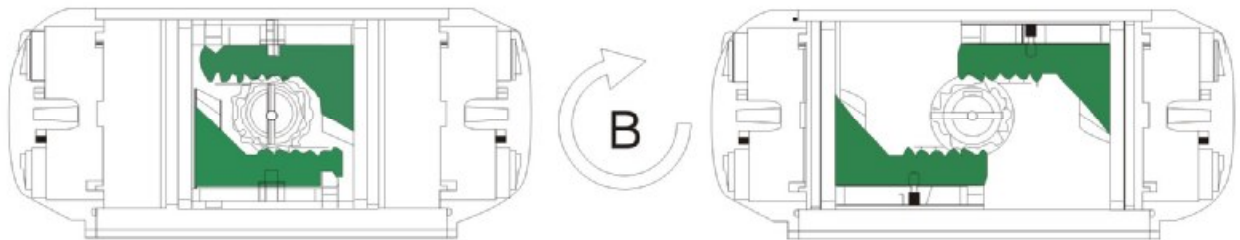
Horizontal pneumatic actuator

关OFF

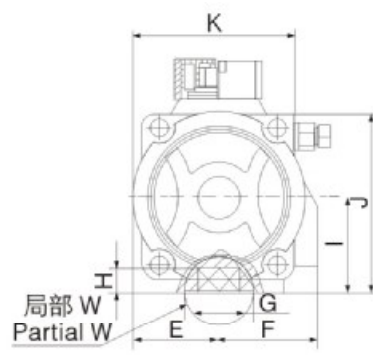
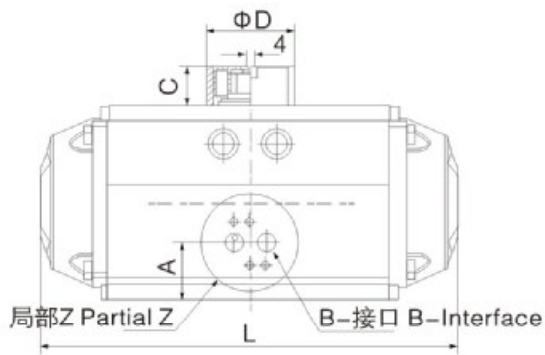
开ON



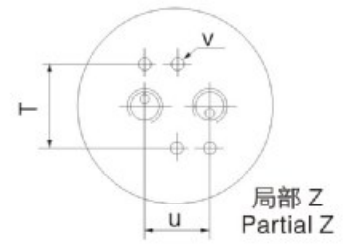
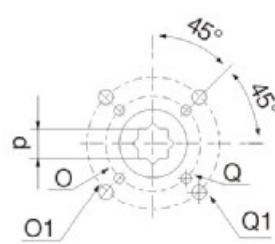
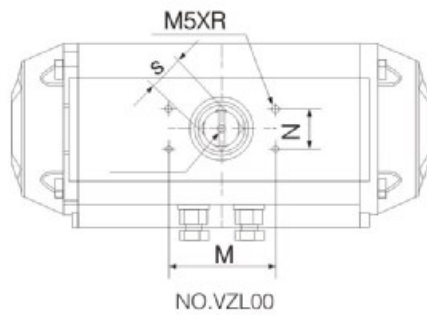
逆时针方向Anti-clockwise



顺时针方向Clockwise direction



ISO 5211



主要外形连接尺寸Mainly Dimension

尺寸(毫米)size:mm

	型号 Model	ZT050 D/S	ZT063 D/S	ZT075 D/S	ZT088 D/S	ZT0100 D/S	ZT0115 D/S	ZT0125 D/S	ZT0145 D/S	ZT0160 D/S	ZT0180 D/S	ZT0200 D/S	ZT0240 D/S	ZT0265 D/S	ZT0330 D/S	
尺寸 Size (mm)	L	140.5	158.5	210.5	247.5	268.5	315	345	408.5	437.5	487	543	621	684	-	
	J	69	85	102	115	127	145	157	177	196	220.5	245	298.5	330	-	
	K	59	72	84.5	97.5	111	127	136	156.5	169	190.7	213	251	298.5	-	
	V	M5×8	M5×8	M5×8	M5×8	M5×8	M5×8	M5×8	M5×8	M5×8	M5×8	M5×8	M6×10	M6×10	-	
	R	4	8	8	8	8	8	8	8	8	8	8	8	8	-	
	M	80	80	80	80	80	80	80	80	80	130	130	130	130	-	
	N	30	30	30	30	30	30	30	30	30	30	30	30	30	-	
	G	30	35	35	55	55	70	70	85	85	100	100	130	130	-	
	H	12	16	16	19	19	24	24	79	29	38	38	48	48	-	
	E	29	36	42.5	49.5	56	64	69.5	80	88	99	110	131	163.5	-	
	F	41.5	47	52	56.8	67	77	82	91.5	99	105	112	131	166	-	
	S	11	11	19	19	19	27	27	27	27	42	42	42	42	-	
	A	26.5	30	30.5	32.5	37.5	42.5	45	47	52	58	62	78.5	165	-	
	C	20	20	20	20	20	30	30	30	30	50	50	50	50	-	
	O	42	50	50	40	70	102	102	125	125	140	140	165	165	-	
	O1	-	-	-	-	-	-	-	-	-	-	-	-	-	-	
	T	32	32	32	35	32	32	32	32	32	32	32	32	45	45	-
	U	24	24	24	24	24	24	24	24	24	24	24	24	40	40	-
	Q	M5	M6	M6	M8	M8	M10	M10	M12	M12	M16	M16	M20	M20	-	
	Q1	-	-	-	-	-	-	-	-	-	-	-	-	-	-	
	T-ISO228	1/8"	1/8"	1/8"	1/8"	1/4"	1/4"	1/4"	1/4"	1/4"	1/4"	1/4"	3/8"	1/2"	-	
	ISO 5211	F04	F05	F05	F07	F07	F10	F10	F12	F12	F14	F14	F16	F16	-	
	O	11	14	14	17	17	22	22	27	27	36	36	46	46	-	
	H1	0.5	05	1.5	1.5	1.5	1.5	1.5	1.5	1.5	2	2	2.5	2.5	-	
I	34.5	42.5	51	57.5	63.5	72.5	78.5	88.5	98	111.5	122	150.5	165	-		
D	40	40	40	40	40	56/65	56/65	65	65	80/115	80/115	115	115	-		
备注 Note	ISO F5211	F03	F04	F05-F0	F05-F07	F07-F10	F07-F	F07-F10	F10-F12	F10-F12	F12	F12	F14	F14	-	
	O	36	42	50	50	50 70	70	70	1025	102	125	125	140	140	-	
	O1	-	-	70	70	70 102	102	102	125	125	-	-	-	-	-	
	Q	M5	M5	M6	M6	M6 M8	M8	M8	M10	M10	M12	M12	M16	M16	-	
	Q1	-	-	M8	M8	M8 M10	M10	M10	M12	M12	-	-	-	-	-	
	G	25	30	35	40	40 55	55	55	70	70	85	85	100	112	-	
	P	9	11	17	17	17 22	22	27	27	27	27	27	36	36	-	
H	10	12	19	19	19 24	24	29	29	29	29	29	38	38	-		

双作用力矩输出(Nm) Double-acting output torque(Nm)

尺寸(毫米)size:mm

双作用力矩输出(Nm)Double-acting output torque(Nm)												
气源压力型号 Gas source pressure model	2.5bar	3bar	3.5bar	4bar	4.2bar	4.5bar	5bar	5.5bar	6bar	7bar	8bar	
DJ050D	8.3	10.0	11.6	13.3	14.0	15.0	16.6	18.3	19.9	23.3	26.6	
DJ063D	14.7	17.6	20.5	23.5	24.6	26.4	29.3	32.2	35.2	41.0	46.9	
DJ075D	29.1	34.9	40.7	46.5	48.9	52.4	58.2	64.0	69.8	81.4	93.1	
DJ088D	45.8	45.9	64.1	73.2	76.9	82.4	91.5	101	110	128	146	
DJ100D	66.5	79.8	93.1	106	112	120	133	146	160	186	213	
DJ115D	107	129	150	172	181	193	215	236	258	301	344	
DJ125D	138	166	194	222	233	249	277	305	332	388	443	
DJ145D	217	261	304	348	365	391	435	478	522	609	696	
DJ160D	284	340	397	454	477	511	567	624	681	794	908	
DJ180D	383	459	536	613	643	689	766	842	919	1072	125	
DJ200D	532	638	745	851	893	957	1064	1170	1276	1489	1702	
DJ240D	596	1072	1251	1430	1501	1608	1787	1966	2144	2502	2859	
DJ265D	1297	1556	1815	2075	2179	2334	2594	2853	3112	3631	4150	
DJ330D	2252	2703	3153	3604	3784	4054	4504	4955	5405	6306		



卧式气动执行器

Horizontal pneumatic actuator

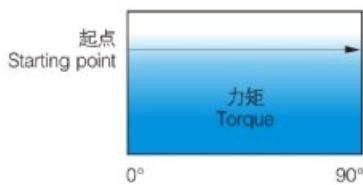
单作用力矩输出表 Out put torque list of single acting

尺寸(毫米) size:mm

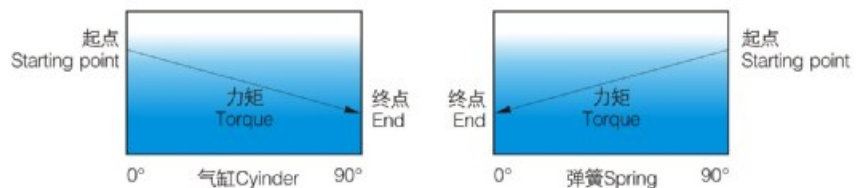
气源压力 Gas source pressure		弹簧复位力矩输出(Nm) Spring return torque output(Nm)												弹簧行程 Spring travel											
执行器 代号 Actuator code	弹簧 数量 Spring Amount	2.5bar		3bar		3.5bar		4bar		4.2bar		4.5bar		5bar		5.5bar		6bar		7bar		8bar		0° 开始 Start	90° 结束 The End
		0° Start	90° The End	0° Start	90° The End	0° Start	90° The End	0° Start	90° The End	0° Start	90° The End	0° Start	90° The End	0° Start	90° The End	0° Start	90° The End	0° Start	90° The End	0° Start	90° The End				
DJ200	S 05	319	217	426	323	532	430	638	536	681	578	745	642	851	749									315	213
	S 06	277	154	383	260	489	367	596	473	638	515	702	579	808	686	915	792							378	255
	S 07			341	197	447	304	553	410	596	453	660	516	766	623	872	729	979	835					441	298
	S 08					404	241	511	347	553	390	617	453	723	560	830	666	936	772	1149	985			504	340
	S 09							468	284	511	327	575	390	681	497	787	603	894	709	1106	922	1319	1135	567	383
	S 10											532	327	638	434	745	540	851	646	1064	859	1277	1072	630	425
	S 11													596	371	702	477	809	583	1021	796	1234	1009	693	468
	S 12															660	414	766	520	979	733	1192	946	756	510
DJ240	S 05	533	372	712	551	890	730	1069	908	1141	980	1248	1087	1426	1266									521	360
	S 06	461	268	640	447	818	625	997	804	1068	876	1176	983	1354	1162	1533	1340							625	433
	S 07			568	343	746	521	925	700	996	771	1104	879	1282	1057	1461	1236	1640	1415					730	505
	S 08					574	417	853	596	924	667	1032	774	1210	953	1389	1132	1568	1310	1925	1668			834	577
	S 09							781	491	852	563	959	670	1138	849	1317	1028	1495	1206	1853	1564	2210	1921	938	649
	S 10											887	566	1066	745	1245	923	1423	1102	1981	1459	2138	1817	1042	721
	S 11													994	640	1173	819	1351	998	1709	1355	2066	1713	1146	793
	S 12															1101	715	1279	894	1637	1251	1994	1608	1251	865
DJ265	S 05	751	496	1011	755	1270	1015	1274	1529	1633	1378	1789	1533	2048	1793									801	546
	S 06	642	336	902	595	1161	854	1114	1420	1524	1217	1680	1373	1939	1632	2198	1892							961	655
	S 07			792	435	1052	694	954	1311	1415	1057	1570	1213	1830	1472	2069	1732	2349	1991					1121	764
	S 08					943	534	793	1202	1306	897	1461	1053	1721	1312	1980	1571	2239	1831	2758	2350			1281	837
	S 09							633	1093	1197	737	1352	893	1612	1152	1871	1411	2130	1671	2649	2189	3168	2708	1442	982
	S 10											1243	732	1503	992	1762	1251	2031	1510	2540	2029	3059	2548	1602	1091
	S 11													1393	832	1653	1091	1912	1350	2430	1869	2950	2388	1762	1200
	S 12															1544	931	1803	1190	2322	1709	2840	2228	1922	1309
DJ300	S 05	1332	1014	1783	1465	2233	1916	2684	2365	2864	2546	3134	2816	3585	3266									1238	920
	S 06	1149	767	1599	1217	2049	1667	2500	2118	2680	2298	2950	2568	3401	3019	3851	3469							1486	1104
	S 07			1415	969	1865	1420	3216	1870	2496	2050	2766	2321	3217	2771	3667	3222	4118	3672					1733	1288
	S 08					1682	1172	2132	1623	2312	1803	2582	2073	3033	2524	3483	2974	3934	3424	4837	3993			1981	1472
	S 09							1948	1375	2128	1555	2398	1825	2849	2276	3299	2726	3750	3177	4648	3698			2229	1656
	S 10											2215	1587	2665	2028	3115	2479	3566	2929	4458	3403			2476	1839
	S 11													2481	1781	2931	2231	3382	2682	4269	3107			2724	2023
	S 12															2748	1983	3198	2434	4079	2812			2971	2207

失气弹簧输出力矩 The toraue of spring output when loss air

双作用执行器力矩输出图
Actuator double acting Torque output drawing



单作用执行器力矩输出图
Single acting Torque output drawing



电动执行器

Electric actuator

产品类型

- ◆标准开关型号(B型)
通过开关电路实现阀门的开启、关闭操作，同时输出一组有源触点信号，指示位处于全开或全闭状态。
- ◆无源角点型(S型)
通过开关电路实现阀门的开启、关闭操作，同时输出一组无源角点信号，指示阀位外于全开或全闭状态。
- ◆带位置信号型(K型)
通过开关电路实现阀门开启和关闭操作，同时输出与阀门开闭角度相对的电流信号。
- ◆开度信号型号(R型)
通过开关电路控制阀门开启角度，同时电位器输出与阀门开度位置相对应的电阻信号。
- ◆智能调节型(A型)
通过接收计算机或工业仪表输出的标准信号4-20mA, DC, 0-10V, DC或1-5V, DC,实现智能调节和控制，并输出4-20mA, DC的标准反馈信号。

Product type

- ◆Standard switch type(B)
Valves ON/OFF is conducted by switch circuit with outputting active contact signal which can show a fully open or fully close state of the valves.
- ◆Passive contact type(S)
Valves ON/OFF is conducted by switch circuit with outputting passive contact signal which can show a fully open or fully close state of the valves.
- ◆Position signal type(K)
The opening Or closing operation is realized by switching "open" or "close" the circuit, outputting a relative group of open or close degree current signals.
- ◆Opening degree signal type(R)
The opening angle of valves is controlled by switch circuit, with potentiometer outputting resistance signal corresponding valves opening angle.
- ◆Modulating type(A)
Intelligent regulation and control are conducted by receiving the standard signal 4-20mA, DC, 0-10V, DC or 1-5V, DC outputted by the computers of instruments standard feedback signal 4-20mA, DC is also outputted.

选型配制表 Type selection table

因阀门种类繁多，同种规格型号的阀门，不同的生产厂家，不同的使用环境，阀门实际工作扭矩各不相同。因此，在选择电动执行器型号时，应当以执行器额定输出的力矩的60%~80%为阀门的工作扭矩。

The torque is different in actual working, due to valve series is variety, and same model valve from different manufacturer and the using circumstances is different. So you should choose the 60%~80% actuator torque as valve torque.



可配置阀门的规格 Selection table

产品型号 Model	输出力矩 Output torque	动作时间(0-90°) Action time	电源 Power	软密封蝶阀	硬密封蝶阀	球阀 Ball valve	通风蝶阀	
				Soft seal butterfly valve	Hard seal butterfly valve		Aeration butterfly valve	
DJ-ZX	6N·M	7S	AC85-260V, 50/60Hz; DC24V, DC12V	DN65	≤ PN1.6MPa	≤ DN20	≤ PN0.1MPa	
DJ-5	15N·M	10S		DN25	≤ DN32	DN50-DN80		
	30N·M	20S		DN80-DN125	DN40-DN65	DN40-DN50	DN100-DN200	
50N·M	30S							
DJ-10	50N·M	13S						
	60N·M	15S						
	100N·M	20S						
DJ-20	80N·M	9S		AC24V, 110V, 220-240V, 380-420V; 50/60Hz; DC24V	DN150-DN200	DN80-DN125	DN65-DN80	DN250-DN300
	100N·M	15S						
	150N·M	20S						
	200N·M	30S						
DJ-50	200N·M	60S	DN250	DN150-DN200	DN100-DN125	DN350-DN500		
	150N·M	9S						
	250N·M	15S						
	300N·M	20S						
DJ-100	500N·M	30S	DN300-DN350	DN250	DN150-DN200	DN600-DN800		
	800N·M	30S						
	1000N·M	50S						
DJ-200	2000N·M	100S	DN400-DN500	DN300-DN400	DN250-DN300	DN800-DN1000		



电动执行器

Electric actuator

电动执行器线路图Wiring Of Electric Actuator

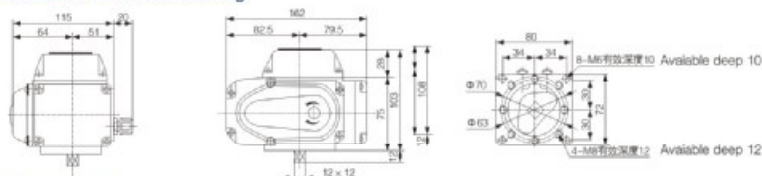
线框内为电动装置内部接线，右边部分仅供用户配线参考。不能将二台或数台电动装置的动力线并联；不能用同一接点上去控制二台或数台电动装置，否则会造成失控和电机过热。

The inside of Frame is electric actuator's inner wiring, right part for customer reference please don't connect the power lines of two or several electric devices in parallel; Don't control two or several electric devices with the same connect point, or else it will cause out of control and overheat of motor.

电动执行安装尺寸图Assembly Drawing Of Electric Actuator

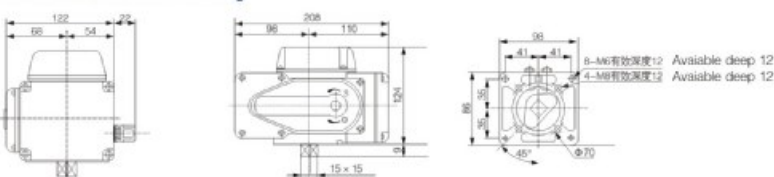
HL-05系列外型尺寸

HL-05 series Dimension drawing



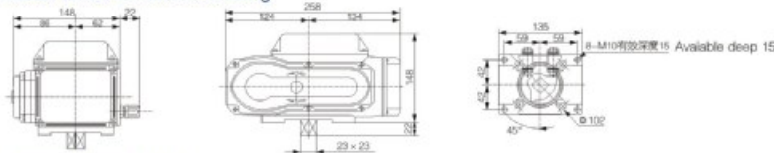
HL-10系列外型尺寸

HL-10 series Dimension drawing



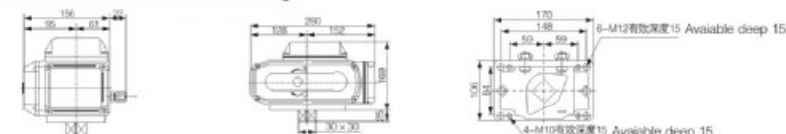
HL-25/50系列外型尺寸

HL-25/50 series Dimension drawing



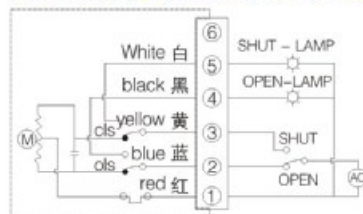
HL-100/200系列外型尺寸

HL-100/200 series Dimension drawing



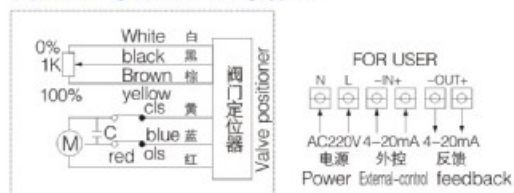
B型：开关型(标准型)线路图

(B): Switch type (standard) line drawing:



A型：调节型线路图

(A): Drawing of modulating type:



电动执行器选型表selection table

执行器型号 Model	电机功率 Motor power	额定电流 Rated current					输出力矩/动作时间(S) Output torque/Operation time(S)		
		DC24V	AC24V	AC24V	AC220-240V	AC380-420V	DC 24V	AC24V AC110V AC220-240V AC380-420V	
DJ-5	10W	2A	2.2A	0.48A	0.24A	0.15A	30Nm/6S 50SNm/10	15Nm/10S, 30Nm/20S, 50Nm/30S	
DJ-10	23W	2.4A	3A	0.64A	0.32A	0.19A	100Nm/10S	50Nm/15S, 60Nm/20S, 100Nm/30S	
DJ-20	40W	8.5A	5A	0.9A	0.48A	0.25A	200Nm/20S	100Nm/15S, 150Nm/20S, 200Nm/30S	
DJ-50	90W	8.5A		2A	0.92A	0.45A	150Nm/250Nm/300Nm/500Nm, 15S/20S/30S/60S		
DJ-100	100W		9A	2.2A	1A	0.48A	800Nm/1000Nm, 30S/50S		
DJ-200	100W		9A	2.2A	1.2A	0.48A	2000Nm, 100S		

说明：以上参数、功率、额定电流、动作时间和扭矩适用于型号：B型(开关型)，S型(无源触点型)，R型(开度信号型)，A型(智能调节型)，K型(带位置信号型)
Note: Above datas is only for B switch type, S passive contact line drawing, R opens degree signal type, K position signal type, A modulating type.

调节阀

Regulating valve



应用

调节阀是气动比例阀，流量控制设计装置的乳品和食品加工行业，饮料生产，制药和精细化工产业。最重要的应用是压力控制，流量控制，液位等。

Applications

Regulating valve is a pneumatic proportional valve, is a equipment to control the flow, widely used to the dairy, food, beverage, pharmacy and chemical industry. Most important application is the pressure control, flow control, level, etc.

工作原理Working principle

气动调节阀是锥形阀芯位置，通过定位器控制实现流量调节的阀门(PD)也可采用智能过程控制器实现自我调整位置和流量(PID)功能。

The position of valve tapered plug is adjusted by position. So as to control flow rate through the valve(PD). Also intelligent process controller can control position and flow rate(PID).



调节阀

Regulating valve

设计和功能 Design and function

- ◆根据3A卫生设计
- ◆常闭阀(标准版)
- ◆等百分比调节轴
- ◆360度可调的阀体
- ◆紧凑的设计
- ◆According to the 3A sanitary design
- ◆Normally closed (standard)
- ◆With equal percentage adjusting shaft
- ◆360 degree adjustable body
- ◆The compact design

技术特点

- ◆介质接触部位316L/1.4404
- ◆其他部件301/1.4301
- ◆密封圈EPDM/FDA177.2600
- ◆内部表面: Ra0.6 μm
- ◆夹套保温阀体(选项)
- ◆轴杀菌/清洗(选项)
- ◆更高压力执行器(选项)
- ◆密封圈NBR/FPM(选项)
- ◆接口标准: DIN/SMS/RJT/IDF/ISO等

技术规格 Technical specifications

- ◆尺寸DN25-DN100 1"-4"
- ◆工作温度-10°C至+120°C(EPDM), 14° F 到248°C+140° F(SIP最大30分钟)284° F最大。
- ◆工作压力10bar 145PSI
- ◆压缩空气6-8bar/87-116PSI
- ◆气动执行器连接G1/8"(BSP)
- ◆电压24V DC
- ◆过程信号4...20 mA 0...10V (optional)
- ◆Size DN25-DN100 1"-4"
- ◆Working temperature-10°C to +120°C(EPDM) 14° F to 248° F+140°C(SIP, max, 30min)284° F
- ◆Working pressure: 10bar 145 PSI
- ◆Compressed air pressure 6-8 bar, 87-116PSI
- ◆Air connection G1/8"(BSP)
- ◆24 V DC voltage
- ◆process signal 4...20 mA 0...10V (optional)

双功能定位 Double function orientation

- ◆PD: 位置控制器
- ◆PID: 过程控制器
- ◆装配/拆卸松开卡箍即可
- ◆标准连接方式: 焊接/卡箍/螺纹
- ◆PD: position controller
- ◆PID: process controller
- ◆Assembly/disassembly just to loose the clamp
- ◆Standard connection: Weld, Clamp, Thread

Technical and features

- ◆Parts in contact with the product: AISI316L/1.4404
- ◆Other parts in stainless steel AISI304/1.4301
- ◆Gaskets: EPDM according to FDA177.2600
- ◆Internal surface finish: Ra≤0.6 μm
- ◆The body with heat jacket(option)
- ◆Shaft sterilization/cleaning(option)
- ◆Actuator with higher pressure(option)
- ◆Gasket: NBR/FPM(option)
- ◆Connection: DIN/SMS/RJT/IDF/ISO.....





夹套保温式调节阀 Heat insulation type regulating valve

设计了保温夹套，通过蒸汽循环达到保温的目的。
Heat jacket design through steam cycle to achieve the purpose of heat keeping.



隔膜式无菌调节阀 Diaphragm-aseptic regulating valve

- ◆该阀门具有标准调节阀的技术特点
- ◆一个PTFE隔膜隔离了阀门内部与外部
- ◆一个泄漏仓可提供隔膜损坏的检测
- ◆This valve has the technique characteristics as same as Divert Seat Valve.
- ◆A PTFE diaphragm insulates valve from the inside and outside
- ◆Diaphragm's damage can be viewed through leakage bin.



无滞留调节阀 Non-retention regulating valve

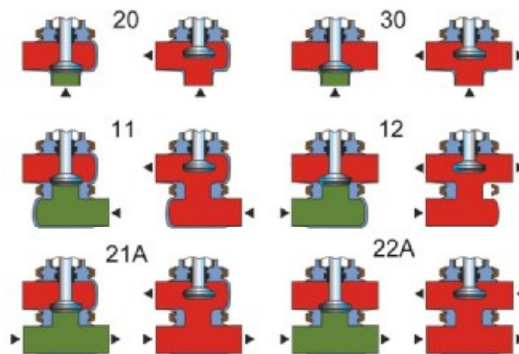
该阀门具体三通和四通连接方式
下阀体用作管路连接，上阀体用作出口(选择1个或2个出口)
由于下阀体用作管路因此不会产出任何死角和滞留。



无菌调节阀 Aseptic Regulating valve

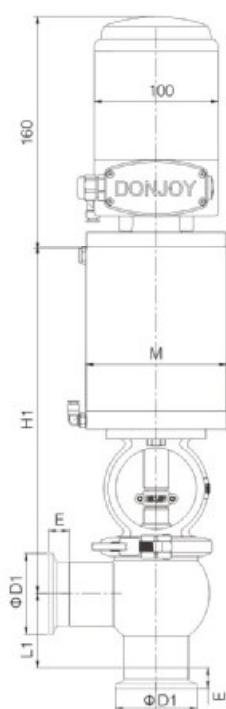
- ◆该阀门具有标准调节阀的功能
- ◆一个可经液体清洗或蒸气消毒的轴的配置保证了阀杆的被彻底清洗。
- ◆It has the standard function of regulating valve.
- ◆The shaft by liquid cleaned or steam barriered can ensure the valve stem cleaned completely.

调节阀 Regulating valve

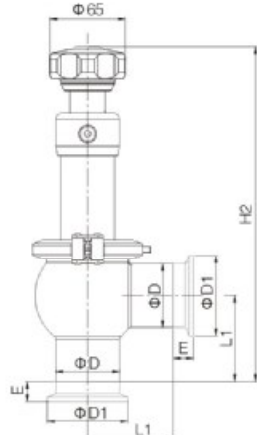


气量消耗(L/循环次)
Air consumption (L/One cycle)

SIZE ΦD1	弹簧/气 Spring/air	气/气 air/air
88	0.12	0.24
113	0.21	0.42
132	0.45	0.90
180	1.00	2.00



NO.VTJ111Q1



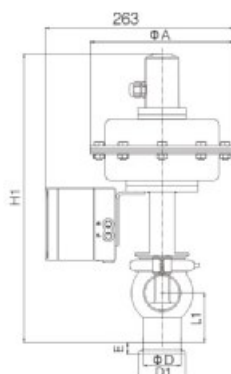
NO.VTJ110S2

DIN气动截止调节阀

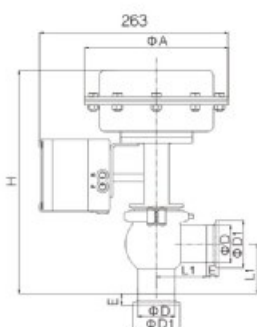
SIZE	H1	H2	H3	D	D1	L1	L2	M		E	Weight (kg)
								6bar	10bar		
DN25				28		50				12.7	5
DN32	298	236	180	34	50.5	55	86	88	113	12.7	5
DN40				40		60				12.7	5
DN50	359	258	210	52	64	70	86	113	132	12.7	7
DN65	405	300	245	70	91	99	86	132	180	12.7	13
DN80	405	300	245	85	106	99	86	132	180	12.7	13
DN100	484	330	280	104	119	114	86	180		15.8	15

INCH气动截止调节阀

SIZE	H1	H2	H3	D	D1	L1	L2	M		E	Weight (kg)
								6bar	10bar		
1"				25.4		50				12.7	5
1.25"	298	236	180	31.8	50.5	55	86	88	113	12.7	5
1.5"				38.1		60				12.7	5
2"	359	258	210	50.8	64	70	86	113	132	12.7	7
2.5"	376	270	224	63.5	77.5	80	86	132	180	12.7	13
3"	405	300	245	76.2	91	99	86	132	180	12.7	13
4"	484	330	280	101.6	119	114	86	180		15.8	15



NO.VHX612Q1



NO.VTJ214Q1

薄膜气动截止调节阀

SIZE	D	D1	L1	A	E	H	H1
1"	25.4		50	200	12.7	283	375
1.25"	31.8	50.5	55				
1.5"	38.1		60				
2"	50.8	64	70				
2.5"	63.5	77.5	80	286	12.7	310	401
3"	76.2	91	99		12.7	320	411
4"	101.6	119	114		12.7	391	507
					15.8	443	560

阀门流量系数 Flow rate factor (Kv)

可以通过下面的公式和流量系数值来选择适合您应用的调节阀。
适用于比重等于1.0的水和其他产品的计算公式：

Refer to the following formula and flow coefficient value to choose the suitable regulating valve for specific gravity is 1.0 water and other products :

$$Kv = \frac{Q}{\sqrt{\Delta P}}$$

适用于比重不等于1.0的产品的计算公式：
For specific gravity is not 1.0 products :

$$Kv = \frac{Q}{\sqrt{\Delta P/SG}}$$

如何利用数据选择阀门尺寸

How to use the datas sheet to choose the valve size

计算出某特定应用的Kv因数后，选择最接近50%的曲线。

To calculate the specific application of Kv factor, select the most close to 50% of the curve.

如何利用数据选择阀门尺寸

计算出某特定应用的 Kv 因数后，在查找该因数。选择最接近 50% 行程的曲线。

How to use the datas sheet to choose the valve size

To calculate the specific application of Kv factor, in the next page to find the factor. Select the most close to 50% stroke curve.

Kv计算举例：

Kv calculation example:

确定适用于60m³/小时水流量的阀门尺寸。
Valve size suit for the water flow 60m³/h

进口压力 3bar Inlet pressure 3 bar
出口压力 1.5bar Outlet pressure 1.5 bar

解答：进口压力(A)减去出口的压力(B)：

Answer: inlet pressure (A), minus the outlet pressure (B) :

$$\Delta P = 3 \text{ bar} - 1.5 \text{ bar} = 1.5 \text{ bar}$$

$$Kv = \frac{60}{\sqrt{1.5}} = 49$$

其中

Among them

Q=产品流量(单位m³/小时)

SG=产品比重

DR=阀门的压降(单位bar)

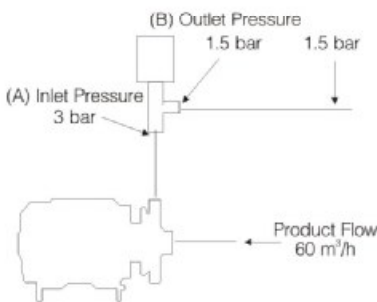
(进口压力与出口压力的差值)

Q = product flow rate(m³ / h)

SG = product proportion

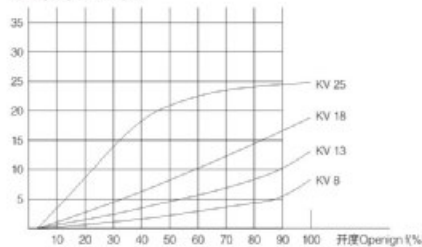
DR= valve pressure drop (bar)

(The different pressure of inlet and outlet)



调节阀1"和1.5"流量/选择(开度f)图表
Regulating valve 1", 1.5" low/choose (opening f) diagram

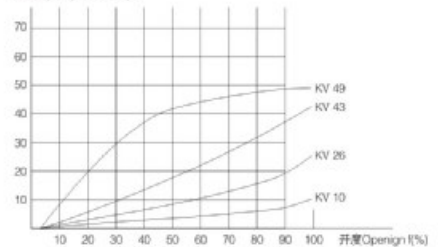
流量Q(M³/h) Q=Kv * √ΔP



注意：上面适用于，介质：水(20°C) 测量：按照VDI 2173
Attention: above diagram suit for the mediumwater (20°C), measuring: according VDI 2173

调节阀2"流量/选择(开度f)图表
Regulating valve 2" low/choose (opening f) diagram

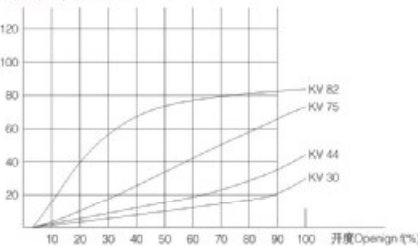
流量Q(M³/h) Q=Kv * √ΔP



注意：上面适用于，介质：水(20°C) 测量：按照VDI 2173
Attention: above diagram suit for the mediumwater (20°C), measuring: according VDI 2173

调节阀2.5"流量/选择(开度f)图表
Regulating valve 2.5" low/choose (opening f) diagram

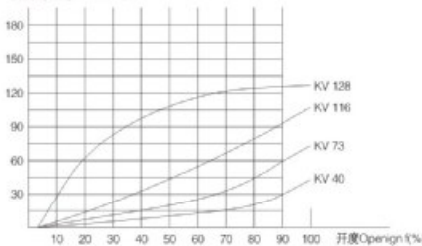
流量Q(M³/h) Q=Kv * √ΔP



注意：上面适用于，介质：水(20°C) 测量：按照VDI 2173
Attention: above diagram suit for the mediumwater (20°C), measuring: according VDI 2173

调节阀3"流量/选择(开度f)图表
Regulating valve 3" low/choose (opening f) diagram

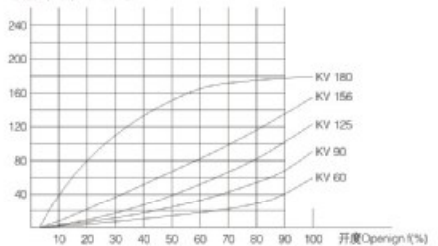
流量Q(M³/h) Q=Kv * √ΔP



注意：上面适用于，介质：水(20°C) 测量：按照VDI 2173
Attention: above diagram suit for the mediumwater (20°C), measuring: according VDI 2173

调节阀4"流量/选择(开度f)图表
Regulating valve 4" low/choose (opening f) diagram

流量Q(M³/h) Q=Kv * √ΔP



注意：上面适用于，介质：水(20°C) 测量：按照VDI 2173
Attention: above diagram suit for the mediumwater (20°C), measuring: according VDI 2173



截止式调节阀 Regulating valve

一款具有高洁净
截止调节阀



应用Applications

截止式调节阀主要应用在流量调节控制阀。

该阀门与介质接触的部位只有不锈钢和PTFE，最高温度达180℃，耐压最高达20bar，也可真空环境下使用。阀体根据无死角设计，表面粗糙度可达Ra0.4 μm，阀芯密封采用嵌入式设计，因此使用非常的广泛几乎可以涵盖了所有的行业，如制药、食品与饮料、酿酒、化工等工业领域。

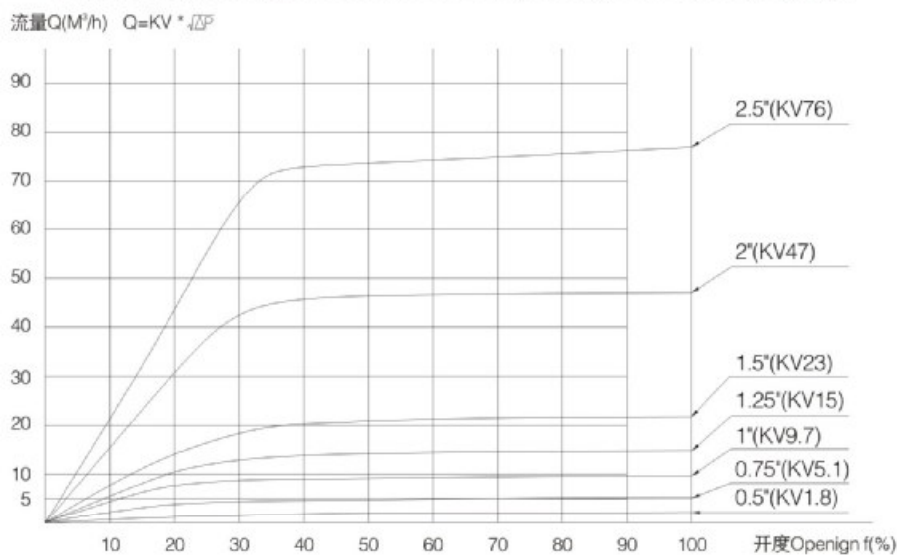
Deadline regulating valve mainly used in fluid control, flow regulation system.

The regulating valve parts in contact with the media only stainless steel and PTFE materials, maximum temperature 180 °C, the surface roughness Ra0.4 μm, spool embedded seal design, the use of a very wide range can cover most of the industries, such as food and beverage , brewing, chemical and other industries.

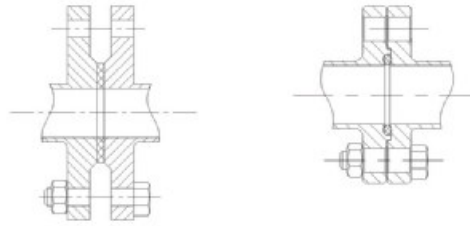
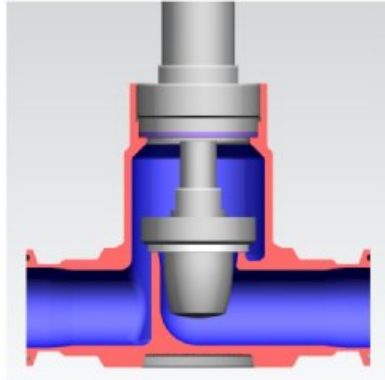
技术规格Technical specifications

- ◆ SIZE: 1"-4", DN25-DN100
- ◆ 材质: 304/316L
- ◆ 压力: 10bar(基本型), 20bar(选项)
- ◆ 温度: 150℃(基本型), 180℃(选项)
- ◆ 内表面粗糙度: Ra0.4 μm(选项)
- ◆ 连接方式: 焊接、卡箍、螺纹、法兰等标准
- ◆ SIZE: 1"-4", DN25-DN100
- ◆ Material: 304/316L
- ◆ Pressure: 10bar (standard) 20bar (option)
- ◆ Temperature: 150 °C (standard) 180 °C (option)
- ◆ The inner surface roughness: Ra0.4 μm
- ◆ Connection: welding, clamps, threaded, flange and other standards

截止调节阀 流量/选择/开度% KV值曲线图
Deadline regulating valve flow / select / open degree% KV value graph

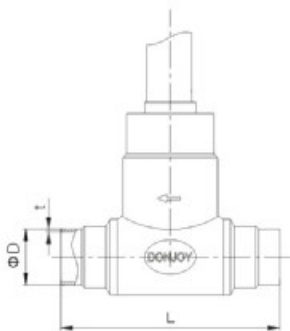
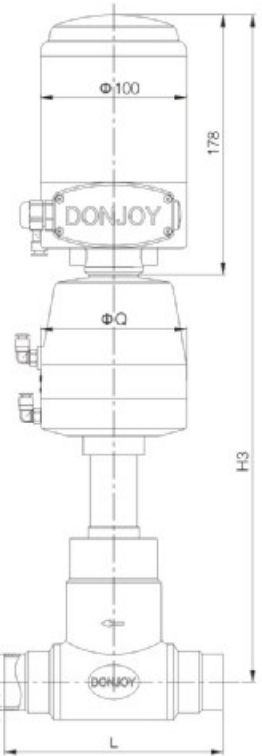


注意: 上面图表适用于, 介质: 水(20℃)
Attention: above diagram suit for the medium: water (20℃)

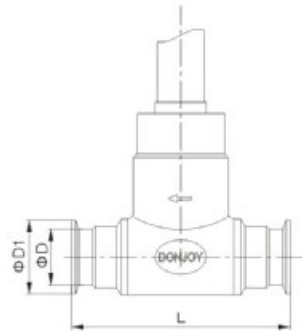


普通法兰-PN10Kg 无菌法兰(可选)DIN11864-2-A
Ordinary flange-PN10Kg Aseptic flange DIN11864-2-A

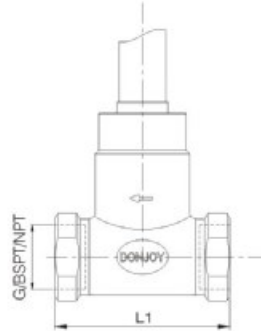
注意：法兰有基本型和无菌法兰两种选型，订购时请说明！
Note: The flange has two basic and aseptic flange selections, please specify when ordering!



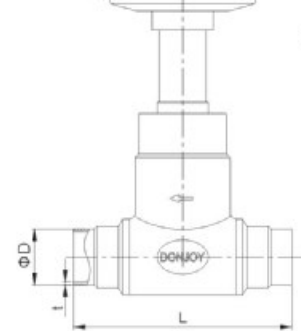
焊接



卡箍



内螺纹



NO.VJ223Q2

DIN

SIZE	t/mm	D	D1	Q	L	H3	L1	G	BSPT	NPT
DN25	1.5	28/29	50.5	100	130	439	100	G1"	BSPT1"	NPT1"
DN32	1.5	34/35	50.5	100	140	459	120	G1.25"	BSPT1.25"	NPT1.25"
DN40	1.5	40/41	50.5	100	150	459	130	G1.5"	BSPT1.5"	NPT1.5"
DN50	1.5	52/53	64	135	175	524	160	G2"	BSPT2"	NPT2"
DN65	2.0	70	91	135	210	554	185	G2.5"	BSPT2.5"	NPT2.5"

注：以上参数可适用于不锈钢手轮和不锈钢气动执行器。如需法兰连接请参照法兰式截止阀，如您需要更大的规格请联系东正！

Note: The above parameters for stainless steel hand wheel and pneumatic actuators, such as the globe valve flange connection, please consult catalogs, if you need a larger size data, please contact DONJOY!

INCH

SIZE	t/mm	D	D1	Q	L	H3	L1	G	BSPT	NPT
1"	1.5/1.65	25.4	50.5	100	130	439	100	G1"	BSPT1"	NPT1"
1.25"	1.5/1.65	31.8	50.5	100	140	459	120	G1.25"	BSPT1.25"	NPT1.25"
1.5"	1.5/1.65	38.1	50.5	100	150	459	130	G1.5"	BSPT1.5"	NPT1.5"
2"	1.5/1.65	50.8	64	135	175	524	160	G2"	BSPT2"	NPT2"
2.5"	1.65/2.0	63.5	77.5	135	210	550	185	G2.5"	BSPT2.5"	NPT2.5"
3"	1.65/2.0	76.2	91	135	210	554	210	G3"	BSPT3"	NPT3"

注：以上参数可适用于不锈钢手轮和不锈钢气动执行器。如需法兰连接请参照法兰式截止阀，如您需要更大的规格请联系东正！

Note: The above parameters for stainless steel hand wheel and pneumatic actuators, such as the globe valve flange connection, please consult catalogs, if you need a larger size data, please contact DONJOY!



角座式调节阀

Angle Seat regulating valve

高洁净
角座式调节阀



应用Applications

角座式调节阀主要应用在流量调节控制阀。

该阀门与介质接触的部位只有不锈钢和PTFE，最高温度达180℃，耐压最高达20bar，也可真空环境下使用。阀体根据无死角设计，表面粗糙度可达Ra0.4 μm，阀芯密封采用嵌入式设计，因此使用非常的广泛几乎可以涵盖了所有的行业，如制药、食品与饮料、酿酒、化工等工业领域。

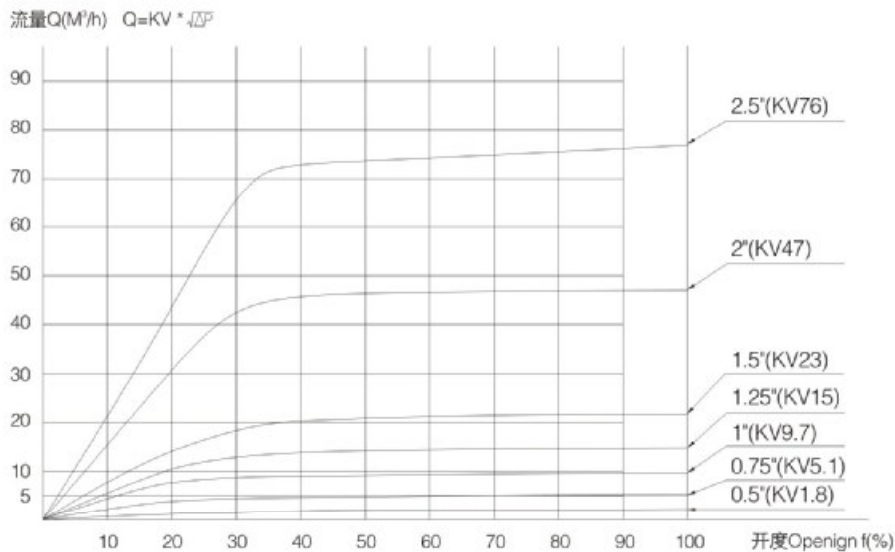
Angle Seat regulating valve is mainly used in fluid control, flow regulation system.

The regulating valve parts in contact with the media only stainless steel and PTFE materials, maximum temperature 180 °C, the surface roughness Ra0.4 μm, spool embedded seal design, the use of a very wide range can cover most of the industries, such as food and beverage , brewing, chemical and other industries.

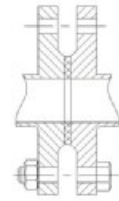
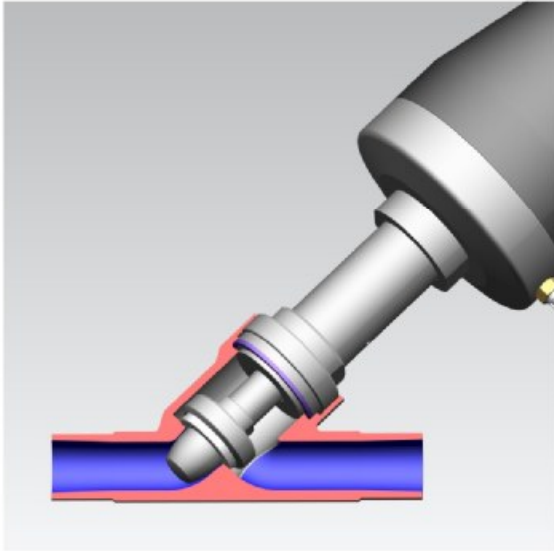
技术规格Technical specifications

- ◆ SIZE: 1"-4", DN25-DN100
 - ◆ 材质: 304/316L
 - ◆ 压力: 10bar(基本型), 20bar(选项)
 - ◆ 温度: 150℃(基本型), 180℃(选项)
 - ◆ 内表面粗糙度: Ra0.4 μm(选项)
 - ◆ 连接方式: 焊接、卡箍、螺纹、法兰等标准
- ◆ SIZE: 1"-4", DN25-DN100
 - ◆ Material: 304 / 316L
 - ◆ Pressure: 10bar (standard) 20bar (option)
 - ◆ Temperature: 150 °C (standard) 180 °C (option)
 - ◆ The inner surface roughness: Ra0.4 μm
 - ◆ Connection: welding, clamps, threaded, flange and other standards

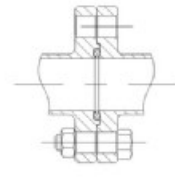
角座式调节阀流量/选择(开度f)图表



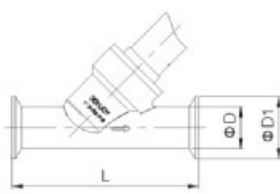
注意: 上面图表适用于, 介质: 水(20℃)
Attention: above diagram suit for the medium: water (20℃)



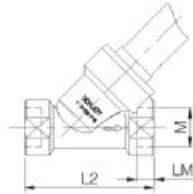
普通法兰-PN10Kg



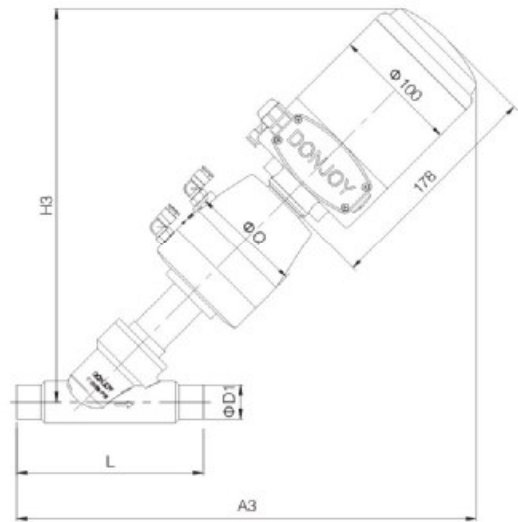
无菌法兰(可选)
DIN11864-2-A



卡箍



内螺纹



气动角座阀+带定位器
NO.VJZ103Q2

SIZE	t/mm	D	D1	L	L2	M BSPT/NPT	Q	A3	H3
0.5"	1.5/1.65	12.7	25.4	145	95	0.5"	70	360	325
0.75"	1.5/1.65	19.1	25.4	145	95	0.75"	70	360	325
1"	1.5/1.65	25.4	50.5	152	105	1"	100	370	330
1.25"	1.5/1.65	31.8	50.5	182	120	1.25"	100	380	343
1.5"	1.5/1.65	38.1	50.5	182	130	1.5"	100	385	343
	1.5/1.65	38.1	50.5	182	130	1.5"	135*	420	378
2"	1.5/1.65	50.8	64	210	155	2"	135	450	398
2.5"	1.65/2.0	63.5	77.5	210	255	2.5"	135	496	418
3"	1.65/2.0	76.2	91	210	255	3"	135	496	418

SIZE	t/mm	D	D1	L	L2	M BSPT/NPT	Q	A3	H3
DN10	1.5	13	34	145	95	0.5"	70	360	325
DN15	1.5	18/19	34	145	95	0.75"	70	360	325
DN25	1.5	28/29	50.5	152	105	1"	100	370	330
DN32	1.5	34/35	50.5	182	120	1.25"	100	380	343
DN40	1.5	40/41	50.5	182	130	1.5"	100	385	343
	1.5	40/41	50.5	182	130	1.5"	135*	420	378
DN50	1.5	52/53	64	210	155	2"	135	450	398
DN65	2.0	70	91	210	255	2.5"	135	496	418

注：*为选项可满足10bar压力。以上参数可适用于不锈钢手轮和不锈钢气动执行器。如需法兰连接请参照法兰式角座阀，如您需要更大的规格请联系东正！



调节式球阀

Flow regulator type ball valve



应用Applications

调节式球阀，有多种结构，如三通、直通、蝶式等设计，它们都具有无死角设计，都可以应用在高洁净要求环境工作。如制药、食品饮料、酿酒、化工等领域。

该球阀工作温度可达180°C，压力可达10bar，内表面粗糙度大Ra0.4 μm，满足3A标准和ASME BPE高洁净要求。

Flow regulator type ball valve, a variety of structures, such as three, straight, butterfly ball valve design, they have no dead angle, can be applied to work in the high requirements of clean environment. Such as pharmaceutical, food processing, wine, Chemical industry etc..

The ball valve working temperature of 180 DEG C, the pressure can be big 10bar
The inner surface of Ra0.4 m, 3A and ASME BPE to meet the design requirements of high clean.

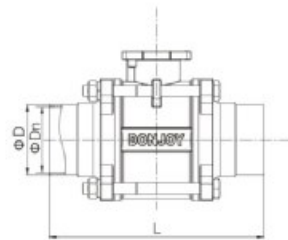
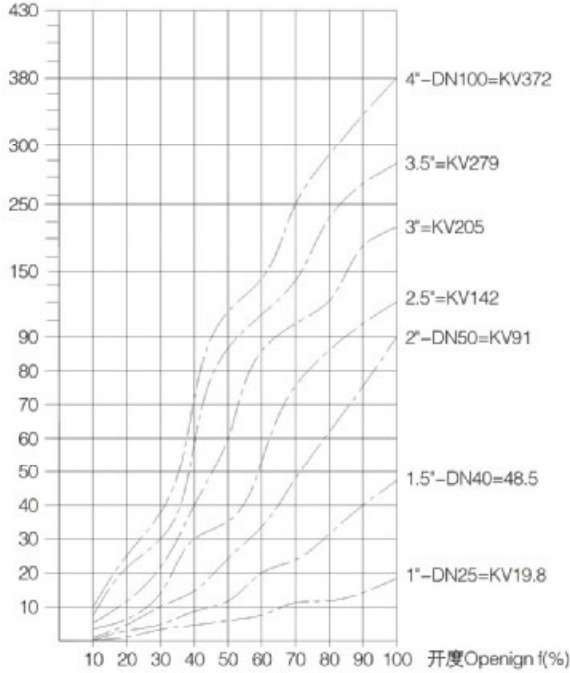
技术规格Technical specifications

- ◆ SIZE: 1"-4", DN25-DN100
- ◆ 材质: 304/316L
- ◆ 压力: 10bar(基本型), 20bar(选项)
- ◆ 温度: 150°C(基本型), 180°C(选项)
- ◆ 内表面粗糙度: Ra0.4 μm(选项)
- ◆ 连接方式: 焊接、卡箍、螺纹、法兰等标准
- ◆ SIZE: 1"-4", DN25-DN100
- ◆ Material: 304 / 316L
- ◆ Pressure: 10bar (standard) 20bar (option)
- ◆ Temperature: 150 °C (standard) 180 °C (option)
- ◆ The inner surface roughness: Ra0.4 μm
- ◆ Connection: welding, clamps, threaded, flange and other standards



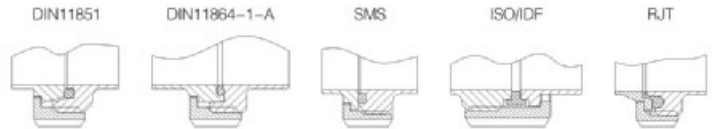
球阀流量/选择(开度f)图表

流量Q(M³/h) Q=KV * f

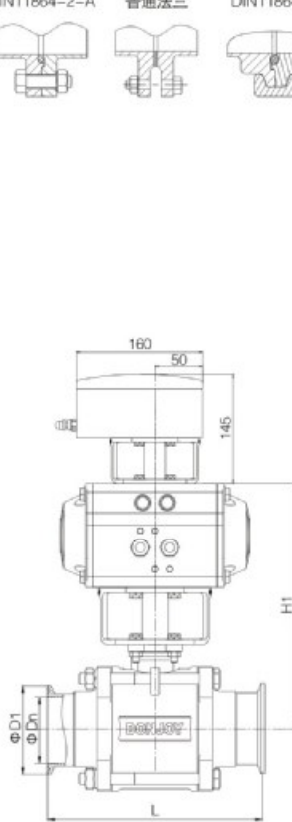
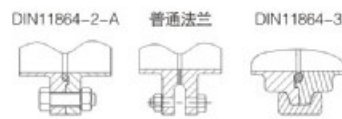


NO.VQW100XX

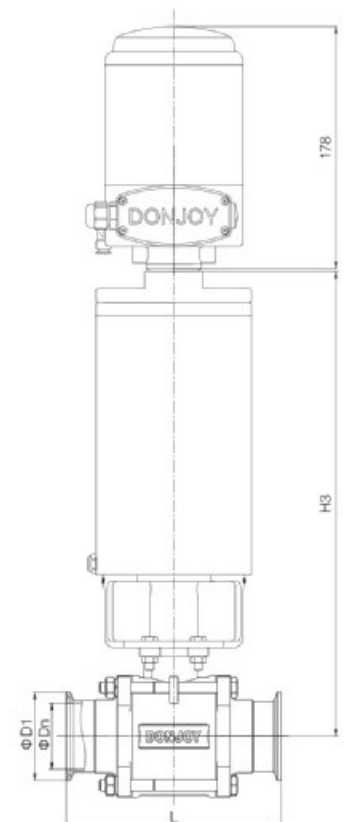
各种螺纹接口标准 Various thread interface



各种法兰连接标准 All kinds of flange interface



铝制气动执行器+方形定位器
NO.VQW114Q2



不锈钢气动执行器+定位器
NO.VQW113Q1

INCH

SIZE	ISO5211	φDn	φD	φD1	L	H1	H3
0.5"	F04	9.7	12.7	25.4	89	175.5	226
0.75"	F04	16.1	19.1	25.4	89	175.5	226
1"	F04	22.4	25.4	50.5	114	179	230
1.25"	F04	28.8	31.8	50.5	117	198	235
1.5"	F05	35.1	38.1	50.5	142	206	243
2"	F05	47.8	50.8	64	156	237	315
2.5"	F07	59.5	63.5	77.5	197	257	332
3"	F07	72.2	76.2	91	221	274	380
3.5"	F07	85	89	106	229	291	386
4"	F10	97.6	101.6	119	241	308	423

DIN

SIZE	ISO5211	φDn	φD	φD1	L	H1	H3
DN10	F04	9	12	34	89	175.5	226
DN15	F04	15	18	34	89	175.5	226
DN20	F04	19	22	34	89	175.5	226
DN25	F04	25	28	50.5	114	179	230
DN32	F04	31	34	50.5	117	198	235
DN40	F05	37	40	50.5	142	206	243
DN50	F05	49	52	64	156	237	315
DN65	F07	66	70	91	207	269	338
DN80	F07	81	85	106	229	291	386
DN100	F10	100	104	119	241	308	423



调节式蝶阀

Regulating butterfly valve



应用Applications

调节式气动蝶阀，可以应用各种流量控制系统中，如食品饮料、酿酒、制药等工业领域，该阀门具有无死角，流量大的特点，维护非常的简单，外观体积较小。

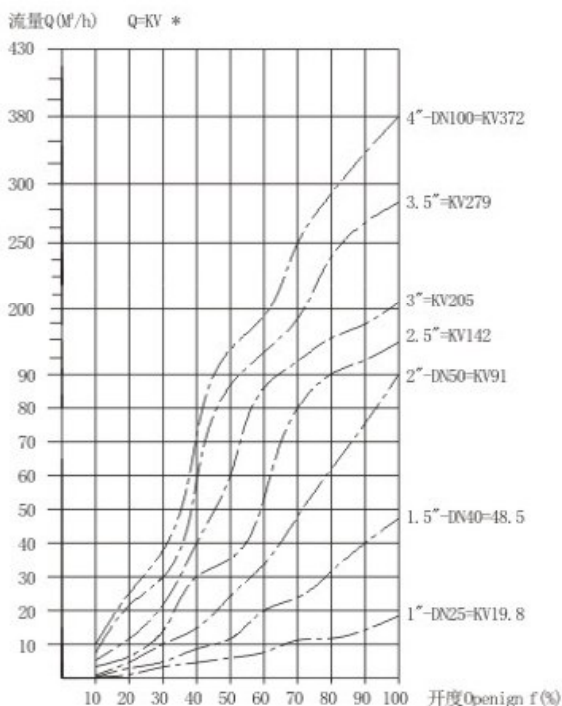
Regulating butterfly valve, can be applied to a variety of flow control system, such as food and beverage, brewing, pharmaceutical and other industrial fields, the valve has the characteristics of no dead angle, flow and so on, maintenance is very simple, the appearance of small volume.

技术规格Technical specifications

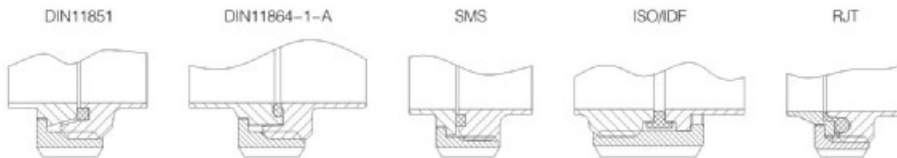
- ◆ SIZE: 1"-4", DN25-DN100
- ◆ 材质: 304/316L
- ◆ 压力: 10bar
- ◆ 温度: 130℃
- ◆ 内表面粗糙度: Ra0.4 μm(选项)
- ◆ 连接方式: 焊接、卡箍、螺纹、法兰等标准

- ◆ SIZE: 1"-4", DN25-DN100
- ◆ Material: 304 / 316L
- ◆ Pressure: 10bar
- ◆ Temperature: 130 °C
- ◆ The inner surface roughness: Ra0.4 μm
- ◆ Connection: welding, clamps, threaded, flange and other standards

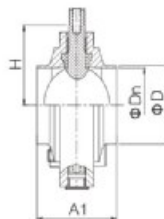
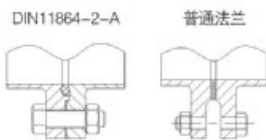
蝶阀流量KV值曲线图
Butterfly valve flow KV value curve



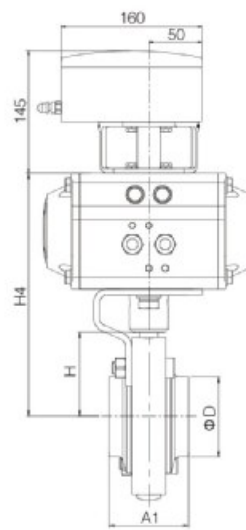
各种螺纹接口标准 Various thread interface



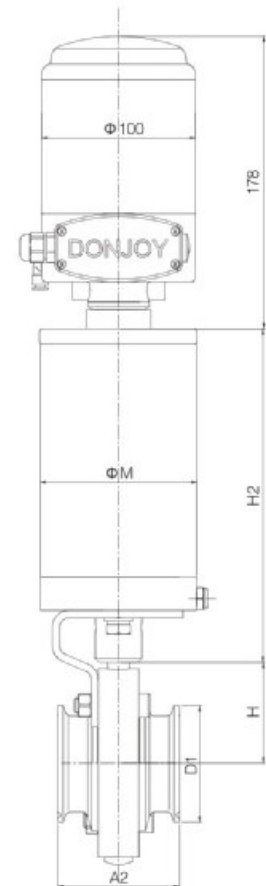
各种法兰连接标准 All kinds of flange interface



NO.VDF100XX



铝制气动执行器+方形定位器
NO.VDF104Q2



不锈钢气动执行器+定位器
NO.VDF103Q1

DIN

SIZE	Dn	D	D1	H	H1	H2	H4	M	A2	A1
DN25	25	28/29	50.5	40	43.5	172.5	124	86	66	50
DN32	31	34/35	50.5	44.5	43.5	172.5	124	86	66	50
DN40	37	40/41	50.5	46.5	43.5	172.5	124	86	70	50
DN50	49	52/53	64	54.5	47.5	172.5	124	86	76	52
DN65	66	70	91	64	47.5	172.5	138	86	80	56
DN80	81	85	106	70.5	50	172.5	138	86	84	56
DN100	100	104	119	81	50	172.5	150	86	104	64
DN125	125	129	144.5	94.5	52.5	248	196	113	122	80
DN150	150	154	167	110	52.5	285	196	133	146	90

INCH

SIZE	Dn	D	D1	H	H1	H2	H4	M	A2	A1
1"	22.4	25.4	50.5	40	43.5	172.5	124	86	66	50
1 1/4"	28.8	31.8	50.5	40	43.5	172.5	124	86	66	50
1 1/2"	35.1	38.1	50.5	44.5	43.5	172.5	124	86	70	50
2"	47.8	50.8	64	52.5	47.5	172.5	126	86	76	52
2 1/2"	59.5	63.5	77.5	59	47.5	172.5	138	86	80	63.5
3"	72.2	76.2	91	65.5	47.5	172.5	138	86	84	76.2
3.5"	85	88.9	106	72	50	172.5	138	86	86	88.9
4"	97.6	101.6	119	79	50	172.5	150	86	104	101.6
6"	146.8	146.8	167	110	52.5	285	196	133	146	152.4



隔膜式调节阀

Diaphragm regulating valve



应用Applications

隔膜式调节阀，主要应用在生物制药流体控制系统中。该阀门完全排空设计，无死角，与介质接触部位高纯度不锈钢和PTFE材料，因此非常适合高洁净要求的工艺管路系统中。该阀体结构具有多种形式组合(请查阅DONJOY隔膜阀资料)。

Diaphragm regulating valve, mainly in the bio pharmaceutical flow control system, the valve is completely self emptying design, no dead angle, parts of high purity stainless steel and PTFE material in contact with the medium, and therefore very suitable for high requirements of clean technology in pipeline system.

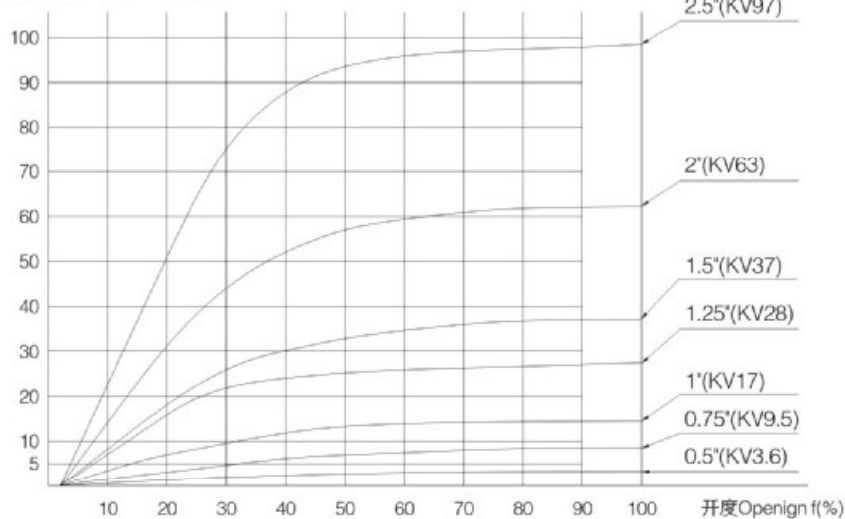
技术规格Technical specifications

- ◆ SIZE: 1"-4", DN25-DN100
- ◆ 材质: 304/316L
- ◆ 压力: 10bar
- ◆ 温度: 150°C
- ◆ 内表面粗糙度: Ra0.4 μm(选项)
- ◆ 连接方式: 焊接、卡箍、螺纹、法兰等标准

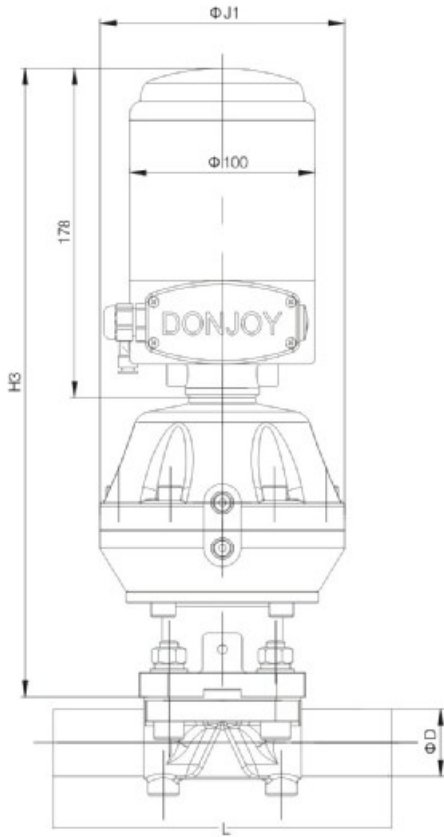
- ◆ SIZE: 1"-4", DN25-DN100
- ◆ Material: 304 / 316L
- ◆ Pressure: 10bar
- ◆ Temperature: 150 °C
- ◆ The inner surface roughness: Ra0.4 μm
- ◆ Connection: welding, clamps, threaded, flange and other standards

隔膜阀流量/选择(开度f)图表
Diaphragm regulating valve KV value curve flow

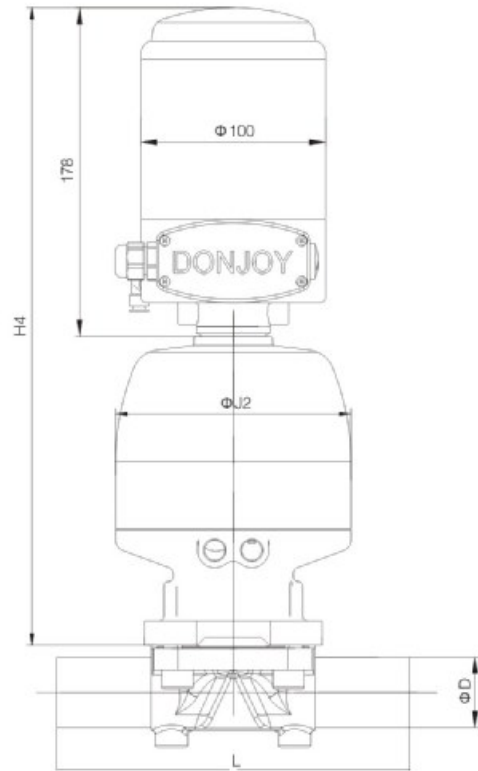
流量Q(M³/h) $Q=KV \cdot \sqrt{\Delta P}$



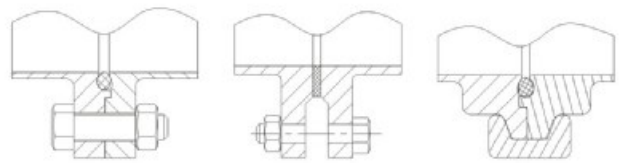
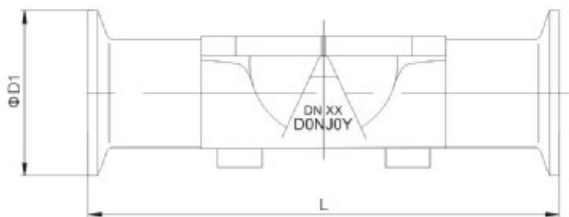
注意: 上面图表适用于, 介质: 水(20°C)
Attention: above diagram suit for the medium: water (20°C)



塑料气动隔膜阀+定位器
NO.VGZ103Q2



不锈钢气动隔膜阀+定位器
NO.VGZ103Q1



DIN11864-2

普通法兰

DIN11864-3

DIN32676/DIN11850-1/2

SIZE	D	J1	J2	L	H3	H4
DN20	22/23	132	108	145.4	331	331
DN25	28/29	132	108	145.4	331	331
DN32	34/35	162	137	178.4	370	370
DN40	40/41	162	137	178.4	370	370
DN50	52/53	162	137	198.4	381	381
DN65	70	162	162	216	379	379
DN80	85	162	162	216	379	379

ASME BPE/ASTM 269

SIZE	D	J1	J2	L	H3	H4
1"	25.4	132	108	145.4	331	331
1.25"	31.8	162	137	178.4	370	370
1.5"	38.1	162	137	178.4	370	370
2"	50.8	162	137	198.4	381	381
2.5"	63.5	162	162	216	379	379
3"	76.2	162	162	216	379	379





CHINA DONJOY TECHNOLOGY CO.,LTD.

DONJOY looking forward to your visit! Your telecommunications!



中国·东正
科技有限公司

地址:温州龙湾区空港新区港富路25号
总机: 0577-86990888
传真: 0577-86998000

Add : No.25 Gang fu Road,
kong gang new District,
Longwan Wenzhou,China
Tel: +86-577-86990888
Fax: +86-577-86998000
E-mail: donjoy@cndonjoy.com

www.cndonjoy.com

法律声明:

目录样册版本属东正所有, 如有抄袭东正将追究其法律责任和经济赔偿。
东正众多技术设计, 都具有专利保护, 如有抄袭, 东正必将追究法律责任和经济赔偿。