



国家高新技术企业 浙江省著名商标



*High purity pumps*

高洁净泵



东正一直致力于技术革新  
是您值得信赖的事业伙伴  
**Donjoy has been committed to  
technical innovation, is your trustworthy  
business partner!**

目录册技术资料仅供参考，  
东正保留更新和升级的权利，恕不另行通知！

Catalogue technical information only for reference.  
Donjoy reserves the rights to update and upgrade  
without prior notice.

**法律声明:**

目录样册版权归东正所有，  
如有抄袭，必将追究其法律责任和经济赔偿。  
东正已获得国家版权局书刊号。  
东正诸多产品技术，都具有专利保护，  
如有抄袭，必将追究法律责任和经济赔偿。

**Legal statement:**

Copyright of the catalogue belongs to Donjoy.  
If there is plagiarism, it will be investigated for legal  
responsibility and economic compensation.  
Donjoy has been granted publications number by  
Chinese National Copyright.  
Donjoy products and technology are with patent protection.  
If there is plagiarism, it will be investigated for legal  
responsibility and economic compensation.

# 温州空港新区总部生产基地 Wenzhou airport economic zone production base



占地面积约29000m<sup>2</sup>，总投资约1.2亿RMB，约2000万USD。

Covering an area of 29000 m<sup>2</sup>, with total investment after construction is expected to 120 million yuan, about 20 million USD.

# 领先源于创新 创新源于专业

## 东正的专业与品质的邂逅源于创新的精神

东正创立于1993年，注册资本6088万(约1000万USD)，是一家专注于高精度PID阀门定位器，阀门控制单元，阀门位置反馈器、智能自控阀、比例调节阀、过程控制阀、高洁净泵、均质混合泵、清洗技术、压力容器和管道安全控制技术、高洁净管材和管道配件，集研发、生产与销售为一体的国家高新技术企业。产品用途涉及行业和领域有生物制药、食品饮料、酿酒、精细化工等工业领域。东正领先的技术和持续创新解决方案，对满足全球，尤其是新兴市场不断增长生物制药和食品饮料行业的需求起到了积极作用。

东正制造的产品母材料、加工技术、焊接技术、表面处理等技术指标均已达到国际领先水平。且符合ASME BPE、EHEDG、FDA、3A等一系列国际标准和规范要求。先后通过了由德国 TÜV 机构实施的欧盟承压设备指令(PED-97/23/EC)和(MD-06/42/EC)认证；美国 3A机构实施的3-A卫生标准认证；中国安全阀特种制造设备(TS)许可证和中国质量认证中心CQC ISO9001:2015 质量管理体系认证等多项国际权威认证。

东正凭借领先的技术、优异的品质和完善的售后服务体系，公司荣获为《国家高新技术企业》，《浙江省著名商标》、《科技型企业》、《创新型企业》、《专利示范企业》、《研发中心企业》，《守合同重信用AAA企业》等众多荣誉称号。





## Leading from innovation, innovation from the professionalism! Donjoy's professionalism and quality come from the spirit of innovation!

Donjoy was founded in 1993, with registered capital RMB 60.88 million (about 10million USD) We focus on developing high-precision PID valve positioner, Valve Control unit, Valve Position feedback device, intelligent automatic control valve, proportional valve, process control valve, high purity pump, homogeneous mixing pump, cleaning technology, pressure vessel, pipeline safety control technology, high clean pipe fitting&pipeline accessories and integrating r&d, production and sales as an integrated national high-tech enterprises. Donjoy's products are widely used in bio-pharmaceutical, food and beverage, wine, fine chemical's and other industrial fields. Donjoy's leading technology and innovation solutions meets growing demand in the industry of bio-pharmaceutical, food and beverage from the whole world, special emerging market.

Raw material, processing technology, welding technology, surface treatment and other technology from Donjoy have achieved advanced level in international market. It also complies with a series of international standards and specifications such as ASME BPE, EHEDG, FDA and 3A , It has passed the EU Pressure Equipment Directive (PED-97/23/EC) and (MD-06/42/EC) issued by the German TÜV organization; the 3-A health standard certification issued by the 3A organization; China Safety Valve Special Manufacturing Equipment (TS) License , China Quality Certification Center (CQC) and Quality Management System Certification (ISO9001:2015) and many other international authoritative certifications.

With advanced technology, excellent quality and perfect after-sales service system, Donjoy was awarded as National High-tech Enterprise, Provincial Famous Trademark, Science and Technology Enterprise, Innovative Enterprise, Patent Demonstration Enterprise, R & D Center Enterprise, AAA Credit Enterprise and many other honorary.



全面的创新技术能力  
为您带来创造性的解决方案



## Comprehensive innovation technology, capabilities Bring you creative solutions

东正拥有诸多领先的产品技术，如各种比例调节阀、过程自控阀、生物制药隔膜阀、防混双座阀、压力容器和管道安全控制技术、清洗技术、高洁净转子泵、螺杆泵、离心泵、自吸泵、均质乳化泵、均质混合泵、卫生管件和无菌管件等.....

Donjoy owes many leading technology products, such as various proportioning regulating valve, process automatic control valve, pharmaceutical diaphragm valve, mixed double seat valve, pressure vessel and pipeline safety control technology, clean technology, high cleanliness rotor pump, screw pump, centrifugal pump, self-priming pump, homogeneous emulsion pump, homogeneous mixing pump, sanitary fittings, aseptic pipe fittings and so on.



企业的成功源于创新。东正的成功基于创始人“开拓创新、追求卓越”的创新精神，1994年东正开发了第一只高洁净的蝶阀，这只蝶阀是东正的起始点。

控制器的研发成就完美的过程自动控制，2004年东正成功研发了技术领先的阀门定位器、阀门控制单元。

高洁净泵的研发确保物料输送的洁净，2006年东正成功研发了高精度的转子泵、离心泵、混合泵、自吸泵。

我们一直走在行业与时代的前沿，把不断革新、日新月异的市场发展和客户需求作为自身最大的挑战。东正有自己的独立的思维和视野，始终保持领先致力于产品在新经济领域中的开发和应用。未来我们将一如既往的坚持以技术创新、以顾客为导向走向新的成功。



Success of an enterprise stems from innovation. Donjoy's success is based on the founder's innovative spirit of "pioneering innovation and pursuing excellence". In 1994, Donjoy developed the first highly purity butterfly valve, which was the starting point of Donjoy.

Research and development of the controller achieves perfect automatic process control. In 2004, Donjoy has successfully developed advanced valve positioner and valve control unit.

Research and development of high purity pump to ensure the purity of medium transportation. In 2006, Donjoy has successfully developed high precision lobe pump, centrifugal pump, mixing pump and self-priming pump.

We are always at the forefront of the industry and times, taking the continuous innovation of technology, rapid market development and customer demand as our biggest challenge. Donjoy has its own independent thought and horizons, and always maintains a leading position in the development and application of products in the new economic field. In future, we will continue to adhere to technological innovation and customer-oriented towards new success.



## 精益加工车间 Lean processing workshop



东正以科学技术领先为第一生产力，也是企业核心竞争力。只有不断投入核心技术研发和创新，不断追求卓越、精益求精、以先进生产设备，严格的质量管理体系，严谨的检测流程、保证每款产品的优良性能。

Donjoy takes leading in science and technology as the first productivity as well as the core competitiveness of the enterprise. With continuous investment in core technology research, development and innovation; constant pursuit of prominence and excellence; advanced production equipment; strict quality management system; and rigorous testing process, we ensure excellent quality and performance of every product.





机器人生产线 Robot production line

# 装配车间 Assembly workshop



# 荣誉与资质 Honor and qualification

	<p><b>3A</b></p> <p>东正是美国3A认证组织的成员。3A是一个自愿组织，致力于维护公共卫生和奶制品产品质量通过独特的行业监管程序的设备，用于处理乳制品的卫生标准3-A。</p> <p>Donjoy is a member of US 3A Certification Organization, 3A is a voluntary organization dedicated to maintaining the quality of public health and dairy products through a unique industry regulatory process for the treatment of dairy product hygiene standards 3-A.</p> <ul style="list-style-type: none"> <li>◆54-02 (Diaphragm-Type Valves)-NUMBER: 1580-隔膜阀</li> <li>◆02-11 (Centrifugal and Positive Rotary Pumps) NUMBER: 1579-高洁净泵</li> <li>◆85-03 (Double-Seal Mixproof Valves) NUMBER: 1797-双座防混阀</li> <li>◆64-03 (Pressure Reducing and Back Pressure Regulating Valves ) NUMBER: 1764-减压阀&amp;调节阀</li> <li>◆53-05 (Compression-Type Valves) -NUMBER: 1782-单座阀(单向阀)</li> <li>◆68-03 (Ball-Type Valves) NUMBER: 1785-球阀</li> <li>◆55-02 (Boot Seal-Type Valves) NUMBER: 1783-无菌取样阀</li> <li>◆04-02 (Personnel Access Ports for Wet Applications) NUMBER: 1786-人孔。</li> <li>◆63-03 (Sanitary Fittings) NUMBER: 1581-卫生管件</li> </ul>
	<p><b>PED/97/23/EC&amp;MD/06/42/EC</b></p> <p>由德国TÜV机构实施的欧盟承压设备安全指令 (PED-97/23/EC)，机械安全指令MD-06/42/EC。</p> <p>EU Pressure Equipment Safety Directive (PED-97/23/EC), Machinery Safety Directive MD-06/42/EC, implemented by TÜV, Germany.</p> <ul style="list-style-type: none"> <li>◆MD/06/42/EC NUMBER: 705201402401-00 - LOBE PUMP转子泵 ◆MD/06/42/EC NUMBER: 705201616101-00 - Centrifugal pump 离心泵</li> <li>◆PED/97/23/EC NUMBER: DGR - 0036-QS-1153-14-Valves 阀门系列</li> </ul>
	<p><b>安全阀特种制造许可证(TS) Safety valve special manufacturing license</b></p> <p>东正通过了安全阀特种制造许可证，目前是国内首家通过“高洁净安全阀特种制造许可证”的企业(安全附件及安全保护装置)。</p> <p>◆其证书编号：TSF 733008-2019</p> <p>Donjoy has passed the safety valve special equipment manufacturing license. Recently, is the first enterprise in China to pass the "Special Manufacturing License for High Clean Safety Valves" (safety accessories and safety protection devices). ◆Certificate number: TSF 733008-2019</p>
	<p><b>FDA.177.2600</b></p> <p>东正制造的高洁净阀门和泵以及流体设备等，与物料接触密封面全部通过或符合美国食品和药品管理局和联邦法规第21条即，CFR 21 FDA177.2600和FDA177.1550认证，其涵盖：EPDM VITON (FPM) SILICON HNBR 等橡胶和PTFE 塑料材料。 ◆符合美国 3-A-18-03-CLASS - II</p> <p>The seals of Donjoy's high-cleaning valves, pumps and fluid equipment that contact with material, all pass or comply with the US Food and Drug Administration and Federal Regulations issue 21, i.e. CFR 21 FDA177.2600 and FDA177.1550 certification. The seals cover : EPDM, VITON (FPM), SILICON, HNBR and other rubber &amp; PTFE plastic material. ◆Meets US 3-A-18-03-CLASS - II</p>
	<p><b>ISO-9001-2015</b></p> <p>东正通过中国质量认证中心CQC ISO9001-2015/GB/T19001-2015企业质量管理体系认证。 ◆其证书编号：00117Q38464R4M/3302</p> <p>Donjoy passed the China Quality Certification Center CQC, ISO9001-2015/GB/T19001-2015 enterprise quality management system certification. ◆Its certificate number is 00117Q38464R4M/3302.</p>
	<p><b>卫生许可证 Hygiene License</b></p> <p>东正通过了省卫生厅卫生阀门、卫生管件等检验且获得了其颁发的证书。 ◆其批准文号：第0056号</p> <p>Donjoy passed the inspection of sanitary valves and sanitary fittings of the Provincial Health Department and obtained the certificate issued by it. ◆Its approval number: No. 0056</p>
	<p><b>国家高新技术企业 National High-Tech Enterprise</b></p> <p>东正，经过20余年发展和技术研发，2011年被评定为国家高新技术企业。</p> <p>Donjoy, after more than 20 years of development and technology research &amp; development, was assessed as a national high-tech enterprise in 2011.</p>
	<p><b>浙江省著名商标 Zhejiang province famous trademark</b></p> <p>东正，凭借先进的技术、优良的品质和完善的售后服务体系，2012年被浙江省工商厅评定为浙江省著名商标。</p> <p>Donjoy, by virtue of advanced technology, excellent quality and perfect after-sales service system, was recognized as a famous trademark of Zhejiang Province by the Industrial and Commercial Bureau of Zhejiang Province in 2012.</p>

东正不但拥有以上认证和荣誉，且被评定为省科技型、创新型、专利示范、研发中心、重合同守信用等诸多荣誉。并拥有100多项专利技术。

Donjoy not only owes above certification and honors, but also has been evaluated as provincial science and technology type, innovation, patent demonstration, research and development center, contract keeping and other honors. It also owes more than 100 patented technologies.

## 荣誉与资质 Honor and qualification



东正不但拥有以上认证和荣誉，且被评定为省科技型、创新型、专利示范、研发中心、重合同守信用等诸多荣誉。并拥有100多项专利技术。

Donjoy not only owes above certification and honors, but also has been evaluated as provincial science and technology type, innovation, patent demonstration, research and development center, contract keeping and other honors. It also owes more than 100 patented technologies.

# 工艺管道连接对泵使用的影响

## The effect of pipe connection on pump usage




ABB  
IE2 IEC 60034-1  
3-Motor

No.	V	Hz	kw	r/min	A	cosφ	F	IP55
	230△	50	1.5	1441	6.11	0.74	S1	
	400 Y	50	1.5	1441	3.53	0.74	S1	
	230△	50	1.5	1435	6.10	0.78	S1	
	380 Y	50	1.5	1435	3.53	0.78	S1	
	460 Y	60	1.5	1741	3.22	0.70	S1	
	440 Y	60	1.5	1735	3.17	0.74	S1	

50Hz:IE2-82.8(100%)  
60Hz:IE2-84.0(100%)  
Prod.code 3GBA092510-ASCCN  
6205-2Z/C3 6024-2Z/C3 23 kg

说明：铭牌图片仅供格式参考，最终数据以实际铭牌为准。  
Remark: The format of the rating plate is for reference only, the final figure will be subject to the actual rating plate.

### 宽电压电机 Wide Voltage Motor

功率 Power(KW)	电压范围 Voltage	功率 Power(KW)	电压范围 Voltage
0.55	210V-230V/50HZ	4.0-5.5	360V-400V/50HZ
0.75		7.5-11	
1.1-1.5	420V-460V/60HZ	15-18.5	420V-460V/60HZ
2.2-3.0		22-30	

注意：电机采用 IEC EN IE2 能效等级，PTC 热敏电阻。（相当于中国二级能效）  
Note: The motor adopts IEC EN IE2 energy efficiency class, PTC thermistor. (Corresponding to China level two energy efficiency)  
注意：其他电机功率、电压、频率等，请联系东正。  
Note: Other motor power, voltage, frequency, etc., please contact DONJOY

### O型圈配置 O-ring Configuration

我们所采用密封橡胶都符合 FDA 177.2600; 3-A-18-03; Class II; USP Class VI Chapter 88 GB 4806.11; 等各种卫生高洁净的要求。

EPDM=标准

适用范围：温度 -10°C 到 130°C; PH 值约 5-9, 可耐受各种卫生领域介质及工业化学品, 成本低(推荐)。

FKM(Viton)=选项

适用范围：温度 -10°C 到 150°C; 可耐受各种卫生领域介质及工业化学品、油品等各种介质。

FFKM=选项

适用范围：温度 -30°C 到 250°C; 可耐受各种卫生领域介质及工业化学品、油品等各种介质, 几乎可以涵盖所有介质, 成本较高。

HNBR=选项

适用范围：温度 -10°C 到 150°C; 可耐受各种卫生领域介质及工业油品等各种介质, 特别适用于油品。

The sealing rubbers we use are in compliance with hygienic and high purity requirements, such as FDA 177.2600; 3-A-18-03; Class II; USP Class VI Chapter 88 GB 4806.11 and so on.

EPDM=Standard

Scope of application: Temperature -10 °C to 130°C; PH value about 5-9, can tolerate with various media in the health field and industrial chemicals, low cost (recommended)

FKM(Viton)=Option

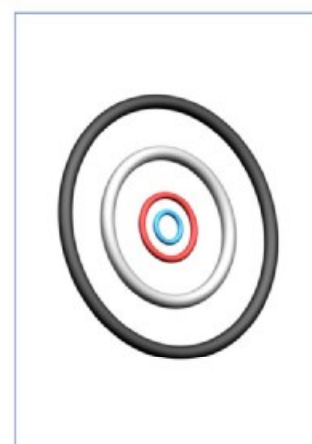
Scope of application: Temperature -10°C to 150 °C; can tolerate with various media in the health field, industrial chemicals, oils and so on.

FFKM=Option

Scope of application: Temperature -30°C to 250°C; can tolerate with various media in the health field, industrial chemicals, oils, etc., can cover almost all media, higher cost

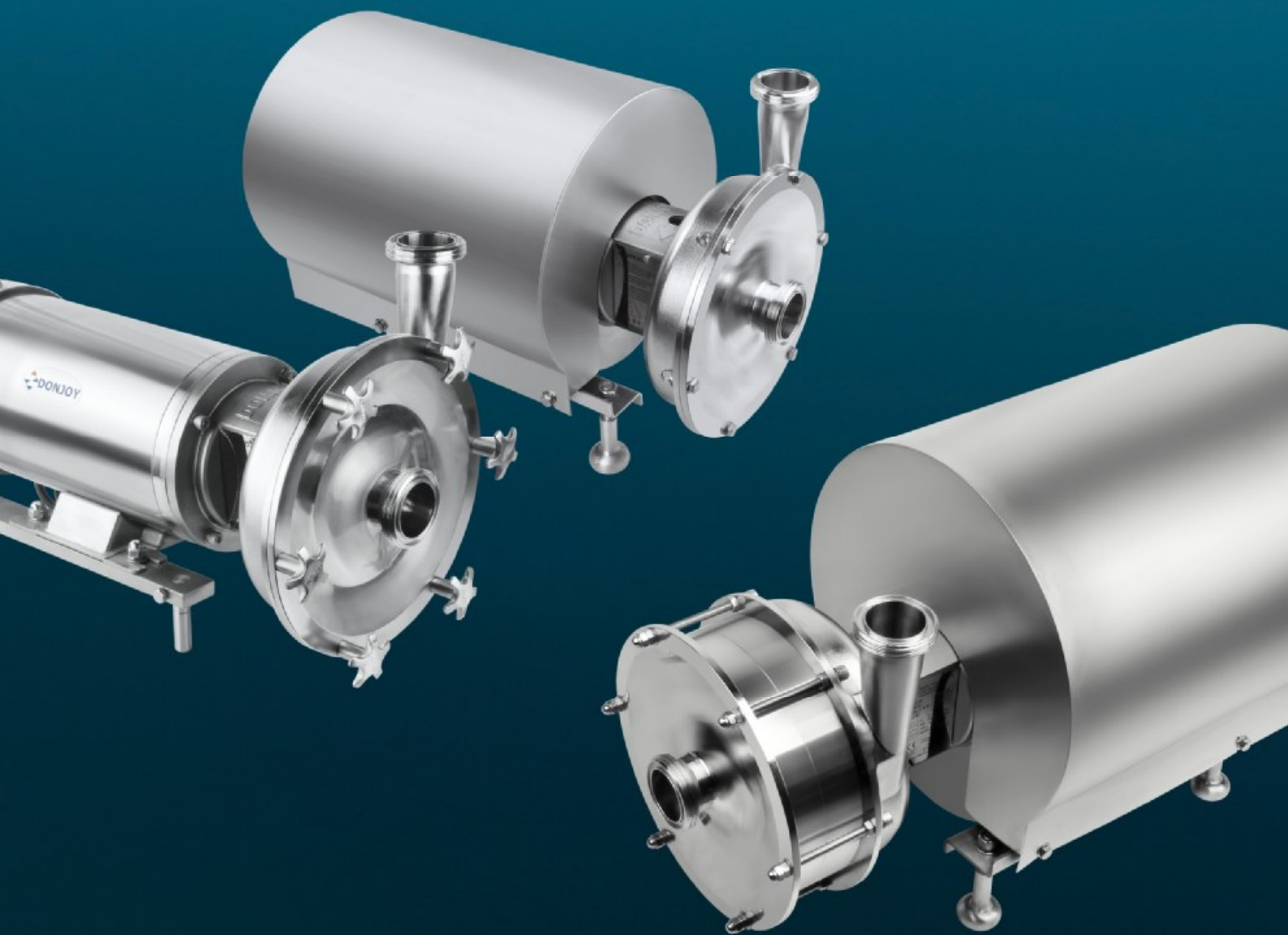
HNBR=Option

Scope of application: Temperature -10 °C to 150°C; can tolerate with various media in the health field, industrial oils, etc., especially suitable for oil products.



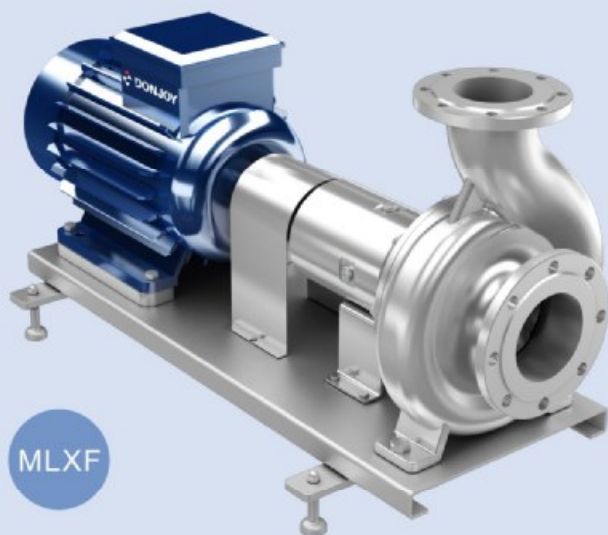
# Centrifugal pump series

离心泵系列



# MLX 系列离心泵

## MLX series centrifugal pump



MLXF

大流量、高效率、低功耗、  
低噪音、高洁净  
High flow, high efficiency,  
low power consumption, low noise,  
high purity



MLX系列是一款大流量的离心泵，采用开式叶轮设计，水力模型采用CFD优化设计，在保证高效率水力性能的前提下，提高低粘度含颗粒物料的过流性能，降低对物料的剪切破坏，泵壳及过流部件均采用304/316L不锈钢。主要应用于糖化发酵液、麦芽汁及食品饮料的果汁果酱等含有固体颗粒及低粘度弱腐蚀性物料的输送，也可应用于制药、化工、工业用水或饮用水处理等工业领域。

The MLX series is a high-flow centrifugal pump with open impeller design. The hydraulic model is designed with CFD to improve the over-flow performance of low-viscosity particulate materials and reduce the shear damage of materials under the premise of ensuring high-efficiency hydraulic performance. Pump cover and parts contacting with medium are all made of 304/316L SS. It is mainly used to transport low-viscosity weak corrosive materials with solid granules, such as saccharified fermentation broth, wort, juice, jam, food, beverage, etc., and can also be used for in industrial fields such as pharmaceutical, chemical, industrial water, drinking water treatment and so on.



MLXY

### 技术参数 Technical Specifications

流量 Flow	100m <sup>3</sup> -800m <sup>3</sup>
最高扬程 Max head	40 M
温度 Temperature	-20℃-140℃
功率 Power	11KW-90KW
材质 Material	304 /316L, 1.431/1.4404, ASME BPE 316L, 1.4435 NB2 Fe≤0.5%
表面处理 Surface treatment	≤ Ra0.8 μm, ≤ Ra0.6 μm, ≤ Ra0.4 μm
机封 Mechanical seal	单机封(见配置方案) Single mechanical seal (see configuration scheme)
进/出口连接 Inlet/Outlet Connection	法兰、无菌法兰 Flanged, Aseptic flanged
认证 Certification	3-A-02-10(N.O.1579); MD/06/42-EC (N.O.70521616101-00); FDA 177.2600; USP CLASS-II; EG/VO1935/2004;



非常简单的维护、  
无需专用工具、专业人员  
Very simple maintenance, no special  
tools required, no professionals required

### 技术优势

- 维护拆卸和安装时，无需专业人员和专用工具，即可完成。
- 初始使用安装调试时，即使出现短暂反向旋转也不会损坏。
- 叶轮和轴之间是通过键槽连接固定，叶轮和机封动环之间是通过销钉固定，机封静环和泵体之间是通过异形法兰固定。
- 兼容单机封和双机封，只需要更换机封即可实现。

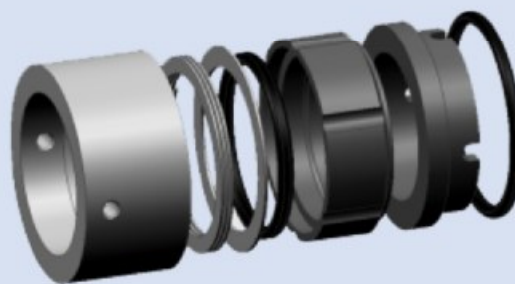
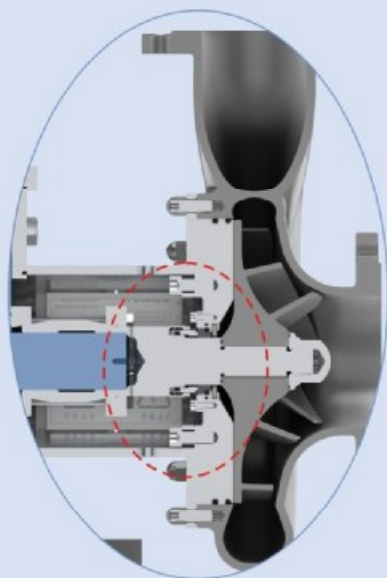
### Technical Advantages

- Maintenance disassembly and installation can be completed without professional staff and special tools.
- Initial use of installation debugging, even if a short reverse rotation will not be damaged.
- Impeller and shaft are connected by keyway; impeller and mechanical seal rotating ring are connected by pin; mechanical seal static ring and pump body are connected by special-shaped flange.
- Compatible with single and double machine seal, only need to change machine seal.



# MLX 系列离心泵机封设计

## MLX series centrifugal pump mechanical seal design



### 机封系统

DONJOY DJ-MLX 系列离心泵机封，联合欧洲瑞典著名公司合作研发，机封设计具有压力平衡设计、超长使用寿命、极易拆装维护、无需特殊专用工具，卫生洁净符合认证：欧盟 EHEDG，美国 3-A-02-11，FDA1772600 等高洁净要求。并有丰富的机封配置方案。

### Mechanical Seal Features

Donjoy DJ-MLX series centrifugal pump mechanical seal is researched and developed together with European Swedish famous company. The mechanical seal is designed with pressure balance and super long working life, can be disassembled and maintained easily without special tools. The sanitary purity is according to EU EHEDG, USA 3-A-02-11, FDA1772600 and so on. and has lots of configuration.

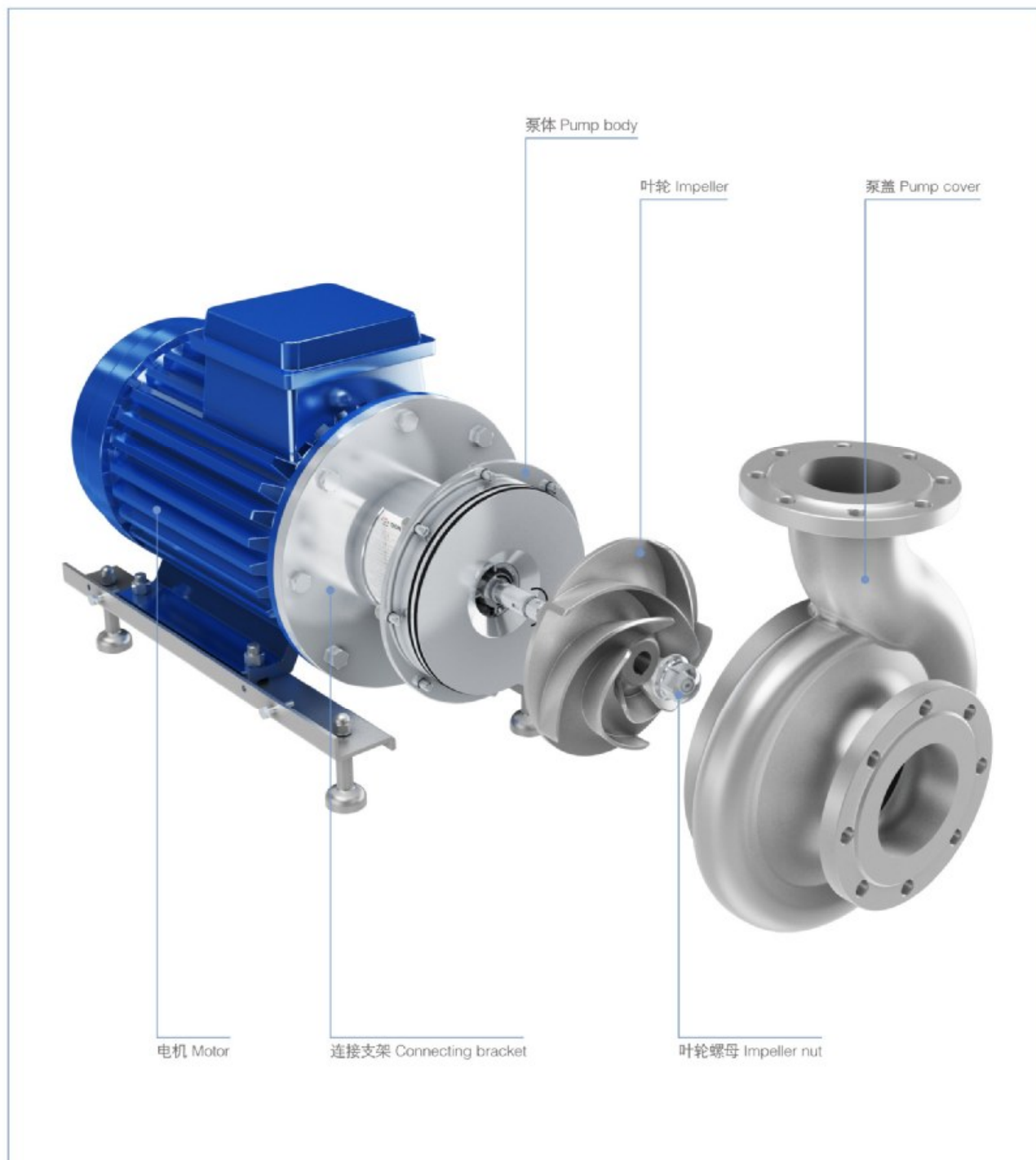
### 机封配置 Mechanical Seal Configuration

- 1) SIC/C/FKM
- 2) SIC/SIC/FKM
- 3) TC/TC/FKM

注意：以上配置适用于单机封。

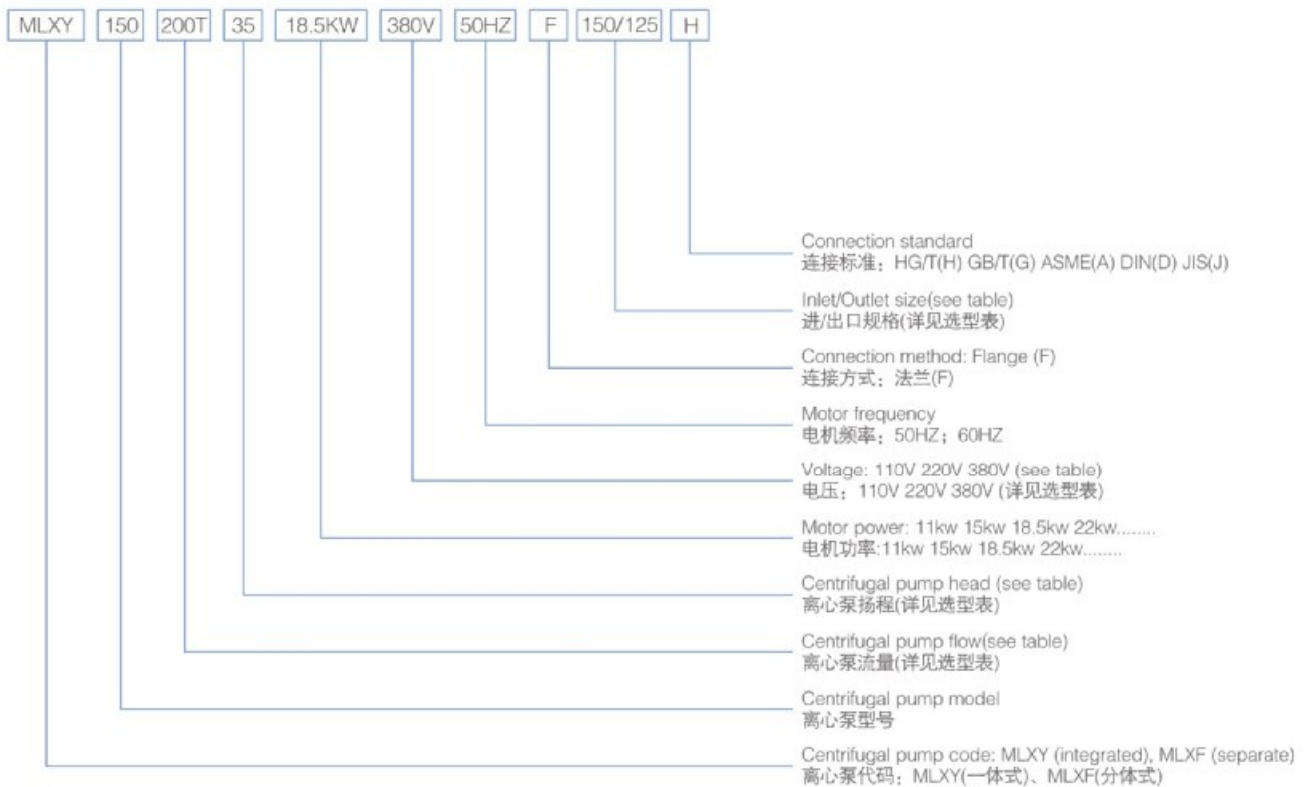
Note: The above configuration is suitable for single mechanical seal.

# MLX 系列离心泵 MLX series centrifugal pump



# MLX 离心泵型号说明

## MLX centrifugal pump model instruction



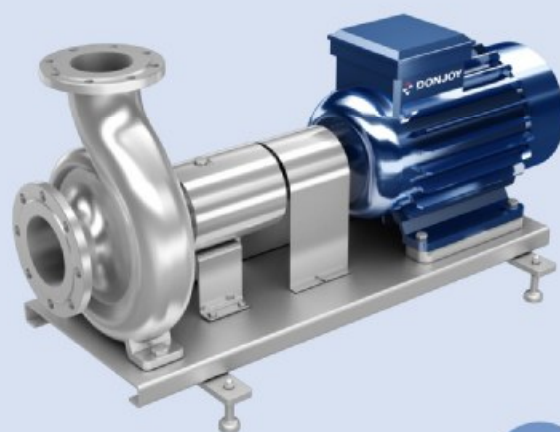
For example:  
 举例: MLXY-150-200T-35-18.5KW-380V-50HZ-F-150/125-H

# MLX 离心泵选型表

## MLX centrifugal pump selection table



MLXY



MLXF

### 电机直连式 Motor Direct Connection Type

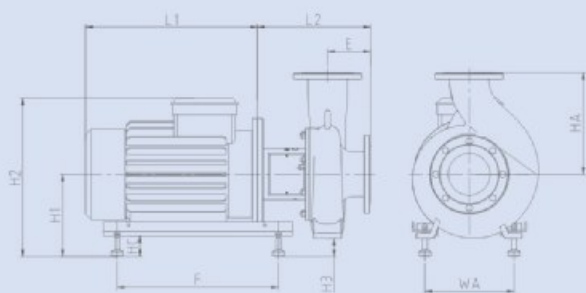
规格 Model	功率 Power (KW)	流量 Flow m <sup>3</sup> /h	扬程 Head H(M)	进口 Inlet	出口 Outlet	转速 Rotating speed	重量 Weight (kg)
DJ-MLXY-150	11	100	20	DN150	DN125	1450	220.1
	15	200	18				233.1
	18.5	300	16				243.5
	22	400	15				270.5
DJ-MLXY-200	15	100	21	DN200	DN150	1450	266.5
	22	200	21				303.9
	30	300	19				352.7
	30	400	17				352.7
	30	500	15				352.7
DJ-MLXY-250	18.5	200	18	DN250	DN200	980	355.9
	22	300	17.5				382.9
	30	400	17				431.7
	30	500	16				431.7
	37	600	15				462.7
	45	800	14				506.7

### 电机分体连接式 Motor Split Connection Type

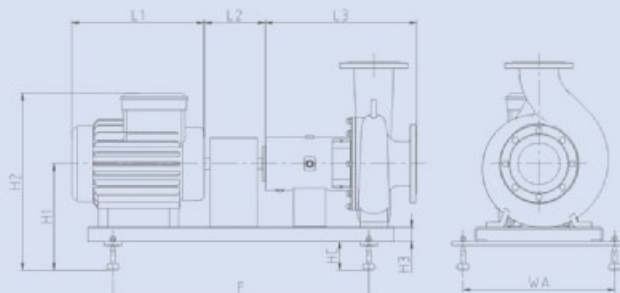
规格 Model	功率 Power (KW)	流量 Flow m <sup>3</sup> /h	扬程 Head H(M)	进口 Inlet	出口 Outlet	转速 Rotating speed	重量 Weight (kg)	齿轮箱+底座 Gearbox+Base (KG) (★)
DJ-MLXF-150	15	100	40	DN150	DN125	2900	306	38
	18.5	200	35				314	38
	22	300	32				341	38
	30	400	30				389	38
	30	400	30				389	38
DJ-MLXF-200	22	100	45	DN200	DN150	2900	387	39
	30	200	42				435	39
	45	300	38				510	39
	45	400	35				510	39
	45	500	30				510	39
DJ-MLXF-250	30	200	36	DN250	DN200	1450	532	39
	37	300	35				563	39
	45	400	34				607	39
	55	500	32				668	39
	75	600	30				880	39
	90	800	28				920	39

# MLX 系列离心泵数据图

## MLX series centrifugal pump data chart



MLXY



MLXF

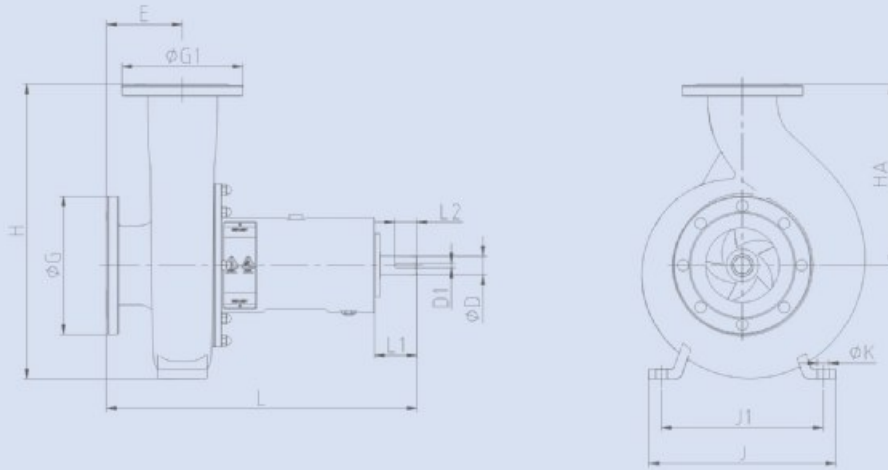
### 电机直连式 Motor Direct Connection Type

MLXY	电机功率 Motor power (kw)	外形安装尺寸 Outline mounting size									
		H1	H2	L1	L2	F	WA	E	HA	HC	H3
MLXY-150	11	231	484.2	476.5	401	450	279	154	369	51.2	1.2
	15	231	484.2	476.5	401	515	279	154	369	51.2	1.2
	18.5	237.2	491.2	573	401	515	279	154	369	37.2	7.2
	22	237.2	491.2	573	401	580	279	154	369	37.2	7.2
MLXY-200	15	285.2	538.2	476.5	396	450	279	144	434	105.2	0.2
	22	287.2	541.2	573	396	515	279	144	434	87.2	2.2
	30	285	558	618	396	580	315	144	434	65	0
	30	285	558	618	396	580	315	144	434	65	0
	30	285	558	618	396	580	315	144	434	65	0
MLXY-250 (6P电机)	22	353.9	626.9	618	473	580	315	206	494	138.9	3.9
	22	353.9	626.9	618	473	580	315	206	494	138.9	3.9
	30	353.9	667.9	709	473	580	356	206	494	108.9	3.9
	30	353.9	667.9	709	473	580	356	206	494	108.9	3.9
	37	353.9	688.9	737	473	580	406	206	494	83.9	3.9
	45	353.9	688.9	842	473	580	457	206	494	83.9	3.9

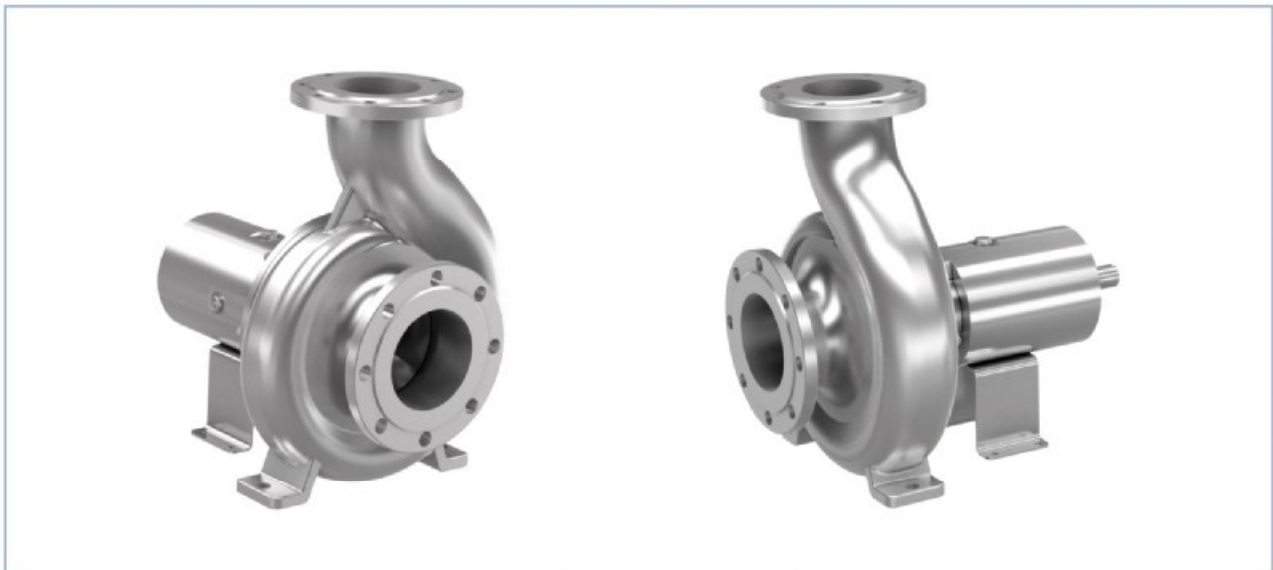
### 电机分体连接式 Motor Split Connection Type

MLXF	电机功率 Motor power (kw)	外形安装尺寸 Outline mounting size							
		H1	H2	L1	L2	L3	F	WA	HC
MLXF-150	15	382	635	476.5	222	544	920	545	102
	18.5	382	634.5	573	222	544	920	545	102
	22	382	636	573	222	544	920	545	102
	30	382	655	618	222	544	920	545	102
MLXF-200	22	431.2	685.2	573	222	539	920	620	96.2
	30	431.2	704.2	618	222	539	920	620	96.2
	45	431.2	739	714	222	539	920	620	96.2
	45	431.2	739	714	222	539	920	620	96.2
	45	431.2	739	714	222	539	920	620	96.2
MLXF-250	30	480	753	618	241	616	1220	820	80
	37	480	794	714	241	616	1220	820	80
	45	480	794	714	241	616	1220	820	80
	55	480	815	742	241	616	1220	820	80
	75	480	975	842	241	616	1220	820	80
	90	480	975	912	241	616	1220	820	80

注意：以上数据图相关尺寸不作为实物最终依据，东正保留对于数据更新权限不再另行通知。  
 Note: The relevant dimensions of the above data diagrams are not regarded as the final basis of the actual object.  
 DONJOY reserves the right to update the data without further notice.



MLXF	外形安装尺寸 Outline mounting size											
	E	G	G1	D	D1	H	HA	L	L1	L2	J	J1
MLXF-150	154	280	245	38	10	599	369	630	86	45	380	340
MLXF-200	144	335	280	38	10	719	434	625	86	45	500	440
MLXF-250	206	390	335	38	10	844	494	702	86	45	650	570

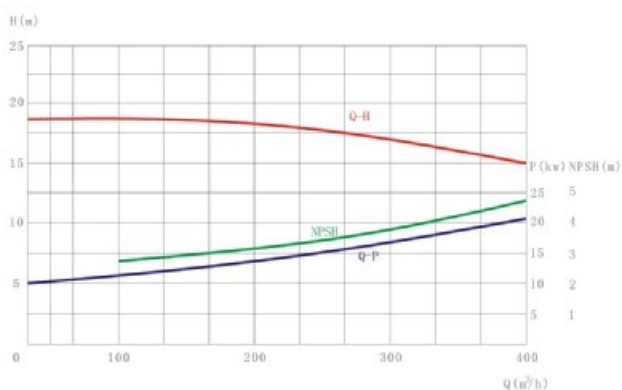


# MLX 系列离心泵曲线图

## MLX series centrifugal pump graph



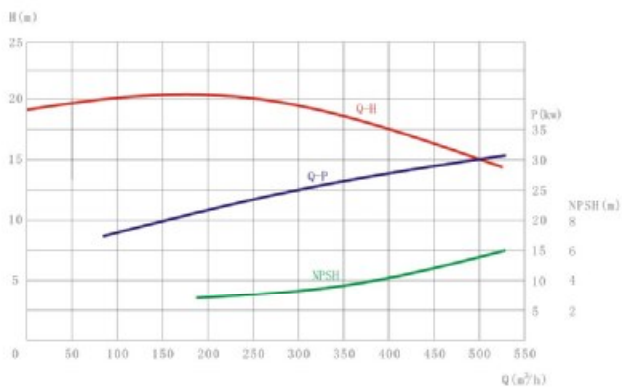
MLXY-150(n=1450r/min)



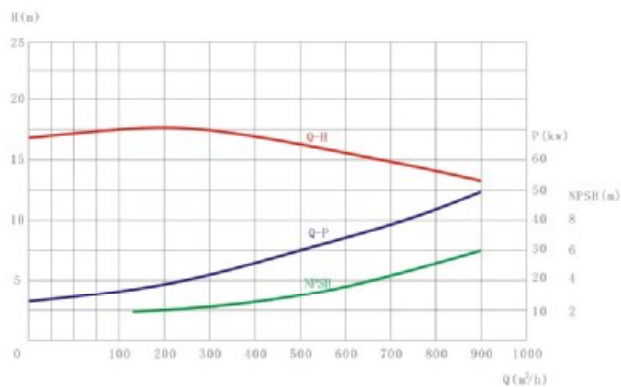
测试条件: 介质清水, 温度20°C,  
Q-流量(m<sup>3</sup>/H), H-扬程(M), P-功率(KW)。

Testing condition: medium water,  
temperature 20 °C, Q-Flow rate (m<sup>3</sup>/H), H-head (meter), P-power (KW).

MLXY-200(n=1450r/min)

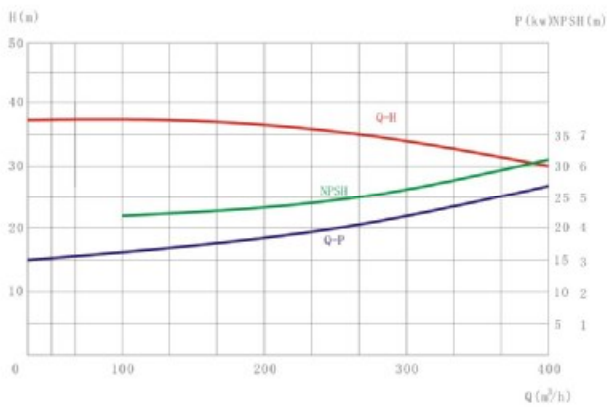


MLXY-250(n=980r/min)





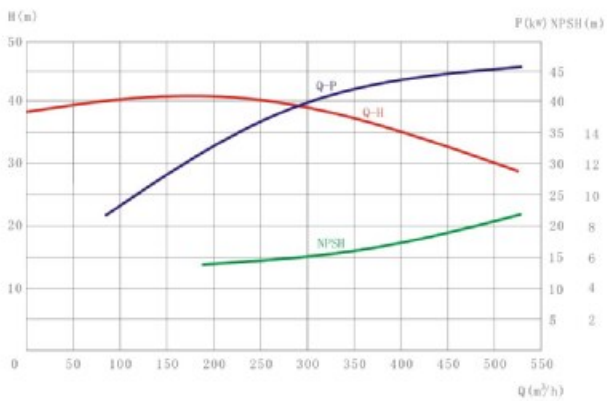
MLXF-150(n=2900r/min)



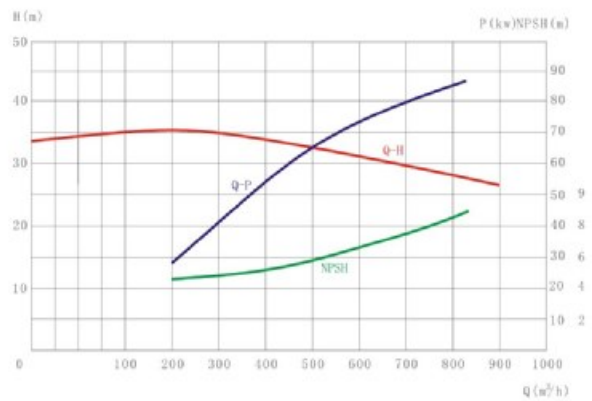
测试条件: 介质清水, 温度20°C,  
Q-流量(m³/h), H-扬程(M), P-功率(KW)。

Testing condition: medium water,  
temperature 20 °C, Q-Flow rate (m³/h), H-head (meter), P-power (KW).

MLXF-200(n=2900r/min)



MLXF-250(n=1450r/min)







DONJOY looking forward to your visit! Your telecommunications!



## 东正科技有限公司 DONJOY TECHNOLOGY CO., LTD

地址: 温州空港新区港富路25号  
总机: 0577 8699 0888  
传真: 0577 8699 8000

ADD: No.25 Gangfu Road, Konggang  
New District, Longwan, Wenzhou, China  
TEL: +86 577 8699 0888  
FAX: +86 577 8699 8000  
E-mail: donjoy@cndonjoy.com

[www.cndonjoy.com](http://www.cndonjoy.com)

### 法律声明:

目录样册版权归东正所有, 如有抄袭, 必将追究其法律责任和经济赔偿。  
东正已获得国家版权局书刊号。东正诸多产品技术, 都具有专利保护, 如有抄袭, 必将追究法律责任和经济赔偿。

### Legal statement:

Copyright of the catalogue belongs to Donjoy. If there is plagiarism, it will be investigated for legal responsibility and economic compensation. Donjoy has been granted publications number by Chinese National Copyright. Donjoy products and technology are with patent protection. If there is plagiarism, it will be investigated for legal responsibility and economic compensation.