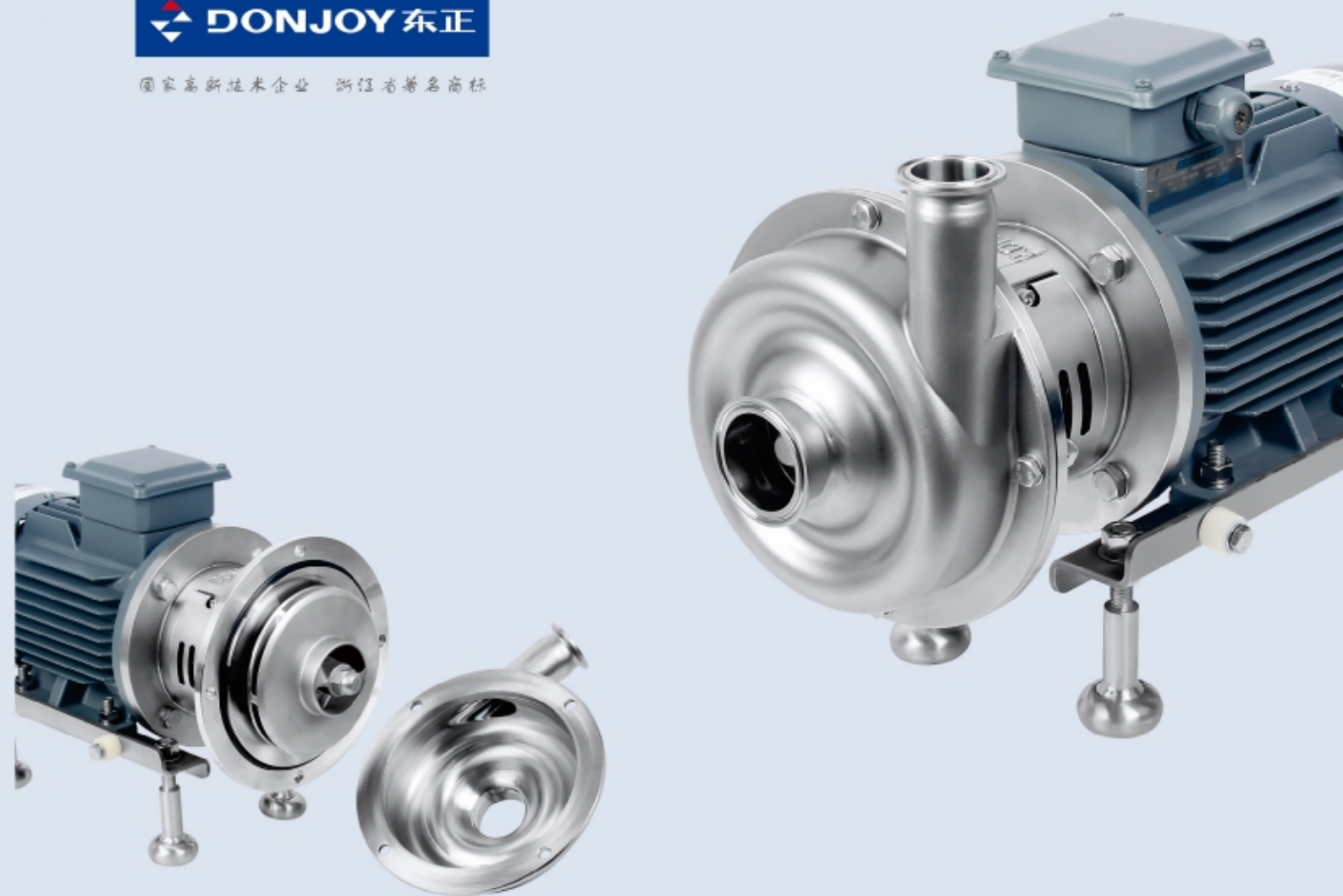




国家高新技术企业 浙江省著名商标



High purity pumps

高洁净泵

0.3.4

东正一直致力于技术革新
是您值得信赖的事业伙伴
**Donjoy has been committed to
technical innovation, is your trustworthy
business partner!**

目录册技术资料仅供参考，
东正保留更新和升级的权利，恕不另行通知！

Catalogue technical information only for reference.
Donjoy reserves the rights to update and upgrade
without prior notice.

法律声明:

目录样册版权归东正所有，
如有抄袭，必将追究其法律责任和经济赔偿。
东正已获得国家版权局书刊号。
东正诸多产品技术，都具有专利保护，
如有抄袭，必将追究法律责任和经济赔偿。

Legal statement:

Copyright of the catalogue belongs to Donjoy.
If there is plagiarism, it will be investigated for legal
responsibility and economic compensation.
Donjoy has been granted publications number by
Chinese National Copyright.
Donjoy products and technology are with patent protection.
If there is plagiarism, it will be investigated for legal
responsibility and economic compensation.

温州空港新区总部生产基地 Wenzhou airport economic zone production base



占地面积约29000m²，总投资约1.2亿RMB，约2000万USD。

Covering an area of 29000 m², with total investment after construction is expected to 120 million yuan, about 20 million USD.

领先源于创新 创新源于专业

东正的专业与品质的邂逅源于创新的精神

东正创立于1993年，注册资本6088万(约1000万USD)，是一家专注于高精度PID阀门定位器，阀门控制单元，阀门位置反馈器、智能自控阀、比例调节阀、过程控制阀、高洁净泵、均质混合泵、清洗技术、压力容器和管道安全控制技术、高洁净管材和管道配件，集研发、生产与销售为一体的国家高新技术企业。产品用途涉及行业和领域有生物制药、食品饮料、酿酒、精细化工等工业领域。东正领先的技术和持续创新解决方案，对满足全球，尤其是新兴市场不断增长生物制药和食品饮料行业的需求起到了积极作用。

东正制造的产品母材料、加工技术、焊接技术、表面处理等技术指标均已达到国际领先水平。且符合ASME BPE、EHEDG、FDA、3A等一系列国际标准和规范要求。先后通过了由德国 TÜV 机构实施的欧盟承压设备指令(PED-97/23/EC)和(MD-06/42/EC)认证；美国 3A机构实施的3-A卫生标准认证；中国安全阀特种制造设备(TS)许可证和中国质量认证中心CQC ISO9001:2015 质量管理体系认证等多项国际权威认证。

东正凭借领先的技术、优异的品质和完善的售后服务体系，公司荣获为《国家高新技术企业》，《浙江省著名商标》、《科技型企业》、《创新型企业》、《专利示范企业》、《研发中心企业》，《守合同重信用AAA企业》等众多荣誉称号。





Leading from innovation, innovation from the professionalism! Donjoy's professionalism and quality come from the spirit of innovation!

Donjoy was founded in 1993, with registered capital RMB 60.88 million (about 10million USD) We focus on developing high-precision PID valve positioner, Valve Control unit, Valve Position feedback device, intelligent automatic control valve, proportional valve, process control valve, high purity pump, homogeneous mixing pump, cleaning technology, pressure vessel, pipeline safety control technology, high clean pipe fitting&pipeline accessories and integrating r&d, production and sales as an integrated national high-tech enterprises. Donjoy's products are widely used in bio-pharmaceutical, food and beverage, wine, fine chemicals and other industrial fields. Donjoy's leading technology and innovation solutions meets growing demand in the industry of bio-pharmaceutical, food and beverage from the whole world, special emerging market.

Raw material, processing technology, welding technology, surface treatment and other technology from Donjoy have achieved advanced level in international market. It also complies with a series of international standards and specifications such as ASME BPE, EHEDG, FDA and 3A , It has passed the EU Pressure Equipment Directive (PED-97/23/EC) and (MD-06/42/EC) issued by the German TÜV organization; the 3-A health standard certification issued by the 3A organization; China Safety Valve Special Manufacturing Equipment (TS) License , China Quality Certification Center (CQC) and Quality Management System Certification (ISO9001:2015) and many other international authoritative certifications.

With advanced technology, excellent quality and perfect after-sales service system, Donjoy was awarded as National High-tech Enterprise, Provincial Famous Trademark, Science and Technology Enterprise, Innovative Enterprise, Patent Demonstration Enterprise, R & D Center Enterprise, AAA Credit Enterprise and many other honorary.



全面的创新技术能力
为您带来创造性的解决方案



Comprehensive innovation technology, capabilities Bring you creative solutions

东正拥有诸多领先的产品技术，如各种比例调节阀、过程自控阀、生物制药隔膜阀、防混双座阀、压力容器和管道安全控制技术、清洗技术、高洁净转子泵、螺杆泵、离心泵、自吸泵、均质乳化泵、均质混合泵、卫生管件和无菌管件等.....

Donjoy owes many leading technology products, such as various proportioning regulating valve, process automatic control valve, pharmaceutical diaphragm valve, mixed double seat valve, pressure vessel and pipeline safety control technology, clean technology, high cleanliness rotor pump, screw pump, centrifugal pump, self-priming pump, homogeneous emulsion pump, homogeneous mixing pump, sanitary fittings, aseptic pipe fittings and so on.



企业的成功源于创新。东正的成功基于创始人“开拓创新、追求卓越”的创新精神，1994年东正开发了第一只高洁净的蝶阀，这只蝶阀是东正的起始点。

控制器的研发成就完美的过程自动控制，2004年东正成功研发了技术领先的阀门定位器、阀门控制单元。

高洁净泵的研发确保物料输送的洁净，2006年东正成功研发了高精度的转子泵、离心泵、混合泵、自吸泵。

我们一直走在行业与时代的前沿，把不断革新、日新月异的市场发展和客户需求作为自身最大的挑战。东正有自己的独立的思维和视野，始终保持领先致力于产品在新经济领域中的开发和应用。未来我们将一如既往的坚持以技术创新、以顾客为导向走向新的成功。



Success of an enterprise stems from innovation. Donjoy's success is based on the founder's innovative spirit of "pioneering innovation and pursuing excellence". In 1994, Donjoy developed the first highly purity butterfly valve, which was the starting point of Donjoy.

Research and development of the controller achieves perfect automatic process control. In 2004, Donjoy has successfully developed advanced valve positioner and valve control unit.

Research and development of high purity pump to ensure the purity of medium transportation. In 2006, Donjoy has successfully developed high precision lobe pump, centrifugal pump, mixing pump and self-priming pump.

We are always at the forefront of the industry and times, taking the continuous innovation of technology, rapid market development and customer demand as our biggest challenge. Donjoy has its own independent thought and horizons, and always maintains a leading position in the development and application of products in the new economic field. In future, we will continue to adhere to technological innovation and customer-oriented towards new success.



精益加工车间 Lean processing workshop



东正以科学技术领先为第一生产力，也是企业核心竞争力。只有不断投入核心技术研发和创新，不断追求卓越、精益求精、以先进生产设备，严格的质量管理体系，严谨的检测流程、保证每款产品的优良性能。

Donjoy takes leading in science and technology as the first productivity as well as the core competitiveness of the enterprise. With continuous investment in core technology research, development and innovation; constant pursuit of prominence and excellence; advanced production equipment; strict quality management system; and rigorous testing process, we ensure excellent quality and performance of every product.



机器人生产线 Robot production line

装配车间 Assembly workshop



荣誉与资质 Honor and qualification

	<p>3A</p> <p>东正是美国3A认证组织的成员。3A是一个自愿组织，致力于维护公共卫生和奶制品产品质量通过独特的行业监管程序的设备，用于处理乳制品的卫生标准3-A。</p> <p>Donjoy is a member of US 3A Certification Organization, 3A is a voluntary organization dedicated to maintaining the quality of public health and dairy products through a unique industry regulatory process for the treatment of dairy product hygiene standards 3-A.</p> <ul style="list-style-type: none"> ◆54-02 (Diaphragm-Type Valves)-NUMBER: 1580-隔膜阀 ◆02-11 (Centrifugal and Positive Rotary Pumps) NUMBER: 1579-高洁净泵 ◆85-03 (Double-Seal Mixproof Valves) NUMBER: 1797-双座防混阀 ◆64-03 (Pressure Reducing and Back Pressure Regulating Valves) NUMBER: 1764-减压阀&调节阀 ◆53-05 (Compression-Type Valves) -NUMBER: 1782-单座阀(单向阀) ◆68-03 (Ball-Type Valves) NUMBER: 1785-球阀 ◆55-02 (Boot Seal-Type Valves) NUMBER: 1783-无菌取样阀 ◆04-02 (Personnel Access Ports for Wet Applications) NUMBER: 1786-人孔。 ◆63-03 (Sanitary Fittings) NUMBER: 1581-卫生管件
	<p>PED/97/23/EC&MD/06/42/EC</p> <p>由德国TÜV机构实施的欧盟承压设备安全指令 (PED-97/23/EC)，机械安全指令MD-06/42/EC。</p> <p>EU Pressure Equipment Safety Directive (PED-97/23/EC), Machinery Safety Directive MD-06/42/EC, implemented by TÜV, Germany.</p> <ul style="list-style-type: none"> ◆MD/06/42/EC NUMBER: 705201402401-00 - LOBE PUMP转子泵 ◆MD/06/42/EC NUMBER: 705201616101-00 - Centrifugal pump 离心泵 ◆PED/97/23/EC NUMBER: DGR - 0036-QS-1153-14-Valves 阀门系列
	<p>安全阀特种制造许可证(TS) Safety valve special manufacturing license</p> <p>东正通过了安全阀和设备制造许可证，目前是国内首家通过“高洁净安全阀特种制造许可证”的企业(安全附件及安全保护装置)。</p> <p>◆其证书编号：TSF 733008-2019</p> <p>Donjoy has passed the safety valve special equipment manufacturing license. Recently, is the first enterprise in China to pass the "Special Manufacturing License for High Clean Safety Valves" (safety accessories and safety protection devices). ◆Certificate number: TSF 733008-2019</p>
	<p>FDA.177.2600</p> <p>东正制造的高洁净阀门和泵以及流体设备等，与物料接触密封面全部通过或符合美国食品和药品管理局和联邦法规第21条即，CFR 21 FDA177.2600和FDA177.1550认证，其涵盖：EPDM VITON (FPM) SILICON HNBR 等橡胶和PTFE 塑料材料。 ◆符合美国 3-A-18-03-CLASS - II</p> <p>The seals of Donjoy's high-cleaning valves, pumps and fluid equipment that contact with material, all pass or comply with the US Food and Drug Administration and Federal Regulations issue 21, i.e. CFR 21 FDA177.2600 and FDA177.1550 certification. The seals cover : EPDM, VITON (FPM), SILICON, HNBR and other rubber & PTFE plastic material. ◆Meets US 3-A-18-03-CLASS - II</p>
	<p>ISO-9001-2015</p> <p>东正通过中国质量认证中心CQC ISO9001-2015/GB/T19001-2015企业质量管理体系认证。 ◆其证书编号：00117Q38464R4M/3302</p> <p>Donjoy passed the China Quality Certification Center CQC, ISO9001-2015/GB/T19001-2015 enterprise quality management system certification. ◆Its certificate number is 00117Q38464R4M/3302.</p>
	<p>卫生许可证 Hygiene License</p> <p>东正通过了省卫生厅卫生阀门、卫生管件等检验且获得了其颁发的证书。 ◆其批准文号：第0056号</p> <p>Donjoy passed the inspection of sanitary valves and sanitary fittings of the Provincial Health Department and obtained the certificate issued by it. ◆Its approval number: No. 0056</p>
	<p>国家高新技术企业 National High-Tech Enterprise</p> <p>东正，经过20余年发展和技术研发，2011年被评定为国家高新技术企业。</p> <p>Donjoy, after more than 20 years of development and technology research & development, was assessed as a national high-tech enterprise in 2011.</p>
	<p>浙江省著名商标 Zhejiang province famous trademark</p> <p>东正，凭借先进的技术、优良的品质和完善的售后服务体系，2012年被浙江省工商厅评定为浙江省著名商标。</p> <p>Donjoy, by virtue of advanced technology, excellent quality and perfect after-sales service system, was recognized as a famous trademark of Zhejiang Province by the Industrial and Commercial Bureau of Zhejiang Province in 2012.</p>

东正不但拥有以上认证和荣誉，且被评定为省科技型、创新型、专利示范、研发中心、重合同守信用等诸多荣誉。并拥有100多项专利技术。

Donjoy not only owes above certification and honors, but also has been evaluated as provincial science and technology type, innovation, patent demonstration, research and development center, contract keeping and other honors. It also owes more than 100 patented technologies.

荣誉与资质 Honor and qualification



东正不但拥有以上认证和荣誉，且被评定为省科技型、创新型、专利示范、研发中心、重合同守信用等诸多荣誉。并拥有100多项专利技术。

Donjoy not only owes above certification and honors, but also has been evaluated as provincial science and technology type, innovation, patent demonstration, research and development center, contract keeping and other honors. It also owes more than 100 patented technologies.

工艺管道连接对泵使用的影响

The effect of pipe connection on pump usage




ABB
IE2 IEC 60034-1
3-Motor

No.	V	Hz	kw	r/min	A	cosφ	F	IP55
	230△	50	1.5	1441	6.11	0.74	S1	
	400 Y	50	1.5	1441	3.53	0.74	S1	
	230△	50	1.5	1435	6.10	0.78	S1	
	380 Y	50	1.5	1435	3.53	0.78	S1	
	460 Y	60	1.5	1741	3.22	0.70	S1	
	440 Y	60	1.5	1735	3.17	0.74	S1	

50Hz:IE2-82.8(100%)
60Hz:IE2-84.0(100%)
Prod.code 3GBA092510-ASCCN
6205-2Z/C3 6024-2Z/C3 23 kg

说明：铭牌图片仅供格式参考，最终数据以实际铭牌为准。
Remark: The format of the rating plate is for reference only, the final figure will be subject to the actual rating plate.

宽电压电机 Wide Voltage Motor

功率 Power(KW)	电压范围 Voltage	功率 Power(KW)	电压范围 Voltage
0.55	210V-230V/50HZ	4.0-5.5	360V-400V/50HZ
0.75		7.5-11	
1.1-1.5	420V-460V/60HZ	15-18.5	420V-460V/60HZ
2.2-3.0		22-30	

注意：电机采用 IEC EN IE2 能效等级，PTC 热敏电阻。（相当于中国二级能效）
Note: The motor adopts IEC EN IE2 energy efficiency class, PTC thermistor. (Corresponding to China level two energy efficiency)
注意：其他电机功率、电压、频率等，请联系东正。
Note: Other motor power, voltage, frequency, etc., please contact DONJOY

O型圈配置 O-ring Configuration

我们所采用密封橡胶都符合FDA 177.2600; 3-A-18-03; Class II; USP Class VI Chapter 88 GB 4806.11; 等各种卫生高洁净的要求。

EPDM=标准

适用范围：温度 -10°C到130°C; PH值约 5-9, 可耐受各种卫生领域介质及工业化学品, 成本低(推荐)。

FKM(Viton)=选项

适用范围：温度 -10°C到 150°C; 可耐受各种卫生领域介质及工业化学品、油品等各种介质。

FFKM=选项

适用范围：温度 -30°C到 250°C; 可耐受各种卫生领域介质及工业化学品、油品等各种介质, 几乎可以涵盖所有介质, 成本较高。

HNBR=选项

适用范围：温度 -10°C到 150°C; 可耐受各种卫生领域介质及工业油品等各种介质, 特别适用于油品。

The sealing rubbers we use are in compliance with hygienic and high purity requirements, such as FDA 177.2600; 3-A-18-03; Class II; USP Class VI Chapter 88 GB 4806.11 and so on.

EPDM=Standard

Scope of application: Temperature -10 °C to 130°C; PH value about 5-9, can tolerate with various media in the health field and industrial chemicals, low cost (recommended)

FKM(Viton)=Option

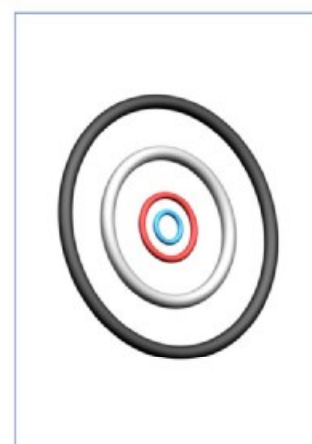
Scope of application: Temperature -10°C to 150 °C; can tolerate with various media in the health field, industrial chemicals, oils and so on.

FFKM=Option

Scope of application: Temperature -30°C to 250°C; can tolerate with various media in the health field, industrial chemicals, oils, etc., can cover almost all media, higher cost

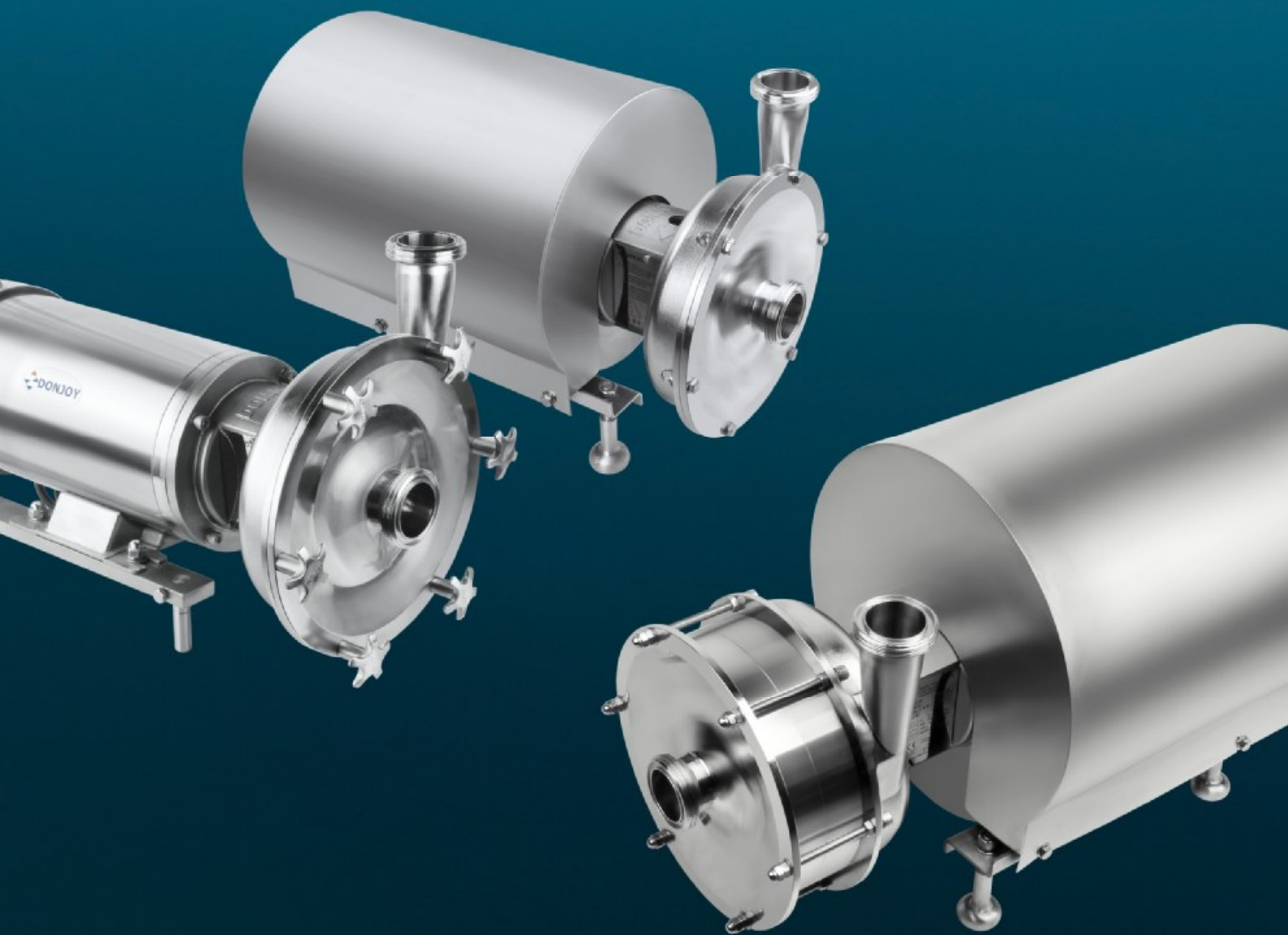
HNBR=Option

Scope of application: Temperature -10 °C to 150°C; can tolerate with various media in the health field, industrial oils, etc., especially suitable for oil products.

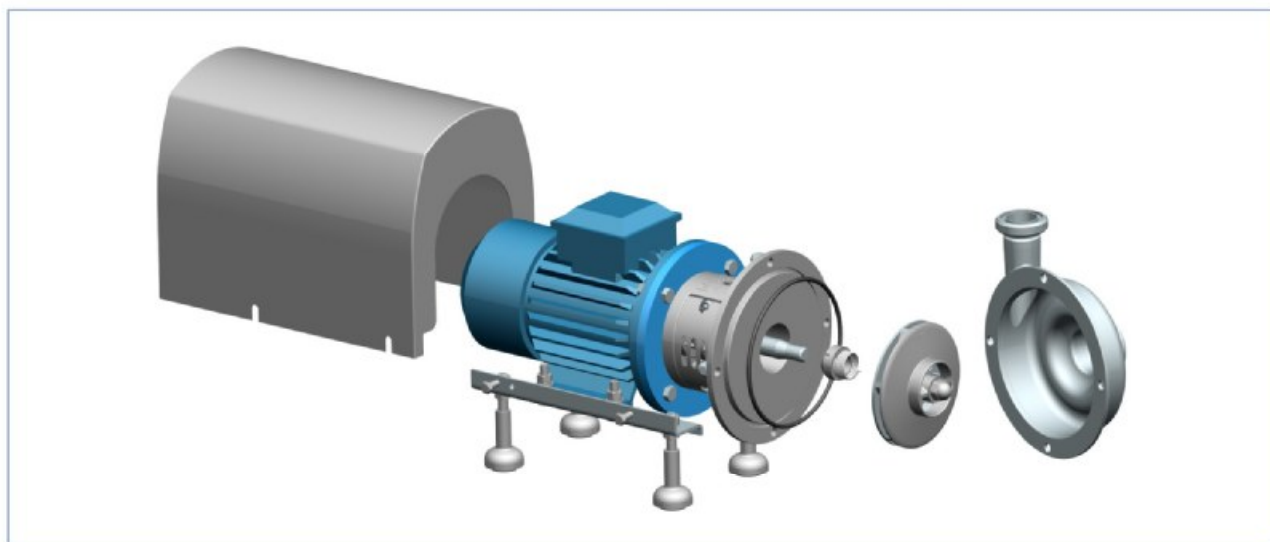


Centrifugal pump series

离心泵系列



非常简单的维护、
无需专用工具、专业人员
Very simple maintenance,
no special tools required, no
professionals required



技术优势

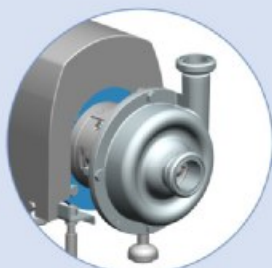
- 维护拆卸和安装时，无需专业人员和专用工具，即可完成。
- 该泵为顺时针旋转，禁止反向旋转。(从电机后面可以判断旋转方向)

Technical Advantages

- Maintenance disassembly and installation can be completed without professional staff and special tools.
- This pump only rotate clockwise, forbid to rotate counterclockwise. (can check rotation direction from backside of motor)

DJ-BS 系列离心泵各种配置

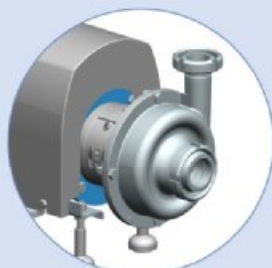
DJ-BS series centrifugal pump various configurations



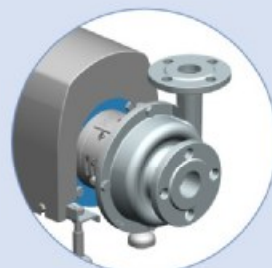
螺纹接口
Thread connection



卡箍连接
Clamp connection



由任螺母
Union nut



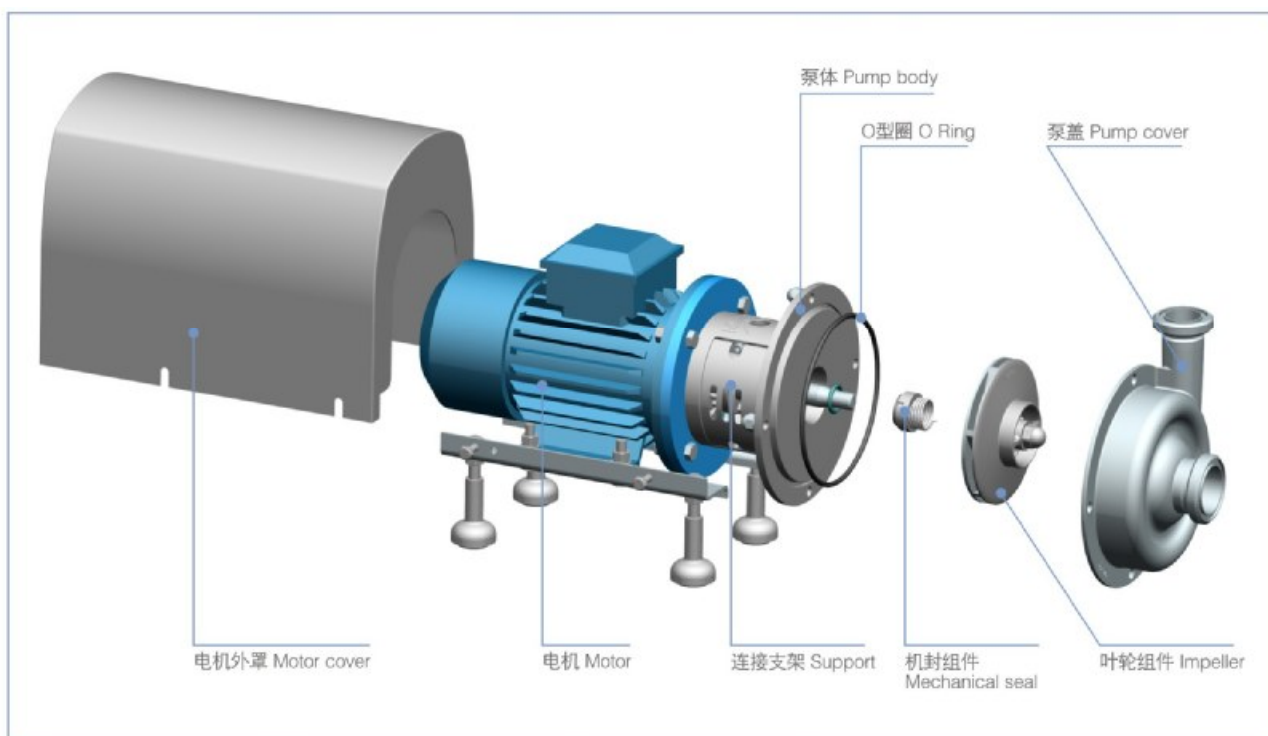
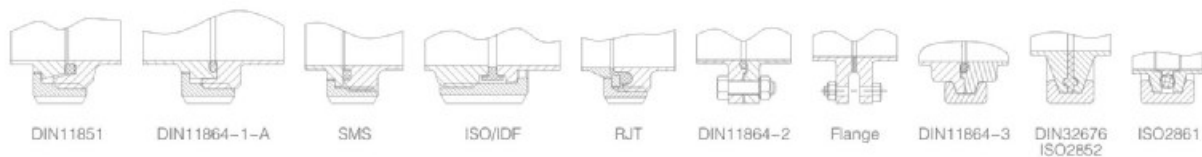
法兰连接进/出口
Flange connection inlet / outlet

泵进口/出口连接标准

连接方式：螺纹、卡箍、法兰、无菌法兰、KF、等。
标准：DIN SMS ISO IDF RJT ASME BPE 3A I-line

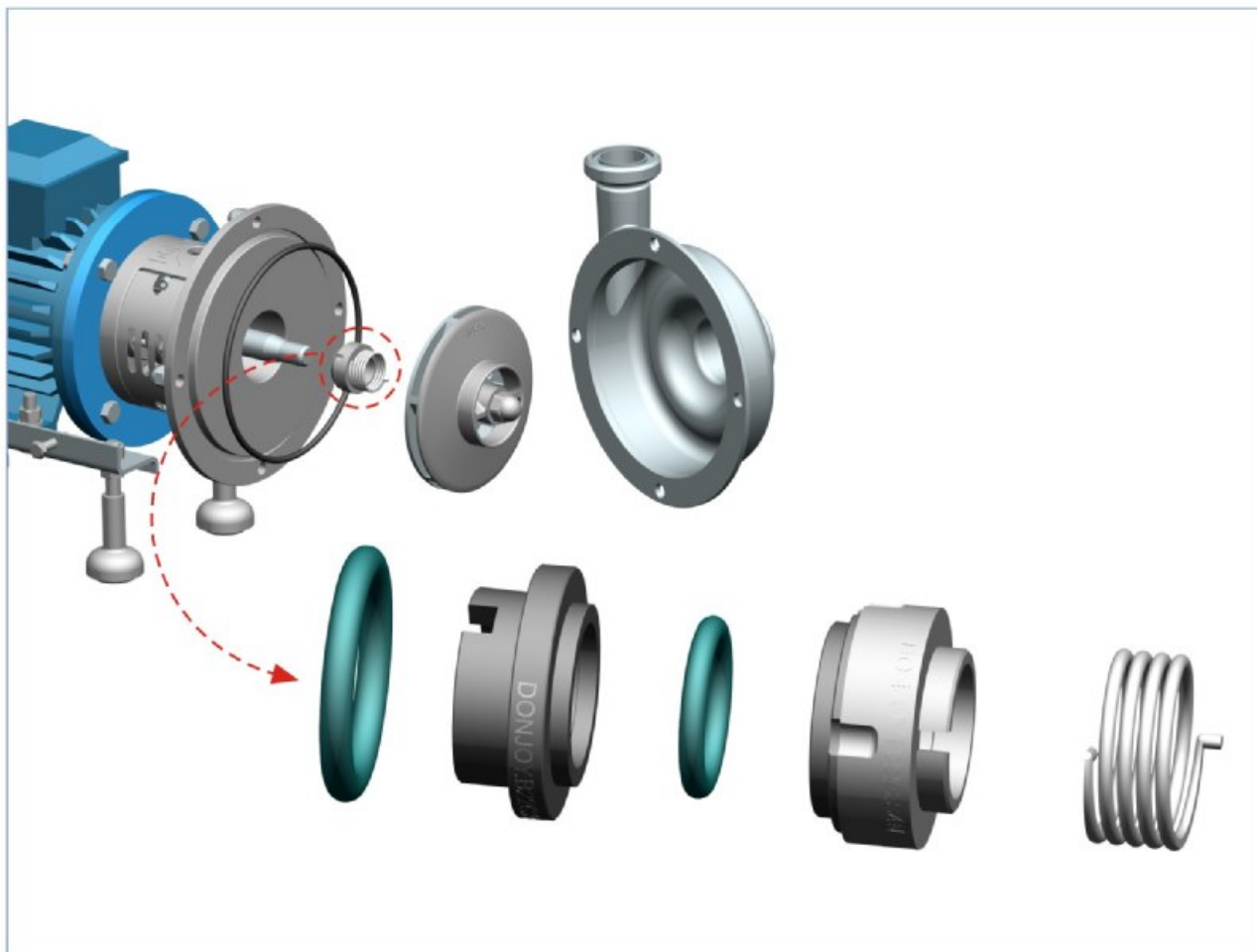
Pump Inlet/outlet Connection Standard

Connection: Thread, Clamp, Flange, Aseptic flange, KF etc.
Standard: DIN SMS ISO IDF RJT ASME BPE 3A I-line



DJ-BS 系列离心泵机封设计

DJ-BS series centrifugal pump mechanical seal design



机封系统

DONJOY DJ-BS 系列离心泵机封，联合欧洲瑞典著名公司合作研发，机封设计具有压力平衡设计、超长使用寿命、极易拆装维护、无需特殊专用工具，卫生洁净符合和认证：欧盟EHEDG,美国 3-A-02-11, FDA1772600等高洁净要求。并有丰富的机封配置方案。

Mechanical Seal Features

Donjoy DJ-BS series centrifugal pump mechanical seal is researched and developed together with European Swedish famous company. The mechanical seal is designed with pressure balance and super long working life, can be disassembled and maintained easily without special tools. The sanitary purity is according to EU EHEDG, USA 3-A-02-11, FDA1772600 and so on. and has lots of configuration.

机封配置 Mechanical Seal Configuration

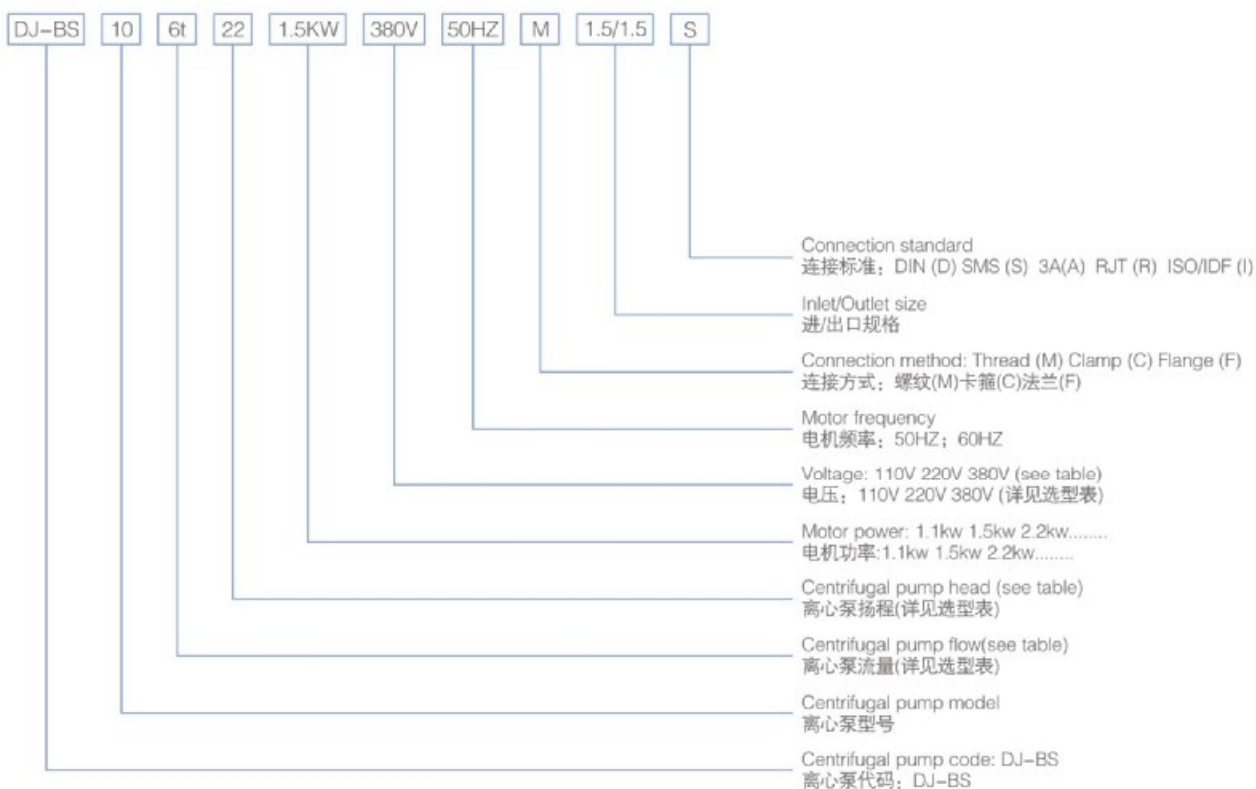
- 1)SIC/C/EPDM
- 2)SIC/C/FKM
- 3)SIC/C/HNBR
- 4)SIC/SIC/EPDM
- 5)SIC/SIC/FKM
- 6)SIC/SIC/HNBR

注意：以上配置适用于单机封

Note: The above machine seal material is suitable for single seal

DJ-BS 系列离心泵型号说明

DJ-BS series centrifugal pump model instruction



举例 For example:
 DJ-BS-10-6T-22-1.5KW-380V-50HZ-M-1.5/1.5'-S

DJ-BS 离心泵选型表

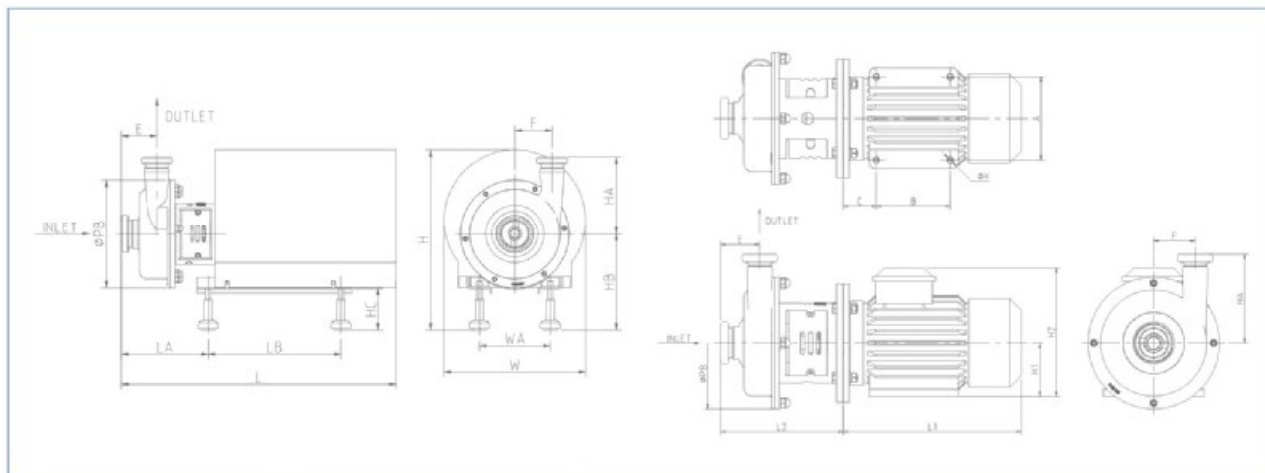
DJ-BS centrifugal pump selection table



型号 Model	功率/电流 Power/current	流量 Flow(m ³ /h)	扬程 Head(M)	进口/出口 Inlet/Outlet
BS-4	2.2KW	20	14	2"/1.5"
	2.2KW	18	18	
	2.2KW	15	21	
	2.2KW	12	23	
	2.2KW	10	24	
	1.5KW	8	25	
	1.5KW	5	25	
BS-6	4KW	29	13	2.5"/2"
	4KW	25	20	
	3KW	20	25	
	3KW	15	27	
	3KW	12	29	
	3KW	10	30	
	3KW	5	32	
BS-10	5.5KW	35	19	3"/2"
	5.5KW	30	26	
	4KW	25	26	2.5"/2"
	4KW	20	29	
	4KW	15	31	
	3KW	10	34	
	3KW	5	36	
BS-12	5.5KW	40	25	3"/2"
	5.5KW	35	29	
	5.5KW	30	31	
	5.5KW	25	31	2.5"/2"
	4KW	20	33	
	4KW	15	35	
	3KW	10	37	

DJ-BS 离心泵数据图

DJ-BS centrifugal pump data chart



防护罩离心泵 Centrifugal pump with cover

BS 系列 Series	外形安装尺寸 Assembly Dimension											进/出口连接方式 (Inlet / outlet connection)											
	功率 Power (KW)	进口 Inlet d"/DN	出口 Outlet d"/DN	ΦPB	F	LB	H	HB	HC	W	WA	SMS螺纹连接 SMS threaded connection				INCH卡箍连接 INCH clamp connection				DIN螺纹连接 DIN threaded connection			
												E	LA	L	HA	E	LA	L	HA	E	LA	L	HA
BS-4	1.5-2.2KW	2"	1.5"	222	70	240	359	189	95	260	140	66	183	548	150	59	175.7	541	143	66	183	548	150
BS-6	3KW	2.5"	2"	245	84.3	300	413	218	95	320	160	80	196	620	174	69	184.7	609	167	81	197	621	174
	4KW	2.5"	2"	245	84.3	300	418	211	95	340	190	80	203	620	174	69	191.7	609	167	81	204	621	174
BS-10	4KW	2.5"	2"	245	84.3	300	418	211	95	340	190	80	203	620	174	69	191.7	609	167	81	204	621	174
BS-12	5.5-7.5KW	3"	2"	245	84.3	330	466	231	95	380	216	81	213	693	174	69	200.7	681	167	81	214	693	174

DJ-BS离心泵数据图(不带外罩) DJ-BS centrifugal pump data chart (Without cover)

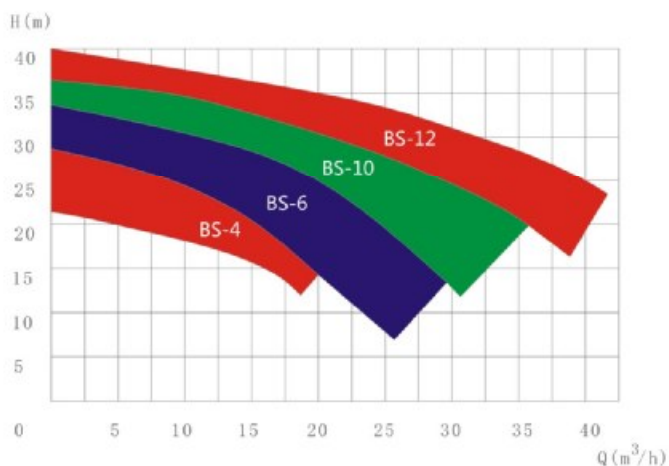
BS 系列 Series	外形安装尺寸 Assembly Dimension												进/出口连接方式 (Inlet / outlet connection)								
	功率 Power (KW)	进口 Inlet d"/DN	出口 Outlet d"/DN	ΦPB	F	L1	A	B	C	K	H1	H2	SMS螺纹连接 SMS threaded connection			INCH卡箍连接 INCH clamp connection			DIN螺纹连接 DIN threaded connection		
													E	L2	HA	E	L2	HA	E	L2	HA
BS-4	1.5KW	2"	1.5"	222	70	285	140	100	56	10	90	217	66	207	150	59	199.7	143	67	208	150
	2.2KW	2"	1.5"	222	70	301	140	125	56	10	90	217	66	207	150	59	199.7	143	67	208	150
BS-6	3KW	2.5"	2"	245	84.3	316	160	140	63	12	100	240	80	238	174	69	226.7	167	79	237	175
	4KW	2.5"	2"	245	84.3	351	190	140	70	12	112	252	80	238	174	69	226.7	167	79	237	175
BS-10	4KW	2.5"	2"	245	84.3	351	190	140	70	12	112	252	80	238	174	69	226.7	167	79	237	175
BS-12	5.5-7.5KW	3"	2"	245	84.3	399	216	140	89	12	132	301	81	239	174	69	226.7	167	81	239	175

注意：以上数据图相关尺寸不作为实物最终依据，东正保留对于数据更新权限不再另行通知。
 Note: The relevant dimensions of the above data diagrams are not regarded as the final basis of the actual object.
 Dongzheng reserves the right to update the data without further notice.

DJ-BS 系列离心泵曲线图

DJ-BS series centrifugal pump graph

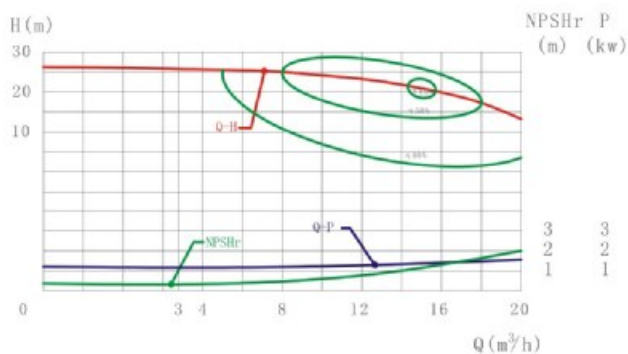
闭式(BS)泵(Q-H曲线图Graph)



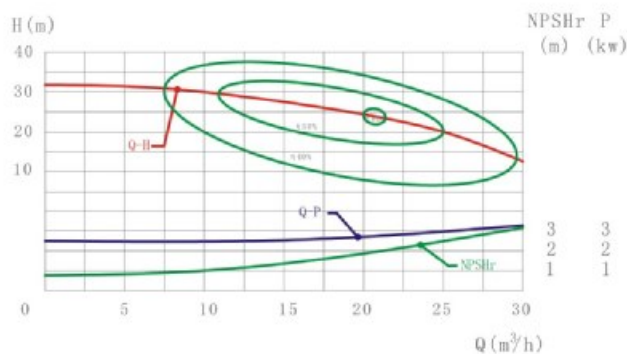
测试条件: 介质清水, 温度20°C, 叶轮转速2900 R.P.M
(此曲线图亦适用电机60Hz, 叶轮转速3600R.P.M) Q-流量(m³/H),
H-扬程(M), P-功率(KW), η%-泵效率。

Testing condition: medium water, temperature 20 °C, impeller speed 2900 RPM (This graph also applies to motor 60Hz, impeller speed 3600RPM) Q-Flow rate (m³/H), H-head (meter), P-power (KW), η%-pump efficiency

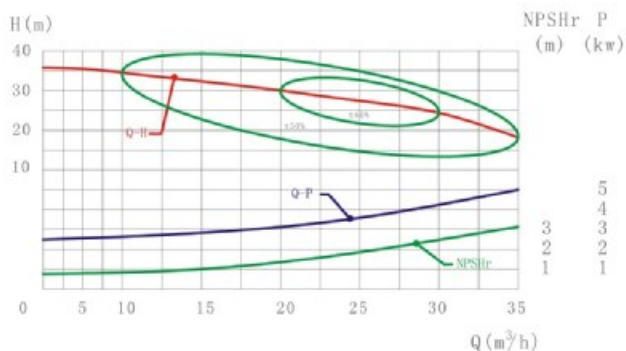
BS-4(Q-H曲线图Graph)



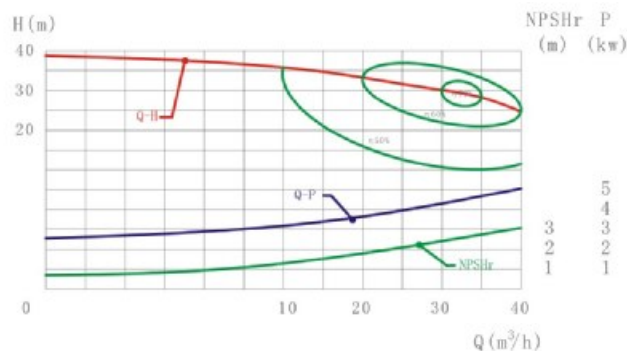
BS-6(Q-H曲线图Graph)



BS-10(Q-H曲线图Graph)



BS-12(Q-H曲线图Graph)





DONJOY looking forward to your visit! Your telecommunications!



东正科技有限公司 DONJOY TECHNOLOGY CO., LTD

地址: 温州空港新区港富路25号
总机: 0577 8699 0888
传真: 0577 8699 8000

ADD: No.25 Gangfu Road, Konggang
New District, Longwan, Wenzhou, China
TEL: +86 577 8699 0888
FAX: +86 577 8699 8000
E-mail: donjoy@cndonjoy.com

www.cndonjoy.com

法律声明:

目录样册版权归东正所有, 如有抄袭, 必将追究其法律责任和经济赔偿。
东正已获得国家版权局书刊号。东正诸多产品技术, 都具有专利保护, 如有抄袭, 必将追究法律责任和经济赔偿。

Legal statement:

Copyright of the catalogue belongs to Donjoy. If there is plagiarism, it will be investigated for legal responsibility and economic compensation. Donjoy has been granted publications number by Chinese National Copyright. Donjoy products and technology are with patent protection. If there is plagiarism, it will be investigated for legal responsibility and economic compensation.