

球阀  
Ball valve



国家高新技术企业 浙江省著名商标  
[www.cndonjoy.com](http://www.cndonjoy.com)



东正一直致力于重大技术进步，是您值得信赖的事业伙伴！  
Donjoy committing to major technological advances, is your reliable business partner!

0.1	自控调节阀+控制器 Automatic control regulating valve +Control head
0.2	生物制药隔膜阀 Biopharmaceutical diaphragm valve
0.3	高洁净泵 High purity pumps
0.4	防混蝶阀+蝶阀 Mixing proof butterfly valve +Butterfly valve
0.5	球阀 Ball valve
0.6	截止换向阀+防混阀+罐底阀 Divert seat valve+Mixing proof valve +Tank bottom valve
0.7	角座阀+截止阀 Angle seat valve+Globe valve
0.8	止回阀+恒压阀+安全阀+减压阀 Check valve+constant pressure valve+safety valve +air release valve
0.9	清洁技术+取样阀+视镜+照明技术 Clean technology+sample valve+sight glass +lighting technology
0.10	过滤器+人孔 Filter+man hole cover(manway)
0.11	卫生管件 Sanitary fittings ASME BPE DIN11852 B94825 SMS ISO IDF 3A



注意：  
目录技术资料仅供设计参考，  
设计更新和技术升级恕不另行通知！

不断革新的技术、日新月异的市场发展和客户需求是当今我们面临的巨大挑战。面对这些挑战我们信心十足，因为东正高度专业化的产品和技术创新，是我们未来将以更高、更优的产品来满足不断增长的市场需求。

Technological innovation, rapid development of the market and customer needs are the greatest challenges facing us today. Facing with these challenges we are confident, because of highly professional products and technological innovation, we will meet the growing demand of market and customer with our better and better products.

法律声明：  
目录样册版本属东正所有，如有抄袭东正将追究其法律责任和经济赔偿。  
东正众多技术设计，都具有专利保护，如有抄袭，东正必将追究法律责任和经济赔偿。

# 领先源于创新 创新源于专业

## 东正的专业与品质的邂逅源于创新的精神



现代化工厂已经投产，期待您的光临！  
温州空港经济园区生产基地  
Wenzhou airport economic zone production base

占地面积29000m<sup>2</sup>，总投资1.2亿元，新引进ABB工业机器人、日本马扎克5轴加工中心、ABB机器人抛光设备。

Covering an area of 29000 m<sup>2</sup>, with total investment after construction is expected to 120 million yuan, introduces new ABB industrial robot, Japan mazar-e-sharif grams of five axis machining center, ABB machine Polishing equipment.

东正创立于1993年，注册资金5508万，是一家专注于研发高品质PID过程控制器、阀门定位器、流量控制器，阀门控制单元，高洁净过程控制阀、智能自控阀，高洁净泵、高洁净管材和管道配件。公司高度专业化的产品和技术专注于生物制药、食品饮料、酿酒、精细化工等工业领域。东正众多的创新解决方案，对满足全球，尤其是新兴市场不断增长生物制药和食品饮料行业的需求起到了积极作用。

东正制造的产品母材料、加工技术、焊接技术、表面处理等技术指标均已达到国内外先进水平。且符合ASME BPE、EHEDG、FDA、3A等一系列国际标准和规范要求，先后通过了由德国TÜV机构实施的欧盟承压设备指令(PED-97/23/EC)和(MD-06/42/EC)认证、美国3A机构实施的3-A卫生标准认证、中国安全阀特种制造设备(TS)许可证和中国质量认证中心CQC ISO9001:2008质量管理体系认证等多项国际权威认证。

东正凭借先进的技术、优异的品质和完善的售后服务体系，先后被评定为国家高新技术企业，省著名商标、省科技型企业、创新型企业、专利示范企业、研发中心企业，守合同重信用AAA企业等众多荣誉。

# 关于东正 About DONJOY

Donjoy was built up in 1993, with registered capital RMB 55,08 millions. We focus on developing high quality PID process controller, the valve positioner, the flow controller, the valve control unit, high purity process control valve, intelligent self-control valve, high purity pump, high purity tubing fitting and pipeline accessories. Donjoy's products and technologies are widely used in biopharmaceutical, food, drink, wine fine chemicals and other industrial fields. Donjoy's innovation solutions meet the growing demand of the industry of biopharmaceutical, food and beverage from the whole world, especially the emerging market.

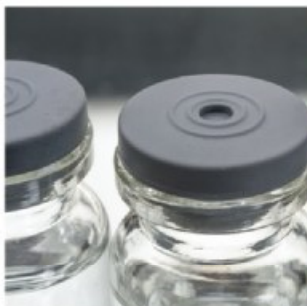
Raw material, processing technology, welding technology, surface treatment from Donjoy have achieved advanced levels of domestic and foreign market. Donjoy productions according to ASME BPE, EHEDG, FDA and 3A standard, get certificate of PED-97/23/EC and MD-06/42/EC issued by TUV, 3A issued by 3A organization, TS licence and ISO9001:2008.

Donjoy with advanced technology, excellent quality and perfect after-sales service system, has been assessed as the national high-tech enterprises, the Provincial Famous Trademark, the Provincial Science and Technology Enterprises, Innovative Enterprises, Patent Model Enterprises, R & D Center, AAA Credit Enterprises.



创立于2005年现代化工厂  
温州滨海经济开发区生产基地  
Wenzhou binhai economic development zone production base

**DONJOY high-purity valve, pump, control system, pipe and accessories, provide the most excellent solution for various business scopes.**



Biopharmaceutical



Dairy



Food



Beverage



Water Processing



Brewing



Fine Chemical

# 制造与检验 Manufacturing and testing



机器人生产线 Robot production line

全自动弯管设备 Automatic pipe bending equipment

DONJOY以科学技术是第一生产力，也是企业核心竞争力，只有不断投入核心技术研发和创新，不断追求卓越，精益求精、以先进生产设备，严格的质量管理体系，精密的生产检测流程，保证每一款产品优良的性能。

Science and technology constitute a primary productive force, also the core competitive strength of the enterprise. Continuously intensifying the research, development and innovation of core technology, pursuing prominence and keeping improving, ensuring the excellent quality and performance of every single product by advanced production equipment, strict quality control and precise production and inspection procedures.

# 荣誉与资质

## Honor and qualification

	<p><b>3A</b></p> <p>东正是美国3A认证组织的金牌赞助商，3A是一个自愿组织，致力于维护公共卫生和奶制品产品质量通过独特的行业监管程序的设备，用于处理乳制品的卫生标准3A认证。 东正通过认证产品，阀门系列55-02-1783、64-00-1784、84-02-1786、85-03-1787、53-06-1782、54-02-1580、68-00-1785，管件(63-03)证书号(1581)等多种规格型号。</p>
	<p><b>PED/97/23/EC &amp; MD/06/42EC</b></p> <p>东正通过了TUV 欧共体压力设备97/23/EC质量保证模式H&amp;材料(管件)制造认证。 阀门证书 NO.CE 0036 泵类证书 NO.705201402401-00</p>
	<p><b>FDA177.2600</b></p> <p>东正生产的阀门和泵以及流体设备等，与物料接触密封圈全部通过或符合美国食品和药品管理局和联邦法规第21条即，CRF 21 FDA177.2600和FDA177.1550认证，其涵盖： EPDM VITON(FPM) SILICON HNBPTFE橡胶塑料材料等。</p>
	<p><b>ISO9001/2008</b></p> <p>东正通过中国质量认证中心CQC，ISO9001-2008/GB/T19001-2008企业质量管理体系认证。其证书编号: 00108Q24215R1M/3302</p>
	<p><b>卫生许可证</b></p> <p>东正通过了省卫生厅卫生阀门、卫生管件等检验，且获得了其颁发的证书，其编号: So083。 其许可证为国家出台的生活饮用水卫生监督管理方法证书。</p>
	<p><b>高新技术企业</b></p> <p>东正通过多年发展和技术创新已获得了多项国家发明专利，100多项实用新型专利，现已成为国家高新技术企业。</p>
	<p><b>浙江省著名商标</b></p> <p>东正09年获得了温州市著名商标，2012年获得了浙江省著名商标。</p>

DONJOY不但拥有以上认证和荣誉，且被评定为省科技型、创新型、专利示范、研发中心、守合同守信用企业等众多的荣誉证书。

# 蝶式球阀

## Butterfly-type ball valve



### 应用

- ◆该蝶式球阀使用于任何过程控制的管道和设备上，特别适用于酿酒工业发酵罐上。

### Applications

- ◆The butterfly-type ball valve is installed in any to pipeline and equipments for controlling. It is specially used in brewing industry.

### 操作原理 Operating principles

- ◆无需维护
- ◆比其他的阀门更小更轻
- ◆操纵扭矩小
- ◆可排泄
- ◆垫圈根据FDA 177.2600
- ◆不管流体是何流向，手柄可以安装在侧边的阀体上。
- ◆不管是何种连接方式，阀体都可进行更换，而不会改变阀门的总长度。
- ◆Free maintenance
- ◆Portable and compact
- ◆Small torquemoment
- ◆Drainable
- ◆Gasket complies with FDA 177.2600
- ◆Handle can be installed on the side of the valve body, no matter of the flow direction.
- ◆Valve body can be replaced in any connections. And the length will not change.



## 材质 Materials

- ◆物料接触部位: AISI304/316L
- ◆垫圈: EPDM(标准)
- ◆球座: PTFE
- ◆内表面Ra0.8 μm
- ◆内表面: CNC车床加工
  
- ◆Part contacted with media:AISI304/316L
- ◆Gasket: EPDM(Standard)
- ◆Seal: PTFE
- ◆Inner side polish: Ra0.8 μm
- ◆Out side polish: CNC lathe machining

## 选项 Options

- ◆连接: 螺纹、卡箍、焊接、DIN、SMS、IDF、RJT、FIL
- ◆垫圈: NBR、VITON(FPM)、SILICON FDA 177.2600
- ◆位置传感器手柄, 多定位手柄, 拉杆手柄
- ◆铝制气动执行、不锈钢气动、电动执行器
- ◆智能控制器(C-TOP): AS-I 总线连接、电子连接
  
- ◆Connection ends:thread,clamp,weld,DIN,SMS,IDF,RJT,FIL
- ◆Gasket:NBR, VITON(FPM), Silicone FDA 177.2600
- ◆Manual: Muti-position handle, Pulling Stainless steel handle
- ◆Pneumatic: Aluminum electric actuator
- ◆Stainless steel electric/pneumatic actuator
- ◆Intelligent C TOP controls:AS-I connection, Electronic connection

## 技术规范

- ◆最大温度: 121°C(EPDM)
- ◆压力: 10bar

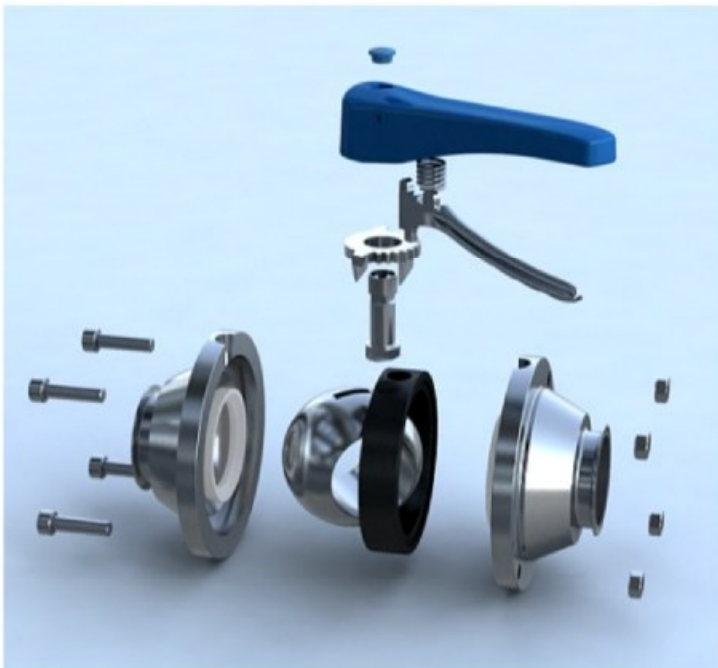
## Technical specification

- ◆Max temperature: 121°C(EPDM)
- ◆Pressure: 10bar

## 蝶式球阀扭矩表, 单位 (N.M)

SIZE	1"-3/4"	DN25/1"	DN32-1 1/4"	DN40/1.5"	DN50/2"	2.5"-DN65	3"	DN80	4"-DN100
扭矩	6	10	12	14	20	40	75	90	110

注意: 选择执行器建议增加20%安全余量





# 蝶式球阀

## Butterfly-type ball valve



### 电动无滞留球阀

#### Electric stranded ball valve

开关型	Switching type
智能型(4-20mA)	Intelligent(4-20mA)
位置反馈型	Position feedback
电源DC.24V	Power DC.24V



### 气动蝶式球阀+定位器

#### Pneumatic butterfly-type ball valve+positioner

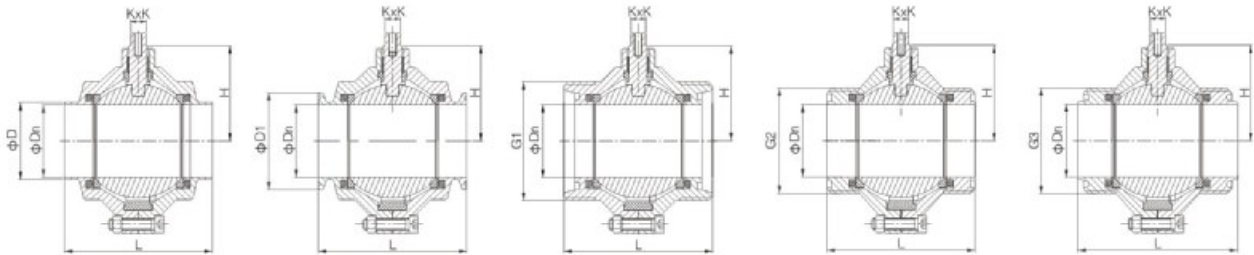
SIZE: 1"-4", DN25-DN100  
 材质: 304/316L  
 电源: DC 24V  
 信号输入: 0/4-20mA, 0/5-10V  
 反馈输出: 4-20mA, 0-10V  
 防护: IP67

SIZE: 1" to 4", DN25 - DN100  
 Material: 304/316L  
 Power supply: DC 24V  
 Signal input: 0/4-20 mA, 0/5-10V  
 Output feedback: 4-20 mA, 0 to 10V  
 Protection: IP67

### 手动蝶式球阀

#### Manual butterfly-type ball valve

SIZE: 1"-4", DN25-DN100  
 工作温度Temperature: -10°C-130°C  
 工作压力pressure: 10bar



焊接式Welding  
NO.VQD100XX

卡箍式Clamp  
NO.VQD110XX

螺纹式(DIN)MALE/MALE  
NO.DIN-VQD130XX

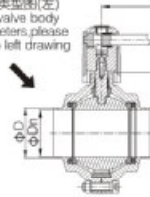
螺纹式(SMS)MALE/MALE  
NO.SMS-VQD130XX

螺纹式(RJT)MALE/MALE  
NO.RJT-VQD130XX

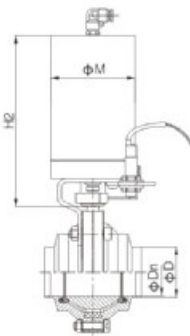
DIN							
SIZE	Dn	D	D1	L	H	K x K	螺纹(DIN) G1
DN10	9.7	13	34	72	40	8 x 8	Rd28 x 1/8"
DN15	16	19	34	72	40	8 x 8	Rd34 x 1/8"
DN20	19	22	34	72	40	8 x 8	Rd44 x 1/8"
DN25	25	28	50.5	72	44.5	8 x 8	Rd52 x 1/6"
DN32	31	34	50.5	83	46.5	8 x 8	Rd58 x 1/6"
DN40	37	40	64	87	55	10 x 10	Rd65 x 1/6"
DN50	49	52	64	101	64	10 x 10	Rd78 x 1/6"
DN65	66	70	91	125	80	11 x 11	Rd95 x 1/6"
DN80	81	85	106	145	93	11 x 11	Rd110 x 1/4"
DN100	97.4	104	119	185	106.5	14 x 14	Rd130 x 1/4"

INCH								
SIZE	Dn	D	D1	L	H	K x K	螺纹(SMS/RJT) G2 G3	
1/2"	9.7	13	25.4	72	40	8 x 8	-	-
3/4"	16.1	19.1	25.4	72	40	8 x 8	Rd36 x 1/8"	-
1"	22.4	25.4	50.5	72	41.5	8 x 8	Rd40 x 1/6"	45.7 x 6TPWHIT
1 1/4"	28.8	31.8	50.5	83	46.5	8 x 8	Rd48 x 1/6"	-
1 1/2"	35.1	38.1	50.5	87	55	10 x 10	Rd60 x 1/6"	58.4 x 6TPWHIT
2"	47.8	50.8	64	101	64	10 x 10	Rd70 x 1/6"	72.7 x 6TPWHIT
2 1/2"	59.5	63.5	77.5	121	75.5	11 x 11	Rd85 x 1/6"	85.4 x 6TPWHIT
3"	72.2	76.2	91	135	85.5	11 x 11	Rd98 x 1/6"	98.1 x 6TPWHIT
4"	97.6	101.6	119	185	106.5	14 x 14	Rd125 x 1/4"	123.5 x 6TPWHIT

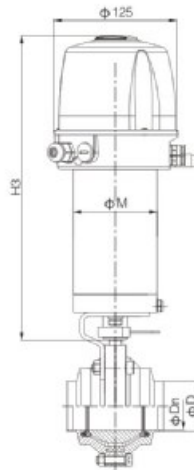
阀体参数请参考  
阀体类型图(左)  
The valve body  
parameters, please  
refer to left drawing



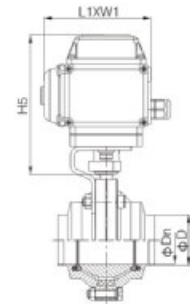
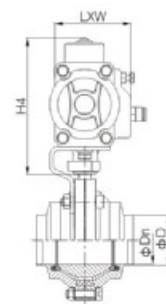
Manual ball valve  
NO.VQD100S1



Pneumatic ball Valve  
NO.VQD100Q1



Pneumatic ball Valve+C-TOP Aluminum pneumatic ball valve  
NO.VQD101Q1 NO.VQD100Q2



Electric ball valves  
NO.VQD100D1

DIN											
SIZE	Dn	D	L1	H1	H2	H3	H4	H5	M	LxW	L1xW1
DN10	9	12	126	43.5	172.5	309	140	141	86	158x71	165x120
DN15	15	18	126	43.5	172.5	309	140	141	86	158x71	165x120
DN20	19	22	126	43.5	172.5	309	140	141	86	158x71	165x120
DN25	25	28	126	43.5	172.5	309	140	141	86	158x71	165x120
DN32	31	34	126	43.5	172.5	309	140	141	86	158x71	165x120
DN40	37	40	133	47.5	172.5	309	157	141	86	158x71	165x120
DN50	49	52	144	47.5	172.5	309	157	141	86	190x81	212x134
DN65	66	70	160	50	248	385	192	184	113	213x98.5	212x134
DN80	81	85	257	52.5	285	422	204	208	133	259x108.5	259x166
DN100	100	104	397	52.5	306	431	230	208	166	259x108.5	259x166

INCH(3A、SMS、ISO/IDF、RJT、DS)											
SIZE	Dn	D	L1	H1	H2	H3	H4	H5	M	LxW	L1xW1
1/2"	9.7	12.7	126	43.5	172.5	309	140	141	86	158x71	165x120
3/4"	16.1	19.1	126	43.5	172.5	309	140	141	86	158x71	165x120
1"	22.4	25.4	126	43.5	172.5	309	140	141	86	158x71	165x120
1 1/4"	28.8	31.8	126	43.5	172.5	309	140	141	86	158x71	165x120
1 1/2"	35.1	38.1	133	47.5	172.5	309	157	141	86	158x71	165x120
2"	47.8	50.8	144	47.5	172.5	309	157	141	86	190x81	165x120
2 1/2"	59.5	63.5	160	50	248	385	192	184	113	207x94	165x120
3"	72.2	76.2	257	52.5	285	422	204	208	133	213x98.5	212x134
4"	97.6	101.6	397	52.5	306	431	230	208	166	259x108.5	259x166

# 无滞留球阀

## Non-retention ball valve



### 应用

- ◆该球阀根据3A ASME BPE标准设计，主要应用于生物制药、食品饮料、酿酒、化工等工业领域。

### 技术特点

- ◆全包式球座设计，无滞留高洁净，满足CIP/SIP杀菌和清洗要求，耐高温180℃ 压力30bar 自动补偿密封设计，具有扭矩小，寿命长等特点。
- ◆可配置各种执行结构，如电动、卧式气动、不锈钢立式气动、钥匙手动手柄，还可以加装控制单元、定位器、位置传感器等可兼容自动控制系统。

### Applications

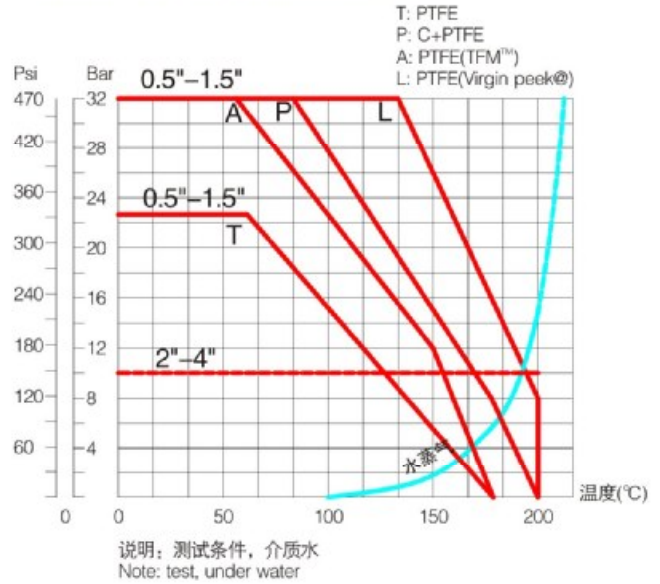
- ◆The ball valve according to 3A and ASME BPE standard design, mainly used in pharmaceutical, food and beverage, wine, chemical and other industries..

### Technical characteristics

- ◆All-inclusive tee design, no stranded high clean, meet the requirement of CIP and SIP sterilization and cleaning, and heat resistance of 180 °C, the highest pressure 30 bar, automatic compensating sealing design, the advantages of small torque, long service life, etc.
- ◆Available with a variety of structures, such as electric pneumatic, stainless steel, horizontal vertical pneumatic, key manually handle, can also be equipped with the control unit, locator, position sensor and other compatible automatic control system.



球阀压力-温度曲线图  
Pressure And Temperature Curve



直通无滞留球阀扭矩表, 单位 (N.M)

SIZE	1"-3/4"	DN25/1"	DN32-1 1/4"	DN40/1.5"	DN50/2"	2.5"-DN65	3"	DN80	4"-DN100
扭矩	6	10	12	14	20	40	75	90	110

注意: 选择执行器建议增加20%安全余量

表面处理

- ◆所有的表面CNC 0.8μm 达到RA0.4μm 电抛光 可达到0.25μm

Surface finish

- ◆CNC machining all surfaces to 0.8μm, polishing can be achieved RA0.4μm, electro-polishing can reach 0.25μm

Conversion Table of Surface Finishes

Surface Designation		Mechanically Polished			
ASME BPE	GRIT	Ra Average		Ra Max	
		μ-in	μ-m	μ-in	μ-m
SFV 1	GRIT 320	15	0.375	20	0.50
SFV 2	GRIT 240	20	0.50	25	0.625
SFV 3	GRIT 180	25	0.625	30	0.75

Surface Designation		Mechanically and Electropolished			
ASME BPE	GRIT	Ra Average		Ra Max	
		μ-in	μ-m	μ-in	μ-m
SFV 4	GRIT 320	10	0.25	15	0.375
SFV 5	GRIT 240	15	0.375	20	0.50
SFV 6	GRIT 180	20	0.50	25	0.625

# 无滞留球阀 Non-retention ball valve



**气动三片无滞留球阀**  
Pneumatic three-piece non-retention ball valve

规格: 1/2"-4", DN10-DN100  
可选配位置反馈

Size: 1/2"-4", DN10-DN100  
Optional position feedback



**气动球阀-MINI C-TOP**  
Pneumatic ball Valve +MINI C-TOP

SIZE: 1/2"-1", DN10-DN25



**气动无滞留球阀+定位器**  
Pneumatic non-retention ball valves+valve positioner

规格: 1/2"-4", DN10-DN100  
输入: 0/4-20mA, 0-5/10V  
输出: 0/4-20mA, 0-5/10V(位置反馈)  
总线: DEVICE NET BUS 通讯  
单作用/双作用

Size: 1/2"-4", DN10-DN100  
Input: 0/4-20mA, 0-5/10V  
Output: 0/4-20mA, 0-5/10V  
(Position feedback)  
Bus: DEVICE NET BUS  
Single/double action



**气动球阀+控制单元**  
Pneumatic ball Valve+C-TOP

电源: DC 24V ± 10%  
PLC连接自动化控制  
单作用/双作用  
基本版: 接线端子连接  
总线: AS-I 总线 通讯(选项)

Power: DC 24V ± 10%  
PLC Connection automatically control  
Single/double action  
Basic version: terminal block  
Bus version: AS-I DEVICE NET  
BUS(options)

**电动无滞留球阀**  
Electric non-retention ball valve

开关型	Switching type
智能型(4-20mA)	Intelligent(4-20mA)
位置反馈型	Position feedback
电源 DC.24V	Power DC.24V



**卧式气动无滞留球阀+定位器**  
**Pneumatic non-retention ball valves+valve positioner**

规格: 1/2"-4", DN10-DN100  
 输入: 0/4-20mA, 0-5/10V  
 输出: 0/4-20mA, 0-5/10V(位置反馈)  
 总线: DEVICE NET BUS 通讯  
 单作用/双作用

Size: 1/2"-4", DN10-DN100  
 Input: 0/4-20mA, 0-5/10V  
 Output: 0/4-20mA, 0-5/10V  
 (Position feedback)  
 Bus: DEVICE NET BUS  
 Single/double action



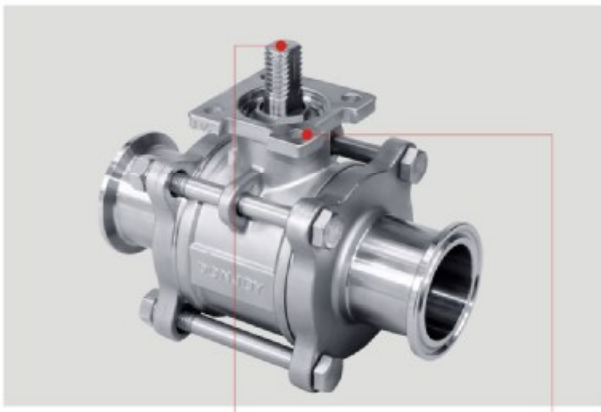
规格: DN10-DN100  
 材质: 304/316L  
 工作温度: -10°C-150°C  
 气源压力: 4-7bar  
 连接方式: 卡箍、焊接、法兰、螺纹

SIZE: DN10-DN100  
 Material: 304/316L  
 Working temperature: -10 °C to 150 °C  
 Air pressure: 4 to 7 bar  
 Connection mode: clamp, welding,  
 flange, screw thread

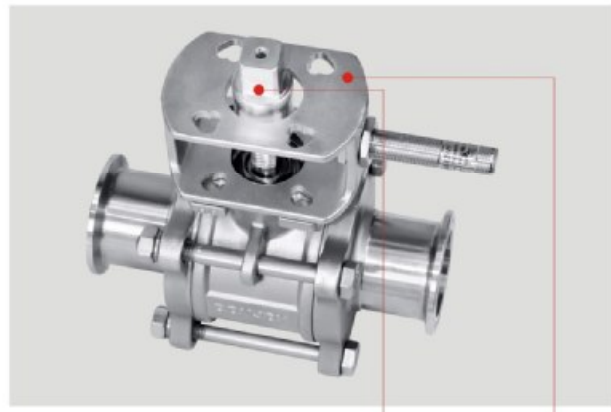


**气动三片式无滞留球阀**  
**Pneumatic three-piece non-retention ball valve**

整体CNC加工, 外观具有无死角。  
 SIZE: 1/2", DN10-DN50  
 材质: 304/316L



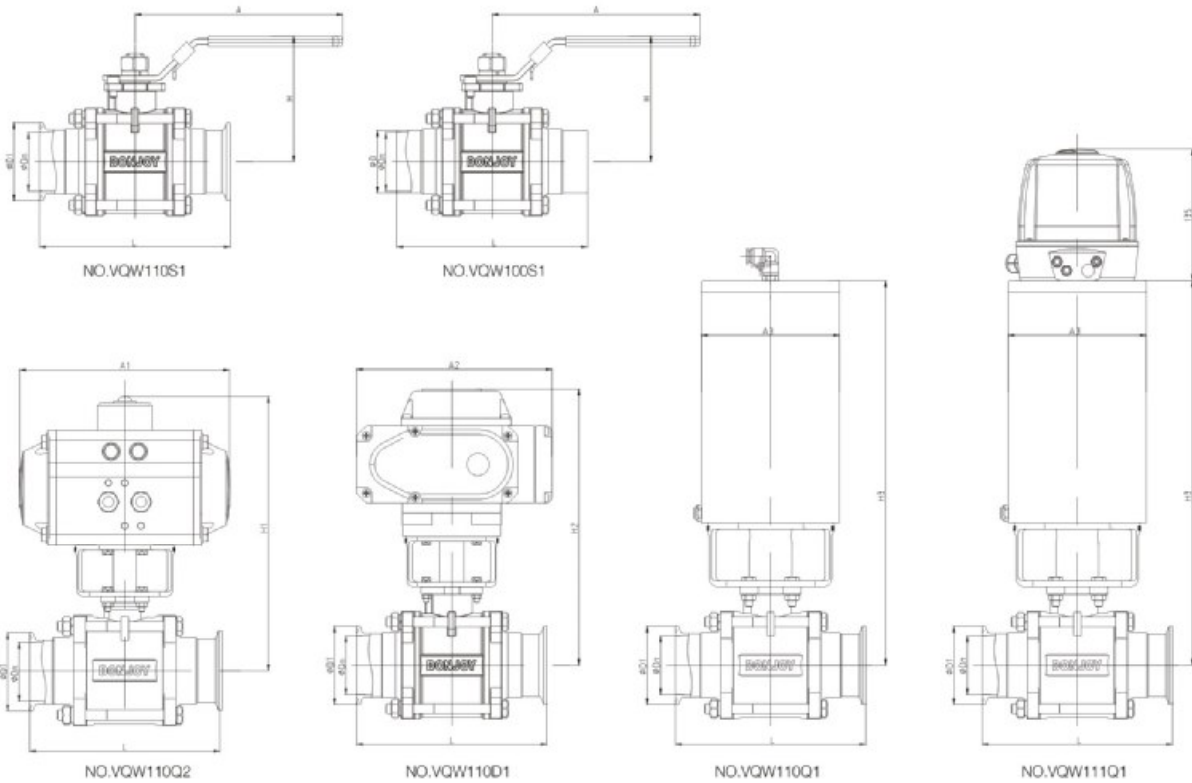
SIZE	A	ISO5211
0.5"-1 1/4"	6	F04
1.5"-2"	10	F05
2.5"-3"	12	F07
4"	12	F10



SIZE	A*A	ISO5211
1/2"-3/4"	11*11	F04-05
1"-1.5"	14*14	F04-05
2"	17*17	F05-07
2.5"-3"	22*22	F05-07
4"	27*27	F07-10

注意: 可任意配置各种执行机构球阀

# 无滞留球阀 Non-retention ball valve

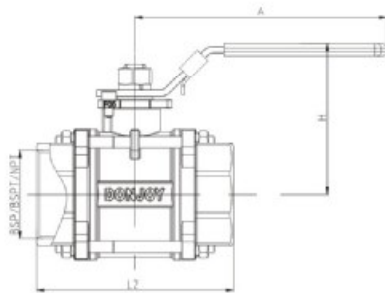


## INCH

SIZE	ISO5211	$\phi D_n$	$\phi D$	$\phi D1$	L	H	A	H1	A1	H2	A2	H3	A3	AA对边
0.5"	F04	9.7	12.7	25.4	89	75	163	175.5	158	220	165	226	86	6
0.75"	F04	16.1	19.1	25.4	89	75	163	175.5	158	220	165	226	86	
1"	F04	22.4	25.4	50.5	114	78	163	179	158	223	165	230	86	
1.25"	F04	28.8	31.8	50.5	117	83	163	198	190	228	165	235	86	
1.5"	F05	35.1	38.1	50.5	142	94	164	206	190	236	165	243	86	10
2"	F05	47.8	50.8	64	156	99	164	237	207	255	165	315	113	
2.5"	F07	59.5	63.5	77.5	197	116	236	257	207	272	212	332	113	12
3"	F07	72.2	76.2	91	221	127	236	274	213	314	212	380	133	
3.5"	F07	85	89	106	229	133	236	291	259	354	259	386	133	
4"	F10	97.6	101.6	119	241	150	236	308	259	371	259	423	166	

## DIN

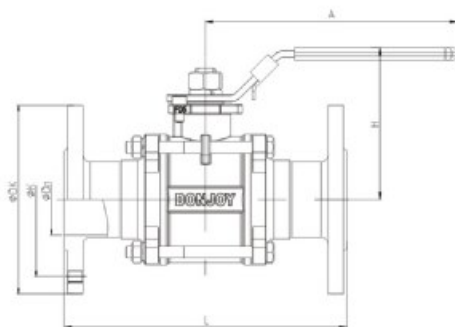
SIZE	ISO5211	$\phi D_n$	$\phi D$	$\phi D1$	L	H	A	H1	A1	H2	A2	H3	A3	AA对边
DN10	F04	9	12	34	89	75	163	175.5	158	220	165	226	86	6
DN15	F04	15	18	34	89	75	163	175.5	158	220	165	226	86	
DN20	F04	19	22	34	89	75	163	175.5	158	220	165	226	86	
DN25	F04	25	28	50.5	114	78	163	179	158	223	165	230	86	
DN32	F04	31	34	50.5	117	83	163	198	190	228	165	235	86	10
DN40	F05	37	40	50.5	142	91	164	206	190	236	165	243	86	
DN50	F05	49	52	64	156	99	164	237	207	255	165	315	113	12
DN65	F07	66	70	91	207	122	236	269	213	309	212	338	113	
DN80	F07	81	85	106	229	133	236	291	259	354	259	386	133	
DN100	F10	100	104	119	241	150	236	308	259	371	259	423	166	



NO. VQW120S1

#### 内螺纹球阀 Thread ball valve

SIZE	ISO5211	L2	H	A	G	BSPT	NPT
0.5"	F04	79	75	163	1/2"	1/2"	1/2"
0.75"	F04	83	75	163	3/4"	3/4"	3/4"
1"	F04	90	78	163	1"	1"	1"
1.25"	F04	107	83	163	1.25"	1.25"	1.25"
1.5"	F05	114	91	164	1.5"	1.5"	1.5"
2"	F05	133	99	164	2"	2"	2"
2.5"	F07	157	116	236	2.5"	2.5"	2.5"
3"	F07	179	127	236	3"	3"	3"



NO. VQW140S1

#### 法兰球阀 Flanged Ball Valve

SIZE	ISO5211	$\Phi D_n$	$\Phi D_k$	$\Phi K$	n- $\Phi d$	L	H	A
DN15	F04	15	95	65	4-14	130	75	163
DN20	F04	19	105	75	4-14	150	75	163
DN25	F04	25	115	85	4-14	160	78	163
DN32	F04	31	140	100	4-18	180	83	163
DN40	F05	37	150	110	4-18	200	91	164
DN50	F05	49	165	125	4-18	230	99	164
DN65	F07	66	185	145	4-18	250	122	236
DN80	F07	81	200	160	8-18	280	133	236
DN100	F10	100	220	180	8-18	320	150	236



# 罐底球阀

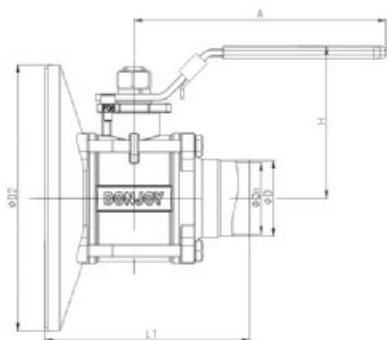
## Ball valve at the tank bottom



### 应用

### Applications

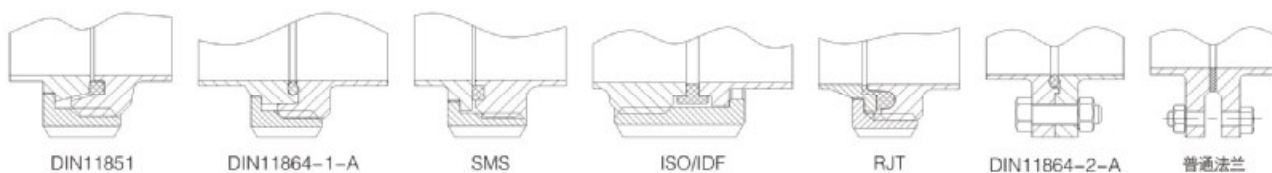
- ◆ The ball valve is a specially designed applied to pressure vessels and equipment, including tank emptying and feeding of tank bottom valve, turnkey tee and sealing automatic compensation design, therefore, with the high pressure and high temperature resistant, torque, etc, the characteristics of long service life, content with CIP and SIP cleaning and sterilization. Very suitable for application in high clean technology system such as biological pharmacy, food and beverage, dairy products, chemical and other fields.
- ◆ A configurable various actuators, such as electric, pneumatic, manual interchangeable.



罐底三片式无滞留球阀  
NO.VQW120S1-06

SIZE	ISO5211	φDn	φD	φD2	L1	H	A
DN40	1.5"	F05	35.1	38.1	140	121	91
DN50	2"	F05	47.8	50.8	140	136	99
DN65	2.5"	F07	59.5	63.5	180	164	236
DN80	3"	F07	72.2	76.2	200	184	236

### 各种进出口连接方式



# 三通无滞留球阀

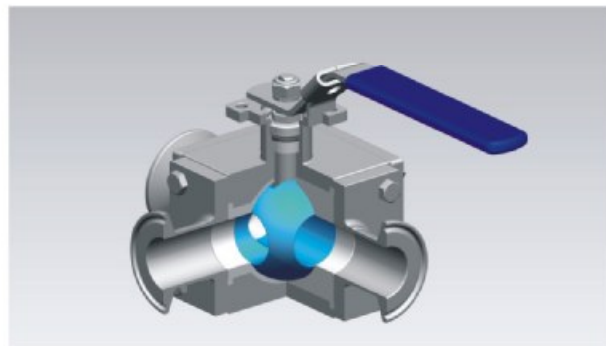
## Three-way non-retention ball valve



### 应用 Applications

该阀卫生设计，在食品加工、饮料、果汁、酿酒、生物制药等领域有着广泛的应用。三通球阀，具有非常灵活的组合，例如，L型和T型可在现场更换，进出口方向可任意组合变化都保证零死角、零滞留。

The hygienic design of the valve is widely used in the field of food processing, beverages, fruit juices, wine, biopharmaceutical and vary flexible body combinations For example, L-Port or T-Port can be interchangeable on-site Inlet, outlet to be any combination of changes can guarantee dead angle, no retention.



### 技术规范 Technical Specifications

规格: 1"-4", DN25-DN100

材质: 1.4301/304, 316L/1.4404

垫圈: PTFE, TFM (FDA 177.1550)

最高温度: -20°C到150°C(标准)-30°C到200°C(选项)

压力范围: 10-30bar(取决于密封材质和温度)

操作方式: 手动、气动、电动

表面处理: 内表面Ra0.6 μm, 外部喷砂

认证: PED/97/23/EC, 3A, FDA

自控配置: 过程控制器/阀门定位器, 0/4...20mA, 0 5/10V(详见控制器目录)(选项) 阀门顶部控制单元, AS-1 总线通讯, 接线端子连接(选项) 位置传感器PNP NPN(选项)

Size: 1"-4", DN25-DN100

Material: 1.4301/304, 316L/1.4404

Gaskets: PTFE/TFM (FDA 177.1550)

Temperature: -20°C to 150°C (Standard)  
-30°C - 200°C (Option)

Pressure: 10-30bar (Depending on seal material and temperature)

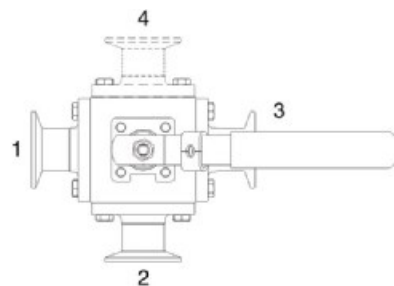
Operating modes: manual, pneumatic, electric

Surface finishing: Internal surface Ra0.6 μm, external surface sand blast.

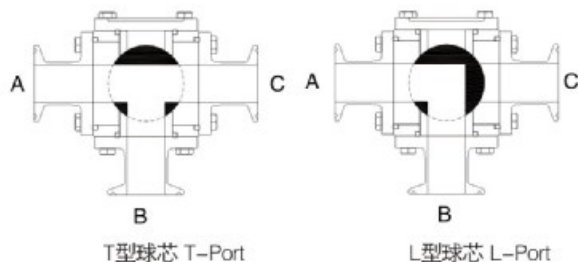
Certificate: PED/97/23/EC, 3A, FDA

Control: process controller, valve positioning (see controller directory)

C-TOP control unit, AS-1 Device Net bus communication terminal connection (options), position sensor PNP, NPN (options)



该球阀有四个方向通道(如图1、2、3、4)，我们可以根据客户需求，安装不同方向上不同数量的法兰。  
The ball valve has 4 directions (Figure 1,2,3,4) according to the customer, needs to install different number of flange in direct direction.



T型球芯 T-Port

L型球芯 L-Port

# 三通无滞留球阀

## Three-way non-retention ball valve



**气动无滞留球阀+定位器**  
Pneumatic three-way ball Valve + valve positioner

规格: 1/2"-4", DN10-DN100  
 输入: 0/4-20mA, 0-5/10V  
 输出: 0/4-20mA, 0-5/10V (位置反馈)  
 总线: DEVICE NET BUS 通讯  
 单作用/双作用  
 SIZE: 1/2"-4", DN10-DN100  
 Input: 0/4-20mA/0-5/10V  
 Output: 0/4-20mA/0-5/10V (Position sensor)  
 Bus: DEVICE NET BUS  
 Air/Spring, Air/Air



**不锈钢气动球阀**  
Pneumatic three-way ball valve+C-TOP

气动球阀+C-TOP  
 电源: DC 24V ± 10%  
 PLC连接自动化控制  
 单作用/双作用(选项)  
 基本版: 接线端子连接  
 总线: AS- I 总线 通讯(选项)  
 Pneumatic ball valve+C-TOP  
 Power: DC 24V ± 10%  
 PLC Connection automatically control  
 Single/double action (options)  
 Basic version: terminal block  
 Bus version: AS- I BUS  
 Device Net (options)



**气动三通球阀**  
Pneumatic three-way ball valve



**电动三通球阀**  
Electric three-way ball valve

开关型  
 智能型(4-20mA)  
 位置反馈型  
 电源 DC.24V  
 On/off type  
 Intelligent(4-20mA)  
 Position sensor  
 Power DC.24V

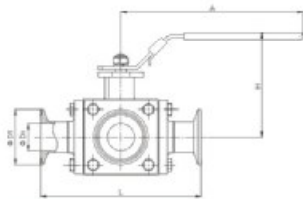


任意配置执行机构  
三通球阀

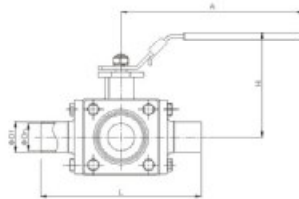
操作扭矩(N.m.) Operating Torque(N.m.)

SIZE	DN25/1"	DN40/1.5"	DN50/2"	2.5"-3"	DN65-3"	DN80	4"-DN100
扭矩	15	25	35	50	75	95	120

注意：选择执行器建议增加20%安全余量

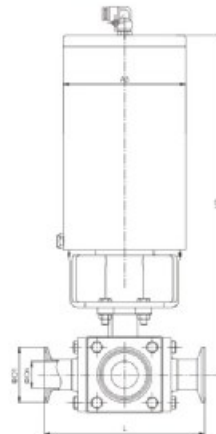


手动卡箍无滞留三通球阀  
NO.VQW210S1

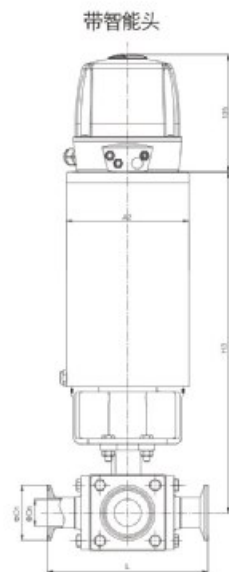


手动焊接无滞留三通球阀  
NO.VQW200S1

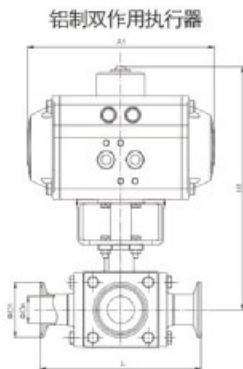
不锈钢气动执行器



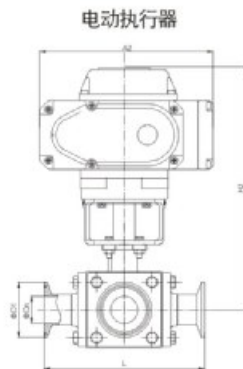
NO.VQW210Q1



NO.VQW211Q1



NO.VQW210Q2



NO.VQW210D1

INCH

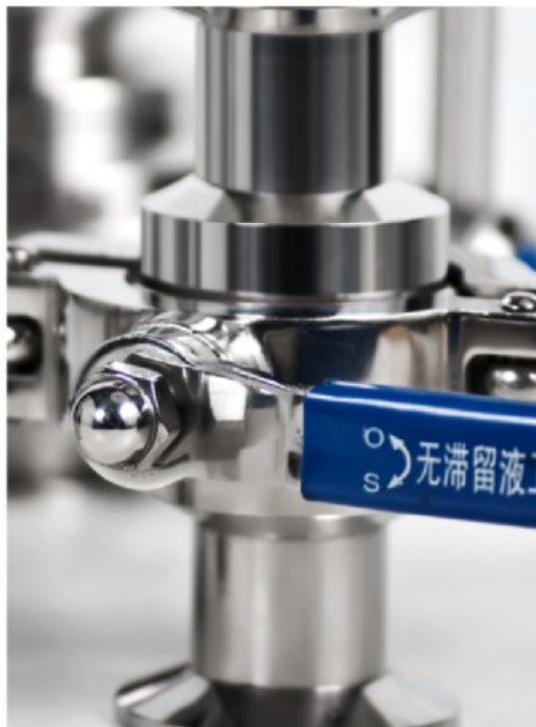
SIZE	ISO5211	φDn	φD	φD1	L	H	A	H1	A1	H2	A2	H3	A3
1"	F04/F05	22.4	25.4	50.5	148	92	165	210	190	240	165	247	86
1.25"	F04/F05	28.8	31.8	50.5	152	95	165	215	207	245	165	252	86
1.5"	F05/F07	35.1	38.1	50.5	180	100	165	234	207	252	165	312	113
2"	F05/F07	47.8	50.8	64	196	106	165	262	213	271	165	331	113
2.5"	F07/F10	59.5	63.5	77.5	252	116	236	274	213	314	212	380	133
3"	F07/F10	72.2	76.2	91	284	137	236	341	259	335	212	402	133
4"	F07/F10	97.6	101.6	119	323	165	236	396	287	565	259	448	166

DIN

SIZE	ISO5211	φDn	φD	φD1	L	H	A	H1	A1	H2	A2	H3	A3
DN25	F04/F05	25	28	50.5	148	92	165	210	190	240	165	247	86
DN32	F04/F05	31	34	50.5	152	95	165	215	207	245	165	252	86
DN40	F05/F07	37	40	50.5	180	100	165	234	207	252	165	312	113
DN50	F05/F07	49	52	64	196	106	165	262	213	271	165	331	113
DN65	F07/F10	66	70	91	264	132	236	288	213	328	212	394	133
DN80	F07/F10	81	85	106	300	145	236	376	287	545	259	428	166
DN100	F07/F10	100	104	119	323	165	236	396	287	565	259	448	166

# 卡箍无滞留球阀

## Non-retention ball valve



卡箍无滞留球阀  
Clamp Non-retention Ball Valve



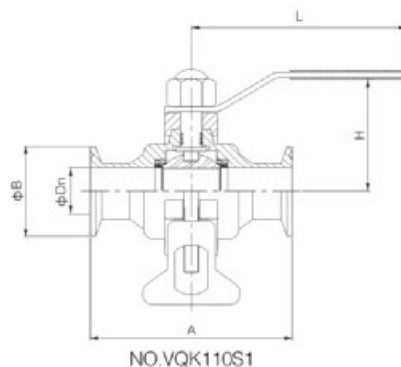
### 应用 Applications

无滞留球阀为全包式球座设计，解决了球阀液体滞留阀腔内的问题，该球阀适用于生物制药工程。

Overall valve body design prevents the medium from retaining in the valve after flowing through the body. This kind of ball valve is applied to pharmacy and biotechnology industries.

### 设计和特点 Design and Features

- ◆ 阀体组合卡箍连接
- ◆ 无需专业工具即拆卸阀门
- ◆ 操作扭矩小
- ◆ 垫圈根据FDA 177.2600
- ◆ 连接：卡箍、焊接、螺纹、DIN、SMS、ISO、IDF、BPE、RJT
- ◆ 无论是何种连接方式，阀体都可进行更换，而不会改变阀门的总长度
- ◆ Valve bodies Combined with clamp connection
- ◆ Easily disassemble without special tools
- ◆ Small Operating torque
- ◆ Gasket complies with FDA 177.2600
- ◆ Connection: clamp, weld, thread, DIN, SMS, ISO, IDF, BPE, RJT
- ◆ Valve body can be replaced in any connections. And Valve length will not change



SIZE	A	L	H	B	Dn
DN15	90	105	65	34.0	15
DN20	100	105	65	34.0	19
DN25	110	105	70	50.5	25
DN32	120	130	80	50.5	31
DN40	140	150	80	50.5	37
DN50	164	160	85	64.0	49
DN65	180	180	110	91.0	66

SIZE	A	L	H	B	Dn
Φ 19	90	105	65	25.4	16.0
Φ 25	110	105	70	50.5	22.4
Φ 32	120	105	80	50.5	28.8
Φ 38	140	130	80	50.5	35.1
Φ 51	164	150	85	64.0	47.8
Φ 57	170	160	110	77.5	53.0
Φ 63	180	180	110	77.5	59.5

# 直通球阀

## Direct way ball valve



阀腔清洗口



三通球阀  
1"-4", DN25-100



直通球阀  
1/2"-4", DN10-100

### 应用 Applications

无论是手动还是自动操作球阀，主要应用于加工饮料、酿酒、炼油、化妆品和化学工业。

It is widely used in beverage, breweng, oil refinery, cosmetic, chemical industries..

### 设计和特点 Design and Features

- ◆ 无需维护
  - ◆ 比其他的阀门更小更轻
  - ◆ 操纵扭矩小
  - ◆ 垫圈根据PTFE FDA 177.2600
  - ◆ 无论液体是何种流向，手柄可以安装在侧边的阀体上
  - ◆ 无论是何种连接方式，阀体都可更换，而且不会改变阀门的总长度
  - ◆ 连接：螺纹、焊接、卡箍、法兰、DIN、SMS、RJT、FIL
  - ◆ 可装配气动执行器，电动执行器
  - ◆ 物料接触部位AISI, 304/316L
  - ◆ 其它部位 AISI 304
  - ◆ 认证：PED, 97/23EC
- 
- ◆ Free of maintenances
  - ◆ Compact and portable
  - ◆ Small operating torque
  - ◆ Gasket complies with PTFE FDA 177.2600
  - ◆ Hand lever can be installed on the side of the valve body, no matter of the flow direction.
  - ◆ Connection ends: thread, clamp ,weld, flange, DIN, SMS, RJT, FIL.
  - ◆ It can be installed with pneumatic and electric actuators.
  - ◆ The part contacted with media is AISI 304/316L
  - ◆ Other parts AISI 304
  - ◆ Certifications: PED, 97/23/EC

### 选项 Options

- ◆ 球芯类型：T型、L型
- ◆ 带清洗排泄口
- ◆ 材质：AISI 304 316L
- ◆ Ball: T port, L port
- ◆ With cleaning and drainage port
- ◆ Material: AISI 304, 316L

# 球阀 Ball valve



**气动球阀+定位器**  
流量调节式球阀  
输入/输出:0/4-20mA  
1"-4",DN25-DN100  
Pneumatic ball valve+  
Positioner  
Flow regulating valve  
Input/output: 0/4-20mA  
1"-4", DN25-DN100



**气动球阀  
+控制单元**  
1/2"-1", DN10-DN25  
材质: 304/316L  
电源: DC24V  
总线: AS-I BUS  
详细请查阅自控阀目录册  
  
Pneumatic Valve +  
MINI-C-TOP  
SIZE 1/2"-1", DN10-DN25  
Material: 304 / 316L  
Feedback Output: 0 / 4-  
20mA / DC24V  
Bus: AS-I BUS  
For details, please consult  
the controller catalogon



**卧式气动三通球阀**  
SIZE: 1/2"-4",  
DN10-DN100  
连接方式: 卡箍、螺纹、  
焊接  
Horizontal pneumatic  
ball valve  
1/2 "-4", DN10-DN100  
Connection: welding,  
clamp, thread, etc.



**气动球阀  
+控制单元**  
SIZE: 1"-4",DN25-DN100  
材质: 304/316L  
电源: DC24V  
总线: AS-I BUS  
详细请查阅自控阀目录册  
  
Pneumatic Valve + C-TOP  
SIZE 1/2"-1", DN10-DN25  
Material: 304 / 316L  
Feedback Output: 0 / 4-  
20mA / DC24V  
Bus: AS-I BUS  
For details, please consult  
the controller catalogon



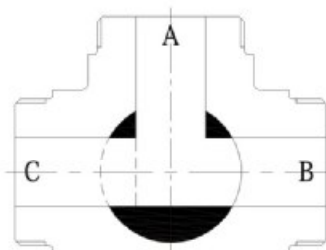
**卧式气动球阀  
+定位器**  
流量调节式球阀  
输入/输出: 0/4-20mA  
电源: DC24V  
支持总线: DEVICE NET BUS  
防护: IP67  
SIZE: 1"-4", DN25-DN100  
  
Pneumatic ball valve+  
positioner  
Flow regulating valve  
input/output: 0/4-20mA  
1"-4", DN25-DN100



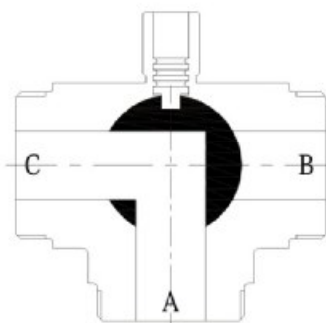
**电动球阀开关型:**  
  
Electric valve  
Switch type:  
Output electrical signal, valve  
position lights in place  
Modulating  
Input: 4-20mA  
Feedback Output: electrical  
Power: DC24V AC110V / 220V  
Explosion levels: EXDII BT4  
(option)



三通球阀流体示意图 Ball Type



T型球芯 T Port



L型球芯 L Port



### DONJOY创新支架 专利保护

该支架可满足于各种电动、立式气动、卧式气动等多种执行器

ISO5211安装

手动、气动易互换

DONJOY innovative stent patent protection

The bracket can meet a variety of electric, pneumatic vertical, horizontal pneumatic and other actuators.

ISO5211 installation

Pneumatic manual interchangeable

### 直通球阀操作扭矩(N.m.) Operating Torque(N.m.)

SIZE	1"-3/4"	DN25/1"	DN32-1 1/4"	DN40/1.5"	DN50/2"	2.5"-DN65	3"	DN80	4"-DN100
扭矩	6	8	10	12	18	35	65	75	80

注意：选择执行器建议增加20%安全余量

### 三通球阀操作扭矩(N.m.) Operating Torque(N.m.)

SIZE	DN25/1"	DN40/1.5"	DN50/2"	2.5"	DN65-3"	DN80	4"-DN100
扭矩	12	20	25	40	65	80	90

注意：选择执行器建议增加20%安全余量

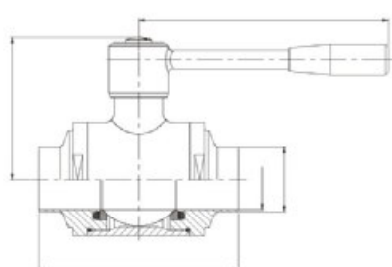


# 直通球阀

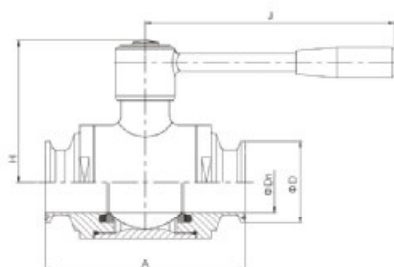
## Direct way ball valve

### 手动球阀尺寸图

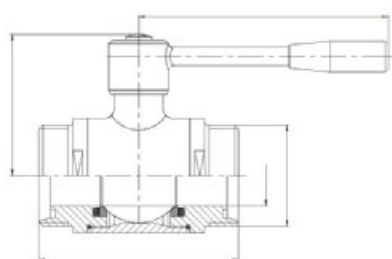
### Manual ball valve Dimension



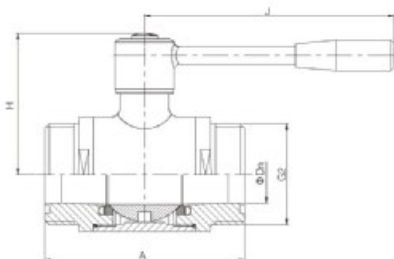
焊接式  
NO.VQC100S1



卡箍式  
NO.VQC110S1



DIN螺纹  
NO.DIN-VQC130S1



SMS螺纹  
NO.SMS-VQC130S1



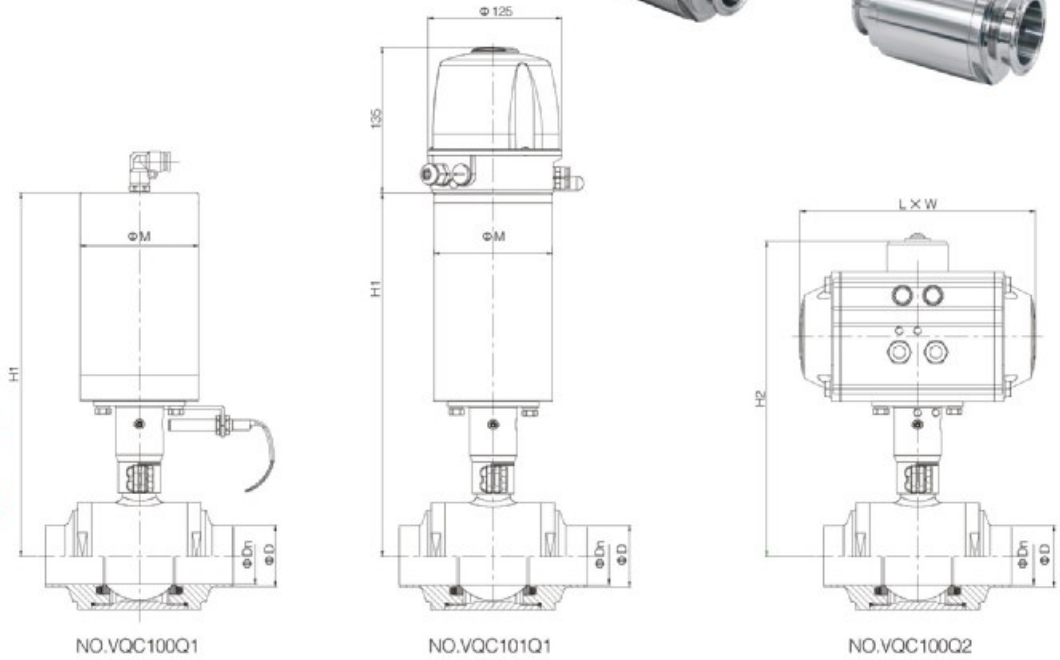
DIN直通 Direct way ball valve							
Size	Dn	D	D1	A	H	J	螺纹G1(DIN)
DN10	9.7	13	34	95	58	126.5	Rd28 × 1/8"
DN15	16	19	34	95	58	126.5	Rd34 × 1/8"
DN20	19	22	34	95	58	126.5	Rd44 × 1/6"
DN25	25	28	50.5	100	68	126.5	Rd52 × 1/6"
DN32	31	34	50.5	108	70	126.5	Rd58 × 1/6"
DN40	37	40	50.5	123	83	164.5	Rd65 × 1/6"
DN50	49	52	64	136	89	164.5	Rd78 × 1/6"
DN65	66	70	91	162	113	184.5	Rd95 × 1/6"
DN80	81	85	106	180	123	233	Rd110 × 1/4"
DN100	100	104	119	206	137	233	Rd130 × 1/4"

INCH直通 Direct way ball valve							
Size	Dn	D	D1	A	H	J	螺纹G2(SMS)
1/2"	9.7	12.7	25.4	95	58	126.5	-
3/4"	16.1	19.1	25.4	95	58	126.5	Rd36 × 1/8"
1"	22.4	25.4	50.5	100	68	126.5	Rd40 × 1/6"
1 1/4"	28.8	31.8	50.5	108	70	126.5	Rd48 × 1/6"
1 1/2"	35.1	38.1	50.5	123	83	164.5	Rd60 × 1/6"
2"	47.8	50.8	64	136	89	164.5	Rd70 × 1/6"
2 1/2"	59.5	63.5	77.5	150	113	184.5	Rd85 × 1/6"
3"	72.2	76.2	91	172	123	184.5	Rd98 × 1/6"
4"	97.6	101.6	119	206	137	233	Rd125 × 1/4"

气动球阀尺寸图  
Pneumatic ball valve Dimension



附：阀体类型选择及数据  
请参考左图手动类型  
Body type with reference  
manual ball valve



DIN						
Size	Dn	D	H1	H2	M	LXW
DN10	9.7	13	224	183.5	86	158x71
DN15	16	19	224	183.5	86	158x71
DN20	19	22	224	183.5	86	158x71
DN25	25	28	244	193.5	86	158x71
DN32	31	34	246	195.5	86	158x71
DN40	37	40	272	232.5	86	158x71
DN50	49	52	280	241.5	86	190x81
DN65	66	70	360	291	113	213x98.5
DN80	81	85	407	312	133	259x108.5
DN100	100	104	442.5	327.5	166	259x108.5

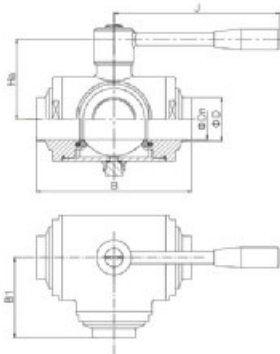
INCH						
Size	Dn	D	H1	H2	M	LXW
0.5"	9.7	12.7	224.5	183.5	86	158x71
0.75"	16.1	19.1	224.5	183.5	86	158x71
1"	22.4	25.4	234.5	193.5	86	158x71
1 1/4"	28.8	31.8	236.5	195.5	86	158x71
1 1/2"	35.1	38.1	272	232.5	86	158x71
2"	47.8	50.8	280	244.5	86	190x81
2 1/2"	59.5	63.5	348	270	113	207x94
3"	72.2	76.2	402	296	133	213x98.5
4"	97.6	101.6	442.5	327.5	166	259x108.5

# 三通球阀

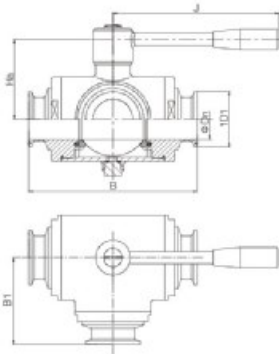
## Three way ball valve

### 手动球阀尺寸图

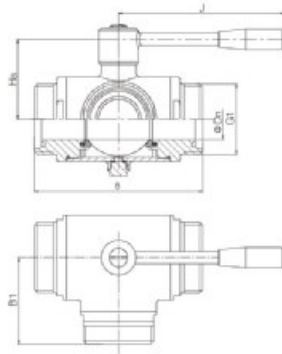
#### Manual ball valve Dimension



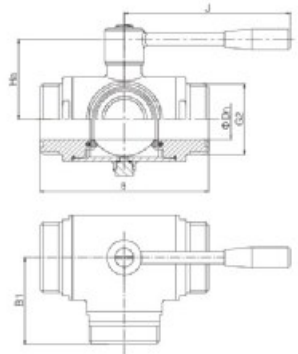
焊接式 Welding  
NO.VQC200S1



卡箍式 Clamp  
NO.VQC210S1



DIN螺纹式 DIN threaded  
NO.DIN-VQC230S1



SMS螺纹式 SMS threaded  
NO.SMS-VQC230S1

#### DIN三通 Three links ball valve

Size	Dn	D	D1	B	B 1	Ha	J	螺纹G1(DIN)
DN10	9.7	13	34	136	68	73	126.5	Rd28 × 1/8"
DN15	16	19	34	136	68	73	126.5	Rd34 × 1/8"
DN20	19	22	34	136	68	73	126.5	Rd44 × 1/6"
DN25	25	28	50.5	136	68	73	126.5	Rd52 × 1/6"
DN32	31	34	50.5	138	71	74	126.5	Rd58 × 1/6"
DN40	37	40	50.5	156	80	87	164.5	Rd65 × 1/6"
DN50	49	52	64	170	90	91	164.5	Rd78 × 1/6"
DN65	66	70	91	204	102	113	184.5	Rd95 × 1/6"
DN80	81	85	106	226	118	124	233	Rd110 × 1/4"
DN100	100	104	119	264	142	137	233	Rd130 × 1/4"

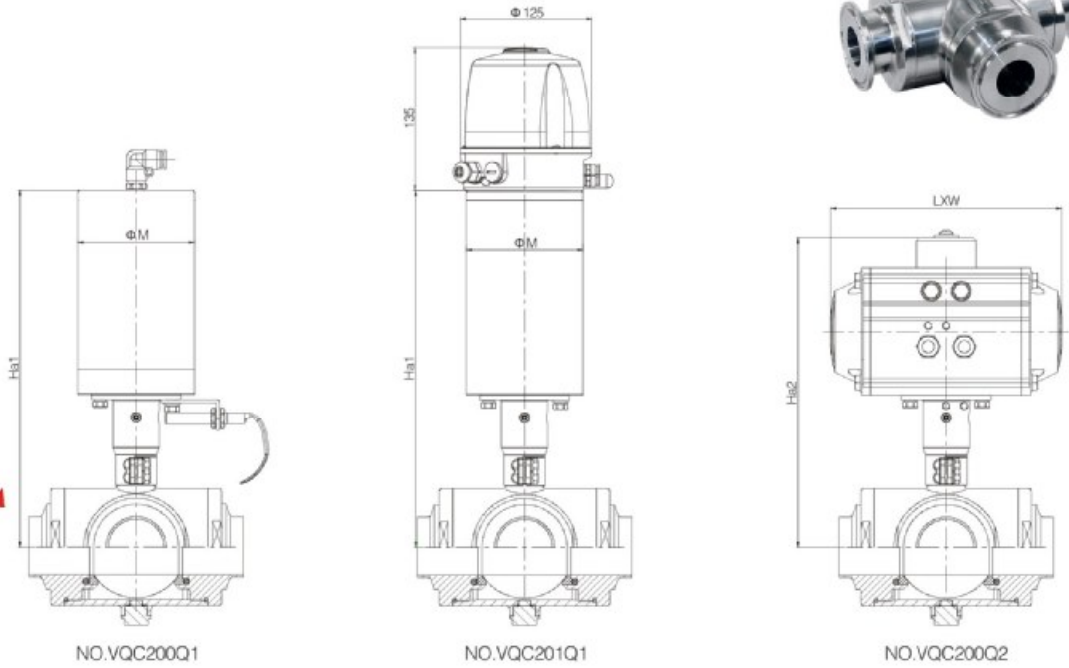
#### INCH三通 Three links ball valve

Size	Dn	D	D1	B	B 1	Ha	J	螺纹G2(SMS)
1/2"	9.7	12.7	25.4	136	68	73	126.5	-
3/4"	16.1	19.1	25.4	136	68	73	126.5	Rd36 × 1/8"
1"	22.4	25.4	50.5	136	68	73	126.5	Rd40 × 1/6"
1 1/4"	28.8	31.8	50.5	138	71	74	126.5	Rd48 × 1/6"
1 1/2"	35.1	38.1	50.5	156	80	87	164.5	Rd60 × 1/6"
2"	47.8	50.8	64	170	90	91	164.5	Rd70 × 1/6"
2 1/2"	59.5	63.5	77.5	194	102	102	184.5	Rd85 × 1/6"
3"	72.2	76.2	91	220	118	120	184.5	Rd98 × 1/6"
4"	97.6	101.6	119	264	142	137	233	Rd125 × 1/4"

气动球阀尺寸图  
Pneumatic ball valve Dimension



附：阀体类型选择及数据  
请参考左图手动类型  
Body type with reference  
manual ball valve



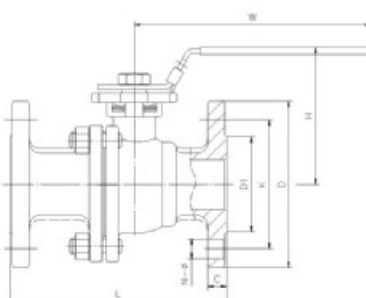
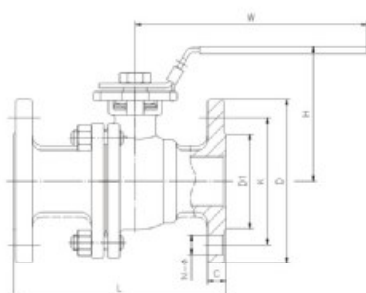
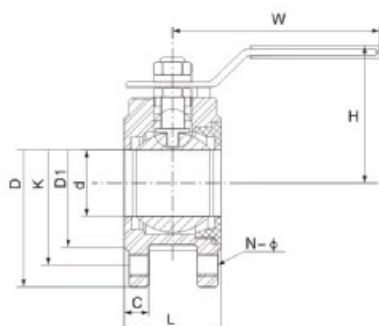
DIN						
Size	Dn	D	Ha1	Ha2	M	LXW
DN10	9.7	13	239	198.5	86	158x71
DN15	16	19	239	198.5	86	158x71
DN20	19	22	239	198.5	86	158x71
DN25	25	28	239	198.5	86	158x71
DN32	31	34	240	213.5	86	190x81
DN40	37	40	278	251.5	86	190x81
DN50	49	52	339	261	113	207x94
DN65	66	70	365	296	113	213x98.5
DN80	81	85	434	319	166	259x108.5
DN100	100	104	450	335.5	166	259x108.5

INCH						
Size	Dn	D	Ha1	Ha2	M	LXW
0.5"	9.7	12.7	239	198.5	86	158x71
0.75"	16.1	19.1	239	198.5	86	158x71
1"	22.4	25.4	239	198.5	86	158x71
1 1/8"	28.8	31.8	240	213.5	86	190x81
1 1/2"	35.1	38.1	278	251.5	86	190x81
2"	47.8	50.8	339	261	113	207x94
2 1/2"	59.5	63.5	354	276	113	207x94
3"	72.2	76.2	407	301	133	213x98.5
4"	97.6	101.6	450	335.5	166	259x108.5

# 工业级阀门 Industrial valve



## 主要外形尺寸 Main size



## 薄型法兰球阀 Wafer Type Flanged Ball Valve

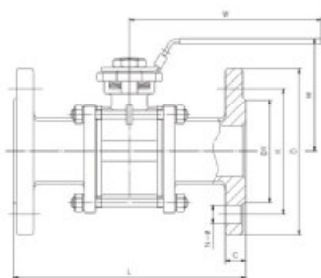
DN	d	L	D	K	D1	C	H	N-φ	W
15	15	35	95	65	45	10	65	4-M12	100
20	20	37	105	75	55	11	70	4-M12	110
25	25	42	115	85	65	12	80	4-M12	125
32	32	53	135	100	76	14	90	4-M16	150
40	38	62	160	110	85	16	96	4-M16	160
50	50	78	180	125	100	17	104	4-M16	180
65	58	90	195	145	118	18	110	4-M16	200

## 国标高平台法兰球阀(防火型) GB Flange Ball Valve With High Mounting Pad(Fire Safe)

INCH	DN	L	D	K	D1	N-φ	C	W
1/2"	15	108	95	65	45	4-14	14	140
3/4"	20	117	105	75	55	4-14	14	140
1"	25	127	115	85	65	4-14	14	165
1 1/4"	32	140	135	100	78	4-18	16	165
1 1/2"	40	165	145	110	85	4-18	16	190
2"	50	178	160	125	100	4-18	16	210
2 1/2"	65	190	180	145	120	4-18	18	240
3"	80	203	195	160	135	8-18	20	260
4"	100	229	215	180	155	8-18	20	320
5"	125	356	245	210	185	8-18	22	520
6"	150	394	280	240	210	8-23	24	600
8"	200	457	335	295	265	12-23	26	800
10"	250	533	405	355	320	12-25	30	1000
12"	300	610	460	410	375	12-25	30	1200

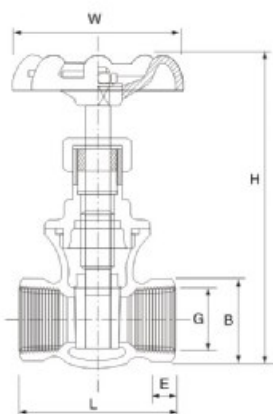
## 日标高平台法兰球阀(防火型) JIS Flange Ball Valve With High Mounting Pad(Fire Safe)

INCH	DN	H	W	L	D	K	D1	C	N-φ
1/2"	15	65	140	108	95	70	52	12	4-15
3/4"	20	72	140	117	100	75	58	14	4-15
1"	25	83	165	127	125	90	70	14	4-19
1 1/4"	32	90	165	140	135	100	80	16	4-19
1 1/2"	40	100	190	165	140	105	85	16	4-19
2"	50	110	210	178	155	120	100	16	4-19
2 1/2"	65	130	240	190	175	140	120	18	4-19
3"	80	140	260	203	185	150	130	18	8-19
4"	100	165	320	229	210	175	155	18	8-19
5"	125	250	600	356	250	210	185	20	8-23
6"	150	270	600	394	280	240	125	22	8-23
8"	200	320	800	457	330	290	265	22	12-23



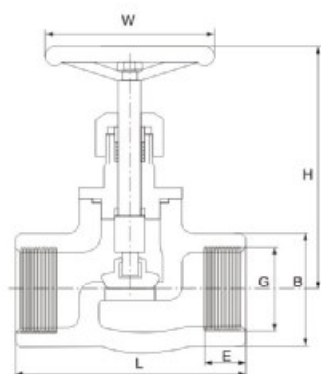
三片式法兰球阀  
3PC Flange Ball Valve

DN	B	L	H	W	D	K	D1	C	N-φ	D	K	D1	C	N-φ	D	K	D1	C	N-φ
15	15	130	75	130	95	65	45	14	4-14	95	65	45	16	4-14	89	60.5	35	10	4-15
20	20	150	80	140	105	75	58	16	4-14	105	75	58	18	4-14	96	70	43	11	4-15
25	25	160	85	150	115	85	68	16	4-14	115	85	68	18	4-14	108	79.5	51	12	4-15
32	32	180	100	170	140	100	78	16	4-18	140	100	78	18	4-18	117	89	64	13	4-15
40	38	200	110	200	150	110	88	16	4-18	150	110	88	18	4-18	127	98.5	73	15	4-15
50	50	230	120	220	165	125	102	18	4-18	165	125	102	20	4-18	152	120.5	92	16	4-19
65	65	250	130	280	185	145	122	18	4-18	185	145	122	22	8-18	179	139.5	105	18	4-19
80	78	280	140	300	200	160	138	20	8-18	200	160	138	24	8-18	190	152.5	127	19	4-19
		310																	
100	100	320	160	340	220	180	158	20	8-18	235	190	162	24	8-22	229	190.5	157	24	8-19
		350																	



不锈钢内螺纹闸阀  
Stainless steel female gate Valve

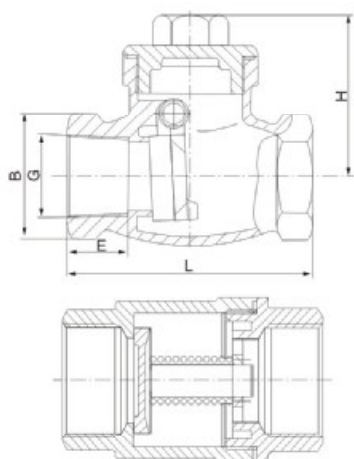
DN	G	L	E	B	H	W
15	1/2"	55	16	31	90	70
20	3/4"	60	18	38	98	70
25	1"	68	20	46	108	70
32	1 1/4"	76	21.5	56	128	80
40	1 1/2"	80	23	63	152	100
50	2"	93	24.5	76	166	100



美式内螺纹截止阀  
American Type Female Globe Valve

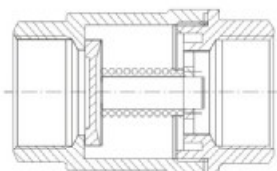
DN	G	L	E	B	H	W
8	1/4"	65/68	15	23	80	70
10	3/8"	65/68	15	26	80	70
15	1/2"	65/65	16	31	88	70
20	3/4"	70/75	18	38	95	70
25	1"	80/90	20	46	110	80
32	1 1/4"	90/105	21.5	56	123	100
40	1 1/2"	100/120	23	63	135	100
50	2"	120/140	24.5	76	150	100

# 工业级阀门 Industrial valve



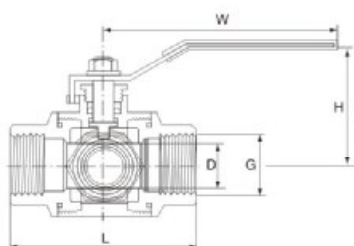
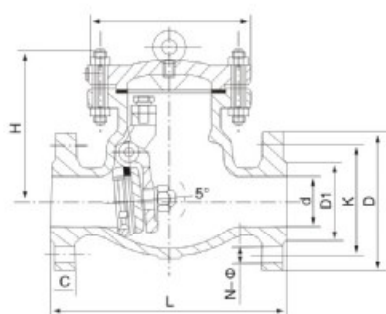
内螺纹止回阀  
Female Check Valve

DN	G	L	E	B	H
8	1/4"	64	10	24	42
10	3/8"	64	10	24	42
15	1/2"	64	12	26	45
20	3/4"	80	17	32	53
25	1"	90	20	40	60
32	1 1/4"	105	20	51	64
40	1 1/2"	120	20	58	76
50	2"	140	23	69	82
65	2 1/2"	165	27	86	89



旋启式法兰止回阀  
Flange Swing Check Valve

DN	PN16 Class 150/10k																
	L		D	K	D1	C	N-φ	D	K	D1	C	N-φ	D	K	D1	C	N-φ
25	160	127	115	85	65	14	4-14	108	79.5	51	12	4-15	125	90	70	14	4-19
32	180	140	135	100	78	16	4-18	117	89	64	13	4-15	135	100	80	16	4-19
40	200	165	145	110	85	16	4-18	127	98.5	73	14.5	4-15	140	105	85	16	4-19
50	230	203	180	125	100	16	4-18	152	120.5	92	16	4-19	155	120	100	16	4-19
65	290	216	180	145	120	18	4-18	178	139.5	105	17.5	4-19	175	140	120	18	4-19
80	310	241	195	160	135	20	8-18	190	152.5	127	19	4-19	185	150	130	18	8-19
100	350	292	215	180	155	20	8-18	229	190.5	157	24	8-19	210	175	155	18	8-19
125	400	330	245	210	185	22	8-18	254	216	186	24	8-23	250	210	185	20	8-23
150	480	356	280	240	210	24	8-23	279	241.5	216	25.4	8-23	280	240	215	22	8-23
200	550	495	335	295	265	26	12-23	343	298.5	270	29	8-23	330	290	265	22	12-23
250	560	622	405	355	320	30	12-25	406	362	324	30.5	12-25	400	355	325	24	12-25
300	750	698	460	410	375	30	12-25	483	431.8	381	32	12-25	445	400	370	24	16-25

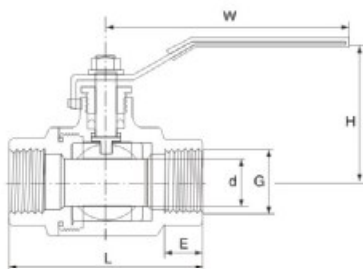


内螺纹三通球阀  
Female Three Way Ball Valve

DN	G	d	L	H	W
8	1/4"	74	10	58	110
10	3/8"	74	12	58	110
15	1/2"	74	12	58	110
20	3/4"	88	15	60	120
25	1"	92	20	70	140
32	1 1/4"	124	25	82	140
40	1 1/2"	138	32	95	180
50	2"	154	38	100	200

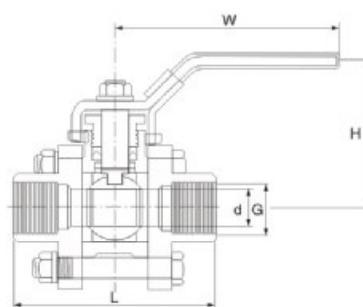


### 二片式内螺纹球阀 Two-Piece Ball Valve



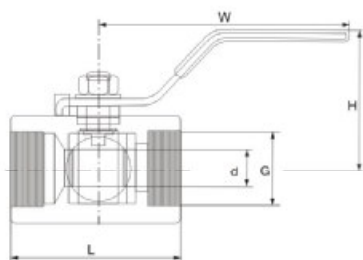
DN	G	d	L		E	H	W
			①	②-M3			
8	1/4"	10	55	55	11.5	50	90
10	3/8"	12	55	60	11.5	50	90
15	1/2"	15	63	75	14	58	90
20	3/4"	20	73	80	15	62	110
25	1"	25	84	90	15	72	120
32	1 1/4"	32	98	110	18	80	130
40	1 1/2"	38	106	120	19	90	150
50	2"	50	121	140	19	98	170
65	2 1/2"	64	146	185	23	125	220
80	3"	78	166	205	25	138	240
100	4"	100	204	240	28	156	300

### 三片式内螺纹球阀 Three-Piece Ball Valve



DN	G	d	L	H	W
8	1/4"	10	65	50	90
10	3/8"	12	65	50	90
15	1/2"	15	70/75/61	55	100
20	3/4"	20	80/80/68	60	120
25	1"	25	90/90/80	70	140
32	1 1/4"	32	110/110/96	82	140
40	1 1/2"	38	120/120/104	90	180
50	2"	50	140/140/125	105	200
65	2 1/2"	64	160/185	120	220
80	3"	78	180/205	132	240
100	4"	100	215/240	160	300

### 一片式内螺纹球阀 One-Piece Ball Valve



DN	G	d	L	H	W
8	1/4"	5	40	28	70
10	3/8"	7	45	30	70
15	1/2"	9	55	34	90
20	3/4"	12	60	38	90
25	1"	15	70	50	110
32	1 1/4"	20	80	56	120
40	1 1/2"	25	86	60	130
50	2"	32	101	65	140
65	2 1/2"	38	117	72	170
80	3"	50	140	105	185





# CHINA DONJOY TECHNOLOGY CO.,LTD.

DONJOY looking forward to your visit! Your telecommunications!



中国·东正  
科技有限公司

地址:温州龙湾区空港新区港富路25号  
总机: 0577-86990888  
传真: 0577-86998000

Add : No.25 Gang fu Road,  
kong gang new District,  
Longwan Wenzhou,China  
Tel: +86-577-86990888  
Fax: +86-577-86998000  
E-mail: donjoy@cndonjoy.com

[www.cndonjoy.com](http://www.cndonjoy.com)

法律声明:

目录样册版本属东正所有, 如有抄袭东正将追究其法律责任和经济赔偿。  
东正众多技术设计, 都具有专利保护, 如有抄袭, 东正必将追究法律责任和经济赔偿。